

Supplementary Drawings

Unalaska Library

City of Unalaska
Unalaska, Alaska

ADDENDA
INCORPORATED

Detail Book

April 10, 1998

AS-BUILT

**LIVINGSTON
SLONE**
ARCHITECTURE
ENGINEERING
PLANNING
INTERIOR DESIGN
PROJECT MANAGEMENT

(21)

Supplementary Drawings
Detail Book
Unalaska Library

City of Unalaska
Unalaska, Alaska

April 10, 1998

Prepared by:

Livingston Slone Inc.
3900 Arctic Boulevard, Suite 301
Anchorage, Alaska 99503
(907) 562 2058

Thomas W. Livingston
Principal in Charge

Jack Bailey
Project Architect

Copyright © 1998 by Livingston Slone, Inc.™
all rights reserved. All parts of this document
and the design it represents are instruments of
service. Without the expressed, written
permission of Livingston Slone, Inc. they remain
it's exclusive property, and shall not be
used, reproduced, or stored in any form.
The "Livingston Slone, Inc.™" name and logo
are trademarks of Livingston Slone, Inc.™

Supplementary Drawings
Detail Book

Unalaska Library

City of Unalaska

Unalaska, Alaska

April 10, 1998

Professional Stamps

Architect

Livingston Slone Inc



Structural Engineer

BBFM Engineers, Inc.



Mechanical Engineer

MBA Consulting Engineers, Inc.



Electrical Engineer

MBA Consulting Engineers, Inc.



Note:

1. Professional Stamps apply to appropriate disciplines.
2. Drawings and Details in this Detail Book are in addition to and supplement the Drawing.

000 Detail Book Table of Contents
001 Detail Book Table of Contents
002 Detail Book Table of Contents
003 Detail Book Table of Contents
004 Detail Book Table of Contents
005 Detail Book Table of Contents
006 Detail Book Table of Contents

100 Keynote Reference Sheet
101 Keynote Reference Sheet
102 Keynote Reference Sheet
103 Keynote Reference Sheet
104 Keynote Reference Sheet
105 Keynote Reference Sheet
106 Keynote Reference Sheet

110 Abbreviations
111 Abbreviations

A SUBSTRUCTURE

A1 Foundations

A1-100 Typical Foundation Wall
A1-101 Typical Screen Wall Foundation
A1-102 Strip Footing Step

A1-110 Typical Perimeter Column Pier and Footing
A1-111 Typical Interior Column Pier and Footing
A1-112 Typical Exterior Column Pier and Footing
A1-113 Exterior Column Pier at Grids A-1 and A-8
A1-114 Column Pier at Fan Room Screen Wall

A1-120 Typical Slab-on-grade Control Joint
A1-121 Typical Slab-on-grade Construction Joint
A1-122 Typical Housekeeping Pad
A1-123 Header Duct at Perimeter Wall
A1-124 Depressed Data Floor Slab
A1-125 Data Floor Slab to Foundation Wall
A1-126 Data Floor Slab at Perimeter Column

DETAIL BOOK TABLE OF CONTENTS

SCALE: None

PROJECT NO.: 714.10
DRAWN BY: JB
CHECKED BY:
DATE: APRIL 10, 1998



Unalaska Library

CROSS REF: DETAIL NUMBER:

000

B SHELL

B1 Superstructure

- B1-101 Typical Gable Detail
- B1-102 Typical Floor Edge Detail
- B1-103 Roof at Fan Room Wall

- B1-110 Steel Joist to "W" Girder at Eave
- B1-111 Steel Joist to Intermediate Beam
- B1-112 Steel Joist to "W" Girder at Ridge
- B1-113 Steel Joist to Tube Steel Column
- B1-114 Roof Ridge at Fan Room

- B1-120 Typical Steel Beam Connection Table
- B1-121 Typical Beam to "W" Girder
- B1-122 Typical Skewed Beam to "W" Girder
- B1-123 Sloped "W" Beam to "W" Girder
- B1-124 Sloped Exit Beam to Floor Girder
- B1-125 Fan Room Roof Peak

- B1-130 Typical Steel Beam to Tube Steel Column
- B1-131 "W" Beam to Tube Steel Column
- B1-132 Typical "W" Girder over Tube Steel Column

- B1-140 Tube Steel Brace to "W" Beam
- B1-141 Eccentric Tube Steel Brace to "W" Beam
- B1-142 Tube Steel Brace to "W" Beam and Tube Steel Column
- B1-143 Tube Steel Brace to "W" Girder and Tube Steel Column
- B1-144 Tube Steel Brace to Tube Steel Column Base

- B1-150 Walkway Bridge Glu-lam Beam and Grating
- B1-151 Glu-lam Beam to Glu-lam Beam
- B1-152 Glu-lam Beam to Concrete Wall

- B1-160 Additive Alternate Number 1 - Typical Bridge Roof Eave
- B1-161 Additive Alternate Number 1 - Pavilion Roof Eave
- B1-162 Additive Alternate Number 1 - Timber Post at Concrete Base
- B1-163 Additive Alternate Number 1 - Steel Post at Glu-lam Beam

- B1-170 Additive Alternate Number 1 - Truss HTT2 at Eave
- B1-171 Additive Alternate Number 1 - Truss HTT2 at Ridge

DETAIL BOOK TABLE OF CONTENTS

SCALE: None

PROJECT NO.: 714.10
DRAWN BY: JB
CHECKED BY:
DATE: APRIL 10, 1998



Unalaska Library

CROSS REF: DETAIL NUMBER:

001

- B1-172 Additive Alternate Number 1 - Truss HTT1 Web to Chord
- B1-173 Additive Alternate Number 1 - Truss HTT1 Web to Chord
- B1-174 Additive Alternate Number 1 - Truss HTT1 Web to Chord

B2 Exterior Enclosure

B2-100 Exterior Walls

- B2-100 Wall Type 1
- B2-101 Wall Type 2
- B2-102 Wall Type 3
- B2-103 Wall Type 4 - Additive Alternate 1

- B2-110 Typical Exterior Wall at Foundation
- B2-111 Typical Exterior Wall Flashing
- B2-112 Typical Wall at Outside Corner
- B2-113 Typical Wall at Inside Corner
- B2-114 Column Plan
- B2-115 Column Elevation
- B2-116 Exterior Wall at Adult Reading 2 Room 120

- B2-120 Pavilion Wall Section - Additive Alternate 1
- B2-121 Pavilion Corner Plan - Additive Alternate 1

B2-200 Exterior Windows

- B2-200 Typical Exterior Window Head
- B2-201 Typical Exterior Window Jamb
- B2-202 Typical Exterior Window Sill
- B2-203 Typical Exterior Window Elevation
- B2-204 Exterior Window Head - Additive Alternate 1
- B2-205 Exterior Window Jamb - Additive Alternate 1
- B2-206 Exterior Window Sill - Additive Alternate 1
- B2-207 Exterior Louver Head
- B2-208 Exterior Louver Jamb
- B2-209 Exterior Louver Sill

B2-300 Exterior Doors

- B2-300 Typical Exterior Door Head
- B2-301 Typical Exterior Door Jamb
- B2-302 Exterior Door Threshold at Entry 101
- B2-303 Exterior Door Threshold Concrete Landing
- B2-304 Exterior Door Threshold at Fan Room 201
- B2-305 Exterior Door Threshold at Adult Room 120

DETAIL BOOK TABLE OF CONTENTS

SCALE: None

PROJECT NO.: 714.10
 DRAWN BY: JB
 CHECKED BY:
 DATE: APRIL 10, 1998



Unalaska Library

CROSS REF: DETAIL NUMBER:

002

- B2-310 Exterior Door Head - Additive Alternate 1
- B2-311 Exterior Door Jamb - Additive Alternate 1
- B2-312 Exterior Door Threshold - Additive Alternate 1

B3 Roofing

B3-100 Roof Coverings

- B3-100 Roof Type 1
- B3-101 Roof Type 2 - Additive Alternate 1

- B3-110 Typical Roof Eave
- B3-111 Typical Roof Rake
- B3-112 Typical Roof Rake Elevation
- B3-113 Roof Eave at Gutter
- B3-114 Typical Roof Eave at Soffitt
- B3-116 Staff Entry Soffit/Exhaust Air
- B3-119 Fan Room Sidewall at Roof Ridge
- B3-120 Fan Room Sidewall
- B3-121 Typical Roof Eave Flashing
- B3-122 Typical Rake Flashing
- B3-123 Typical Roof Ridge
- B3-124 Roof Eave at Gutter Outfall

- B3-130 Roof Eave at Gutter Outfall/Column
- B3-131 Roof Eave at Gutter Outfall Elevation

- B3-150 Roof Eave at Walkway - Additive Alternative 1
- B3-151 Roof Eave at Walkway/Pavilion - Additive Alternative 1
- B3-153 Walkway Roof Ridge - Additive Alternative 1
- B3-155 Walkway Roof Rake (Additive Alternative 1)

C INTERIORS

C1 Interior Construction

C1-100 Interior Floors/Partitions

- C1-100 Floor Type F1
- C1-101 Floor Type F2
- C1-102 Floor Type F3

- C1-110 Partition Symbol Key
- C1-111 Partition Type A
- C1-112 Partition Type B

DETAIL BOOK TABLE OF CONTENTS

SCALE: None

PROJECT NO.: 714.10
DRAWN BY: JB
CHECKED BY:
DATE: APRIL 10, 1998



Unalaska Library

CROSS REF: DETAIL NUMBER:

003

C1-113 Partition Type C

C1-200 Interior Doors

- C1-200 Typical Interior Door Head
- C1-201 Typical Interior Door Jamb
- C1-202 Typical Interior Window Head (Jamb Sim.)
- C1-203 Typical Interior Window Sill
- C1-204 Typical Interior Window Mullion

C1-300 Interior Specialties

- C1-300 Men's 115/Women's 116 Counter Section
- C1-302 Interior Elevation - Meeting Room 107
- C1-304 Elevations - Break Area 112/Copy Area 115
- C1-306 Copy 115 - Pass-Thru
- C1-307 Copy 115 - Pass-Thru Elevation

C2 Stairways

C2-100 Stair Construction

- C2-100 Fan Room Stair Section
- C2-101 Typical Fan Room Stair Tread/Riser
- C2-102 Fan Room Handrail Section
- C2-106 Wall Mounted Stair Handrail
- C2-107 Fan Room Guardrail Section
- C2-110 Walkway Guardrail Elevation
- C2-111 Walkway Guardrail Section - Additive Alternate 1

C3 Interior Finishes

C3-100 Interior Wall Finishes

- C3-100 Toilet Accessory Mounting Heights
- C3-101 Plumbing Fixture Mounting Heights
- C3-102 Interior Elevations - Men's 105
- C3-103 Interior Elevations - Men's 105
- C3-104 Interior Elevations - Women's 106
- C3-105 Interior Elevations - Women's 106

C3-200 Interior Floor Finishes

C3-300 Interior Ceiling Finishes

- C3-302 Diagrammatic ACP Ceiling Framing Plan
- C3-303 Diagrammatic GWB Ceiling Framing Plan

DETAIL BOOK TABLE OF CONTENTS

SCALE: None

PROJECT NO.: 714.10
DRAWN BY: JB
CHECKED BY:
DATE: APRIL 10, 1998



Unalaska Library

CROSS REF: DETAIL NUMBER:

004

C3-304 Compression Strut Elevation/Plan
C3-305 Compression Strut Detail

D SERVICES

D1 Conveying Systems

D2 Plumbing Systems

D2-200 Diagrams
D2-200 Water Service Entry Detail

D2-300 Details
D2-300 Vent Thru Roof Detail
D2-301 Cleanout Detail

D3 HVAC Systems

D3-100 Details
D3-100 Above Ground Fuel Tank Detail
D3-102 Fuel Line Cover Detail

D3-500 2-Way Valve Coil Detail
D3-501 3-Way Valve Coil Detail
D3-502 Horizontal Unit Heater Detail
D3-503 Vertical Unit Heater Detail
D3-504 Cabinet Unit Heater Detail

D4 Fire Protection Systems

D5 Electrical Systems

D5-100 Diagrams
D5-100 One-Line Diagram
D5-200 Exterior Lighting Control Diagram

E EQUIPMENT AND FURNISHINGS

E1 Equipment

E2 Furnishings

F OTHER BUILDING CONSTRUCTION

F1 Special Construction

F2 Selective Demolition

DETAIL BOOK TABLE OF CONTENTS

SCALE: None

PROJECT NO.: 714.10
DRAWN BY: JB
CHECKED BY:
DATE: APRIL 10, 1998

CROSS REF: DETAIL NUMBER:



Unalaska Library

005

G BUILDING SITEWORK

G1 Site Preparation

G2 Site Improvements

G3 Site Plumbing Utilities

G4 Site HVAC Utilities

G5 Site Electrical Utilities

G5-300 Details

G5-300 Pole Base Detail

G6 Other Site Construction

DETAIL BOOK TABLE OF CONTENTS

SCALE: NONE

PROJECT NO.: 714.10

DRAWN BY: JB

CHECKED BY: -

DATE: 4/10/98

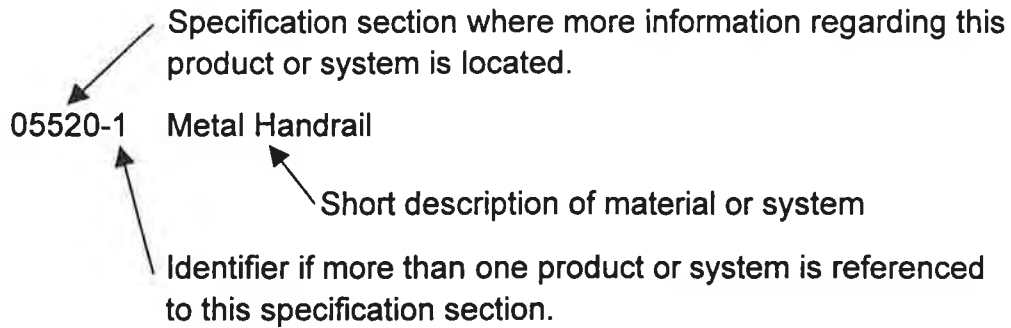
CROSS REF: DETAIL NUMBER:



Unalaska Library

006

LEGEND REGARDING KEYNOTES



Section
Title

DIVISION 2-SITWORK

Section 02100-Site Clearing and Preparation
Not Used

Section 02200-Earthwork for Buildings and Site Improvements
02200-1 4" Sand Bed or granular fill
02200-2 Shot Rock

Section 02221-Trenching for Utilities
Not Used

Section 02520-Concrete Curb, Sidewalk and HCP Parking Pad
02520-1 See Civil Dwgs
02520-2 See Civil Dwgs
02520-3 See Civil Dwgs

Section 02900-Landscaping
02900-1 See Landscape Dwgs
02900-2 See Landscape Dwgs

DIVISION 3-CONCRETE

Section 03300-Cast-In-Place Concrete
03300 See Structural Dwgs

KEYNOTE REFERENCE SHEET

SCALE: None

PROJECT NO.: 714.10
DRAWN BY: JB
CHECKED BY:
DATE: APRIL 10, 1998



Unalaska Library

CROSS REF: DETAIL NUMBER:

100

Section
Title

DIVISION 5-METALS

Section 05050-Fasteners, Miscellaneous

05050 Size and type. Spacing if applicable

Section 05120-Structural Steel

05120 See Structural Dwgs

Section 05220-Steel Joists and Joists Girders

05220 See Structural Dwgs

Section 05310-Steel Deck

05310 See Structural Dwgs

Section 05400-Cold Formed Steel Framing

05400 8" Steel Stud Framing

Section 05520-Handrails and Railings

05520-1 Metal Handrail

05520-2 Metal Handrail and Bracket

05520-3 Metal Guardrail, handrail and railing

Section 05530-Grates

05530 Grate

Section 05560-Metal Fabrications

05560 1/4" Bent Aluminum Channel

DIVISION 6-WOOD AND PLASTICS

Section 06100-Rough Carpentry

06100-1 2x Blocking

06100-2 1/2" Plywood

06100-3 3/4" Plywood

06100-4 Sill Sealer

06100-5 Preservative Treated

06100-6 See Structural Dwgs (Heavy Timber Framing)

KEYNOTE REFERENCE SHEET

SCALE: None

PROJECT NO.: 714.10
DRAWN BY: JB
CHECKED BY:
DATE: APRIL 10, 1998



Unalaska Library

CROSS REF: DETAIL NUMBER:

101

Section

Title

Section 06170-Glu-Lam Structural Units

06170 See Structural Dwgs

Section 06240-High Pressure Decorative Laminate

Not used

Section 06410-Custom Casework

06410-1 Casework Type 1 (Custom Grade, dry areas)

06410-2 Casework Type 2 (Custom Grade, wet areas)

06410-3 Casework Type 3 (Custom Grade, window sills, wall caps)

Section 06452-Standing and Running Trim

06452-1 1x4 Cedar

06452-2 1x6 Cedar

06452-3 1x8 Cedar

06452-4 1x10 Cedar

06452-5 2x4 Cedar

06452-6 2x6 Cedar

06452-7 2x8 Cedar

06452-8 2x10 Cedar

06452-9 Plywood Soffit

DIVISION 7-THERMAL AND MOISTURE PROTECTION

Section 07115-Sheet Membrane Waterproofing

07115-1 Sheet Membrane WP

07115-2 Protection Board

Section 07190-Vapor Retarder

07190 Vapor Retarder

Section 07195-Air Retarder

07195 Air Retarder

Section 07212-Batt Insulation

07212-1 Batt Insulation Type 1 (8" Unfaced, 24" wide)

07212-2 Batt Insulation Type 2 (4" Sound Batt)

07212-3 Semi Rigid Insulation

KEYNOTE REFERENCE SHEET

SCALE: None

PROJECT NO.: 714.10

DRAWN BY: JB

CHECKED BY:

DATE: APRIL 10, 1998

CROSS REF: DETAIL NUMBER:



Unalaska Library

102

Section

Title

Section 07214-Board Insulation

07214-1 Rigid Insulation Type 1 (1 1/2" thick)

07214-2 Rigid Insulation Type 2 (1/2" Snap-Cap and Flat Cap)

07214-3 Protection Board with joint strips

Section 07216-Foamed-In-Place Insulation

07216 Foamed-In-Place Insulation

Section 07270-Firestopping

07270-1 Firesafing

07270-2 Smokestopping Type 1 (Dry Areas)

07270-3 Smokestopping Type2 (Wet Areas)

07270-4 Firestopping

Section 07305-Self-Adhesive Sheet Membrane Underlayment

07305 Underlayment

Section 07411-Preformed Metal Standing Seam Roofing

07411 Metal Roofing System

Section 07425-Composite Roof Panels

07425 Composite Roof Panels

Section 07460-Siding

07460 Exterior Siding (5 1/2" Exposure)

Section 07620-Sheet Metal Flashing and Trim

07620 Flashing

Section 07720-Roof Accessories

07720-1 Vent Gasket

07720-2 Mechanical Equip Curb

KEYNOTE REFERENCE SHEET

SCALE: None

PROJECT NO.: 714.10
DRAWN BY: JB
CHECKED BY:
DATE: APRIL 10, 1998

CROSS REF: DETAIL NUMBER:



Unalaska Library

103

Section

Title

Section 07920-Sealants

- 07920-1 Sealant Type 1 (Exterior)
- 07920-2 Sealant Type 2 (Interior-High Movement)
- 07920-3 Sealant Type 3 (Interior-Low Movement)
- 07920-4 Sealant Type 4 (Floor)
- 07920-5 Sealant Type 5 (Wet Areas)
- 07920-6 Sealant Type 6 (Acoustical)
- 07920-7 Sealant Type 7 (Flouropolymer Finish)

DIVISION 8-DOORS AND WINDOWS

Section 08110-Steel Doors and Frames

- 08110-1 Exterior Door
- 08110-2 Exterior Door Frame
- 08110-3 Interior Door Frame
- 08110-4 Exterior Window Frame
- 08110-5 Interior Window Frame

Section 08211-Solid Core Flush Wood Doors

- 08211-1 Interior Door

Section 08305-Access Doors

Not used

Section 08630-Plastic Windows

- 08630 Window

Section 08710-Builders Hardware

- 08710 Hardware

Section 08800-Glazing

- 08800-1 Glazing Unit Type 1 (GL-1)
- 08800-2 Glazing Unit Type 2 (GL-2)
- 08800-3 Glazing Unit Type 3 (GL-3)
- 08800-4 Glazing Unit Type 4 (GL-4)
- 08800-5 Glazing Unit Type 5 (GL-5)
- 08800-6 Glazing Unit Type 6 (GL-6)

KEYNOTE REFERENCE SHEET

SCALE: None

PROJECT NO.: 714.10
DRAWN BY: JB
CHECKED BY:
DATE: APRIL 10, 1998



Unalaska Library

CROSS REF: DETAIL NUMBER:

104

Section

Title

DIVISION 9-FINISHES

Section 09250-Gypsum Board Systems

09250-1 GWB (5/8" Gypsum Wallboard)

09250-10 2 1/2" Metal Stud Framing

09250-11 4" Metal Stud Framing

09250-12 6" Metal Stud Framing

Section 09510-Acoustical Ceilings

09510-1 Acoustical Ceiling Panel Type 1 (24"x24")

09510-2 Acoustical Ceiling Panel Type 2 (24"x48")

09510-10 Ceiling System Type 1 (24"x24" grid w/ Compasso Trim)

09510-11 Ceiling System Type 2 (24"x24" grid)

09510-12 Ceiling System Type 3 (24"X48" grid)

09510-13 Ceiling System Type 3 (GWB Suspension)

Section 09662-Resilient Rubber Tile

09660 Resilient Tile (12"x12")

Section 09678-Resilient Flooring Accessories

09678-1 Rubber Wall Base (4" Base)

09678-2 Cap strip

Section 09680-Carpet

09680 Carpet Tile

Section 09900-Painting

09900-1 Paint Type 1 (Interior Wall/Ceiling Paint)

09900-2 Paint Type 2 (Interior/Exterior Floor Paint)

09900-3A Paint Type 3A (Exterior Metal)

09900-3B Paint Type 3B Interior Metal)

09900-4A Paint Type 4A (Exterior Wood)

09900-4B Paint Type 4B (Interior Wood)

DIVISION 10-SPECIALTIES

Section 10170-Plastic Toilet Compartments

10170 Toilet Compartment

KEYNOTE REFERENCE SHEET

SCALE: None

PROJECT NO.: 714.10

DRAWN BY: JB

CHECKED BY:

DATE: APRIL 10, 1998

CROSS REF: DETAIL NUMBER:



Unalaska Library

105

Section
Title

Section 10440-Signage
Not Used

Section 10552-Fire Extinguishers, Cabinets, and Accessories
10552-1 FEC (Semi-recessed fire extinguisher cabinet)
10552-2 FE (Fire Extinguisher)

Section 10810-Toilet Accessories
10810-1A Type 1A (Recessed Toilet Paper Holder)
10810-1B Type 1B (Partiion Mounted Toilet Paper Holder)
10810-2A Type 2A (Partition Mounted Sanitary Napkin Disposal)
10810-2B Type 2B (Recessed Sanitary Napkin Disposal)
10810-3A Type 3A (Paper Towel Dispenser)
10810-3B Type 3B (Paper Towel Dispenser and Disposal)
10810-3C Type 3C (Paper Towel Receptacle)
10810-4 Type 4 (Counter Mounted Soap Dispenser)
10810-5 Type 5 (Grab bars)
10810-6 Type 6 (Mirror)
10810-7 Type 7 (Mop Rack)
10810-8 Type 8 (Robe Hook)

DIVISION 11-EQUIPMENT
Not Used

DIVISION 12-FURNISHINGS
Section 12690-Floor Mats
12690 Floor Mat

DIVISION 13-SPECIAL CONSTRUCTION
Not Used

DIVISION 14-CONVEYING SYSTEMS
Not Used

DIVISION 15-MECHANICAL
15000 See Mechanical Dwgs

DIVISION 16-ELECTRICAL
16000 See Electrical Dwgs

KEYNOTE REFERENCE SHEET

SCALE: None

PROJECT NO.: 714.10
DRAWN BY: JB
CHECKED BY:
DATE: APRIL 10, 1998



Unalaska Library

CROSS REF: DETAIL NUMBER:

106

NOTE: SEE SHEET S-001 FOR STRUCTURAL ABBREVIATIONS.

A		CC	corner guard	FLX	flexible
ABV	above	CORR	corridor	FLR	floor(ing)
AFF	above finish floor	COR	corrugated	FLCO	floor cleanout
AWW	all weather wood	CMP	corrugated metal pipe	FD	floor drain
ACC	access	CTR	counter	FPL	floor plate
ACPL	access floor	CFL	counterflashing	FLJR	flashed joint
AP	access panel	CTRBRK	countertop	FT	foot
AC	acoustical	CRS	cross metal	FTG	footing
APA	american plywood association	CRS	cross grain	FRG	forded
ACT	acoustical tile association	CFT	cubic foot	FND	foundation
ACR	acrylic plastic	CY	cubic yard	FR	framed(ing)
ADD	addendum			FRA	fresh air
ADH	adhesive	D		F	fuel
AV	audio visual	DPR	dampener	FOR	fuel oil return
ADJ	adjacent	DP	dampening	FOB	fuel oil supply
ASG	aggregate	DL	dead load	FS	finish
A/C	air conditioning	DEM	demolish, demolition	FBO	finished by others
AWWF	all weather wood foundation	DMT	demonstrate	FUR	furred(ing)
ALT	alternate	DEP	depressed	FUT	future
ALUM	aluminum	DTL	detail	G	
ASTM	american society of testing & materials	DIAG	diagonal	GA	gauge
AMP	ampere	DIA	diameter	GAL	gallon
ANC	anchor, anchorage	DM	dimension	CPM	gallons per minute
AS	anchor bolt	DSP	dispenser	GALV	galvanized
ASGD	asphalt	DO	door	SI	galvanized iron
APX	approximate	DR	door	SP	galvanized steel pipe
ARCH	architectural	DA	double acting	CSB	galvanized steel sheet
AD	area drain	DM	double hung	GKT	gasket(ed)
ASPH	asphalt like	DTA	dovetail anchor	GV	gate valve
AT	automatic	DTB	dovetail anchor slot	GC	general contractor
AUTO	automatic	DWL	down	GEN	generator
		DN	down	CL	glass, glazing
b		DS	downspout	GLBK	glass block
BAL	balance	D	drain	GLF	glass fiber
BSMT	basement	DRB	drainboard	CCMU	glass concrete masonry units
BRG	bearing	DT	drain tile	GST	glazed structural tile
BPL	bearing plate	DRW	drawer	GB	grab bar
BJT	bed joint	DWG	drawing	GO	grade, grading
BM	bench mark	DF	drinking fountain	GRN	granite
BSL	below	DI	ductile iron	GVL	gravel
BTWN	between	DW	downwater	GF	ground face
BVL	beveled			GSP	group
BT	bituminous	E		GT	gypsum
BLK	block	EF	each face	GPL	gypsum lath
BLKG	blocking	ES	each side	GLB	glass lam beam
BD	board	EW	each way	CPPL	gypsum plaster
BB	bond beam	E	east	GPT	gypsum tile
BS	both sides	ELECT	electrical	GWB	gypsum wallboard
BW	both ways	EP	electrical panelboard		
BTB	brick	EWIC	electric water cooler	H	
BRK	bridging	EL	elevation	HM	handhold
BRDG	bridging	ELEV	elevator	HDBD	hardboard
BTU	british thermal unit	EMER	emergency	HWBR	hardware
BRZ	bronze	EMBL	enamel	HWWD	hardwood
BLDG	building	ENCL	enclosure	HD	head
BUR	built up roofing	EQ	equal	HJT	head joint
BSO	bulletin board	EQP	equipment	HDR	header
		ESC	escalator	HTG	heating
		EST	estimate	HV	heating & venting
		EXCAV	excavate	HVAC	heating, venting, air conditioning
		EXH	exhaust	HD	heavy duty
		E/A	exhaust fan	HGT	height
		EF	existing	HX	hexagonal
		EXDST	existing	HEB	high early strength cement
		EXDP	expanded metal plate	HC	hollow core
		EXDAMD	expansion	HM	hollow metal
		EB	expansion bolt	HK	hook(s)
		EXP	exposed	HORIZ	horizontal
		EXT	exterior	HP	horsepower
		EXS	extra strong	HS	hose bibb
		EPS	expanded polystyrene	HW	hot water
				HWH	hot water heater
		F		HPDL	high pressure decorative laminate
		FWC	fabric wall covering	H	high
		FB	face brick	HPT	high point
		FOC	face of concrete	HSDCP	handicap(ped)
		FOF	face of finish		
		FOM	face of masonry	I	
		FOB	face of studs	INCEN	incinerator
		FFN	factory finish	INCL	include (d) (ing)
		FAB	fasten, fastener	ID	inside diameter
		FEM	female, feminine	IND	inside dimension
		FN	fence	INSUL	insulated(ion)
		FSD	fiberboard	INSC	insulating concrete
		FGL	fiber glass	INT	insulating tile
		FN	finished	INT	interior
		FF	finished floor	ILK	interlock
		FPE	finished floor elevation	INTRM	intermediate
		FPL	finished floor line	INV	invert
		FA	fire alarm	IS	invert elevation
		FRBK	fire brick	IPS	iron pipe size
		FE	fire extinguisher		
		FEC	fire extinguisher cabinet	J	
		FMS	fire hose station	JC	janitor's closet
		FPL	fireplace	JT	joint (later)
		FP	fireproof	J	joint
		FRC	fire resisting coating		
		FRT	fire retardant treated		
		FLX	flexure		
		FLC	flashing		
		FMS	flathead machine screw		
		FWS	flathead wood screw		

ABBREVIATIONS

SCALE: NONE

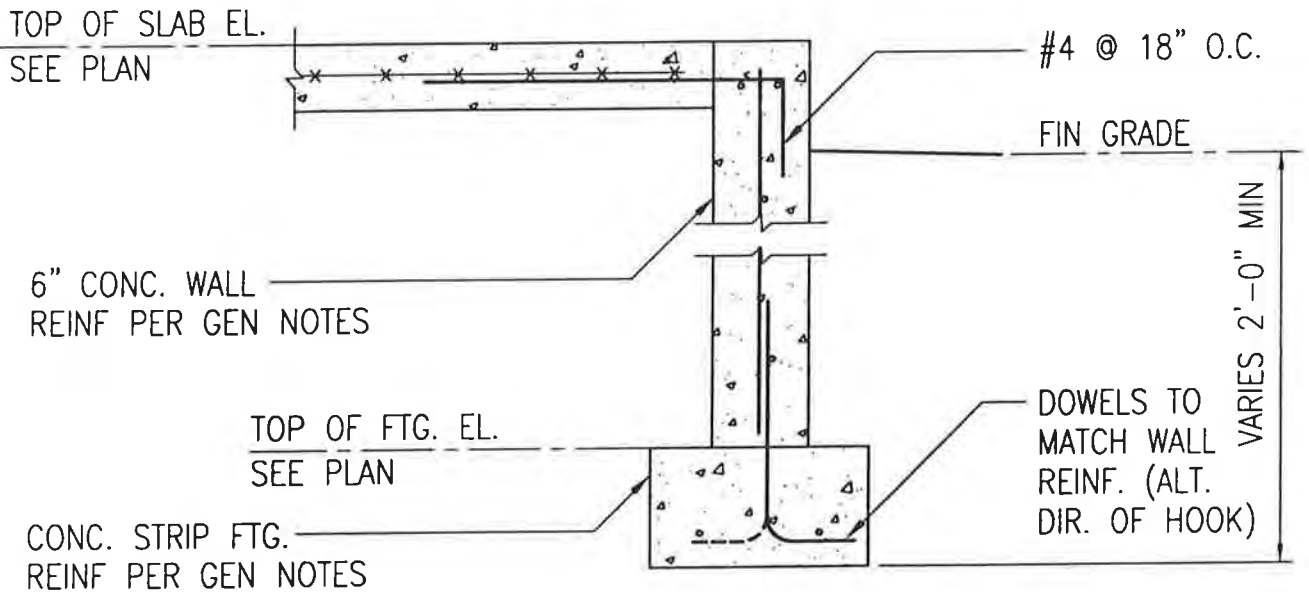


Unalaska Library

PROJECT NO.: 714.10
 DRAWN BY: JB
 CHECKED BY: -
 DATE: 4/10/98

CROSS REF: DETAIL NUMBER:

110



TYPICAL FOUNDATION WALL

SCALE: 3/4' = 1'-0'

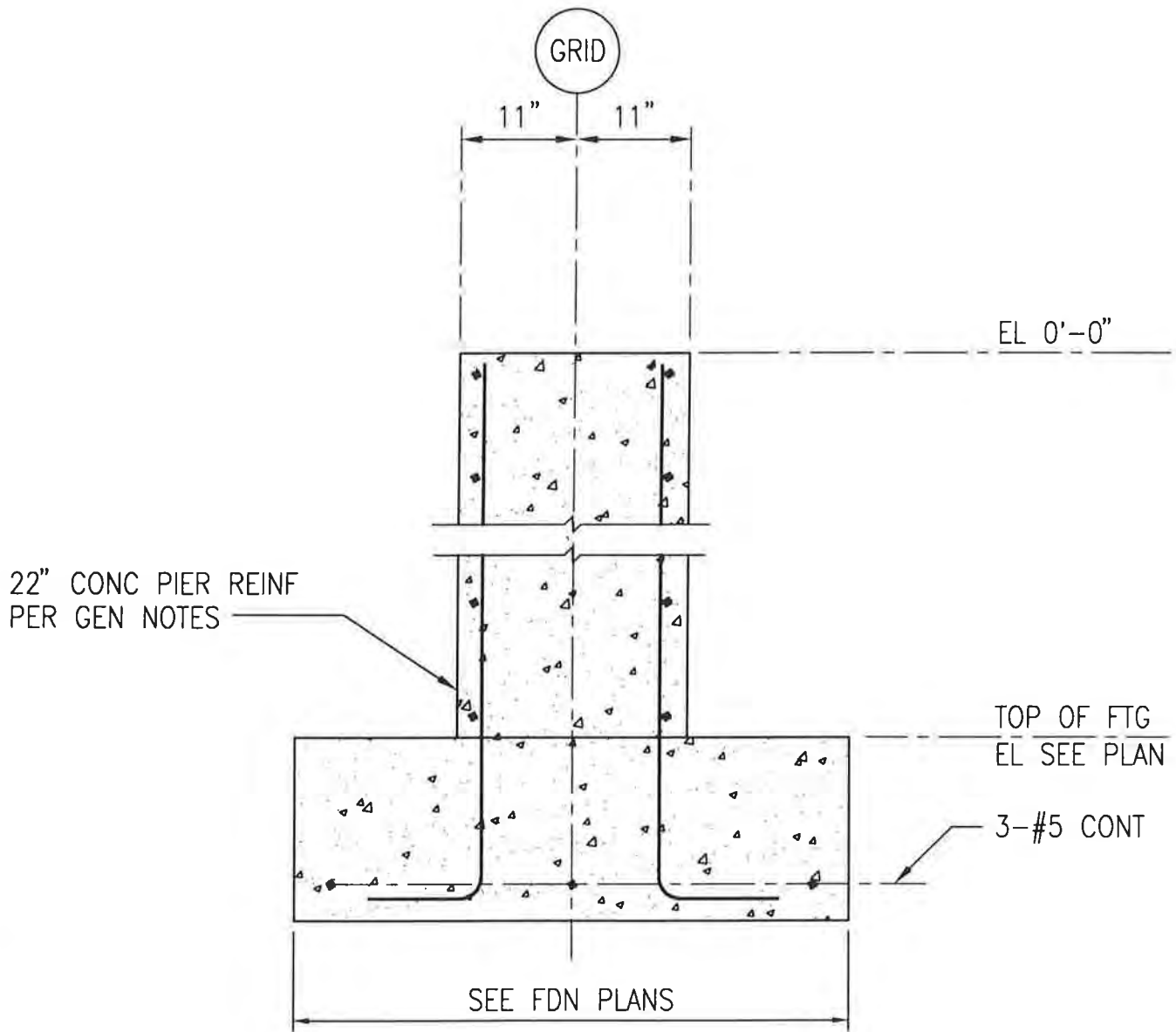
PROJECT NO.: 714.10
 DRAWN BY: KWK
 CHECKED BY: CM
 DATE: APRIL 10, 1998



Unalaska Library

CROSS REF: DETAIL NUMBER:

A1-100



22" CONC PIER REINF
PER GEN NOTES

EL 0'-0"

TOP OF FTG
EL SEE PLAN

3-#5 CONT

SEE FDN PLANS

TYPICAL SCREEN WALL FOUNDATION

SCALE: 3/4" = 1'-0"

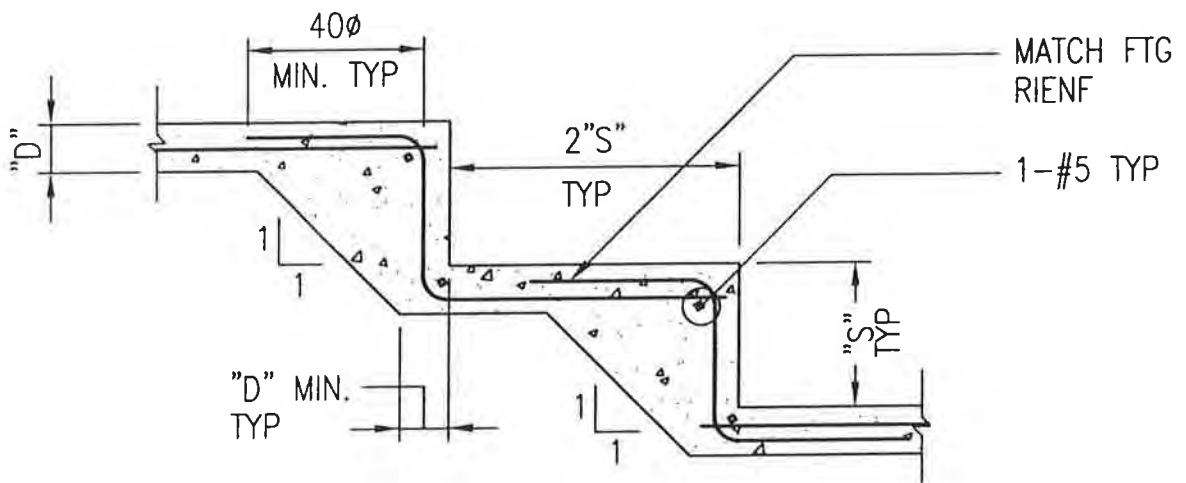
PROJECT NO.: 714.10
DRAWN BY: KWK
CHECKED BY: CM
DATE: APRIL 10, 1998



Unalaska Library

CROSS REF: DETAIL NUMBER:

A1-101



STRIP FOOTING STEP

SCALE: 3/4" = 1'-0"

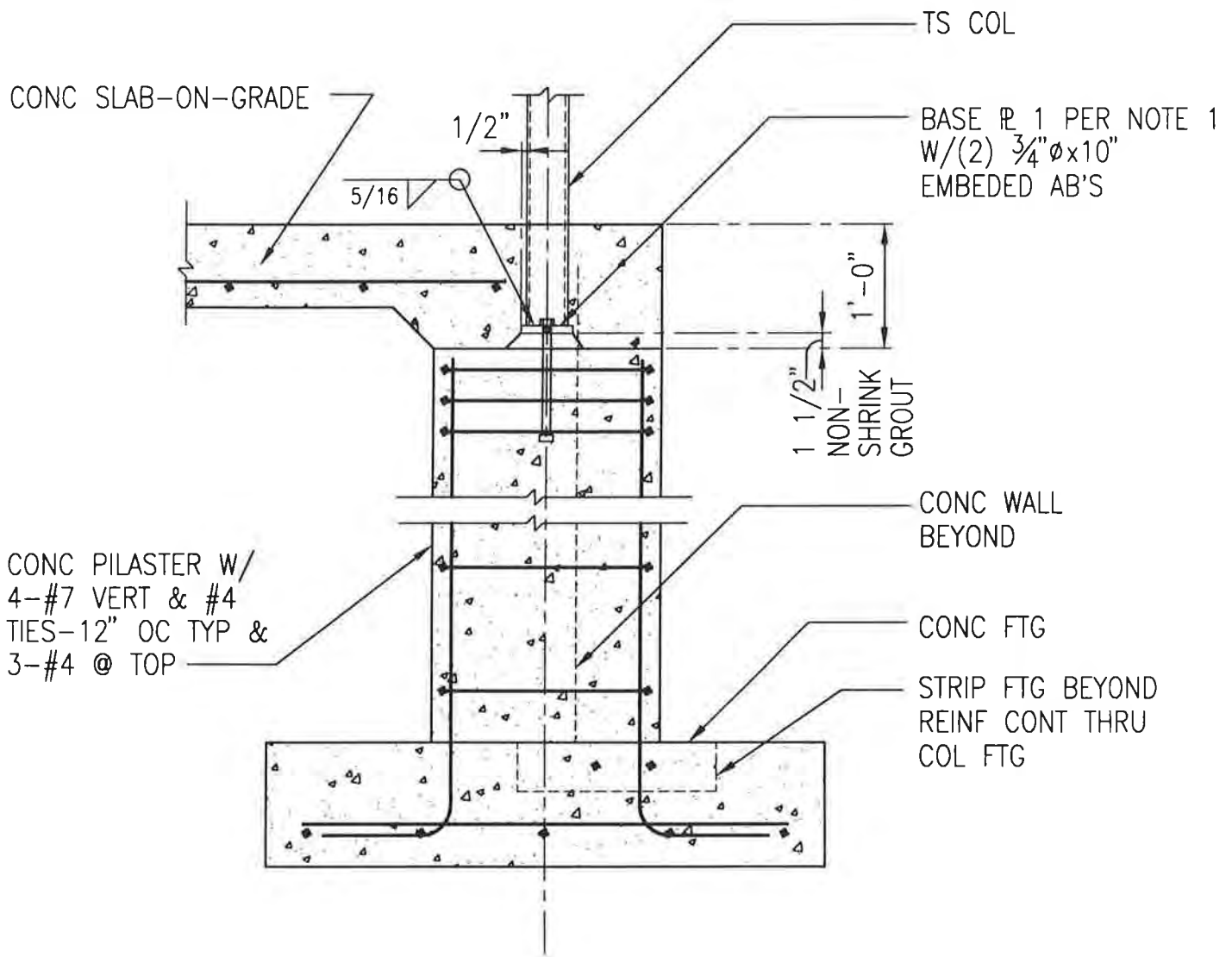
PROJECT NO.: 714.10
 DRAWN BY: KWK
 CHECKED BY: CM
 DATE: APRIL 10, 1998



Unalaska Library

CROSS REF: DETAIL NUMBER:

A1-102



NOTE:

1. BASE R WIDTH AS SHOWN ABOVE. BASE R LENGTH TO BE 6" GREATER THAN TS COLUMN DIMENSION.

TYPICAL PERIMETER COLUMN PIER AND FOOTING

SCALE: 3/4" = 1'-0"

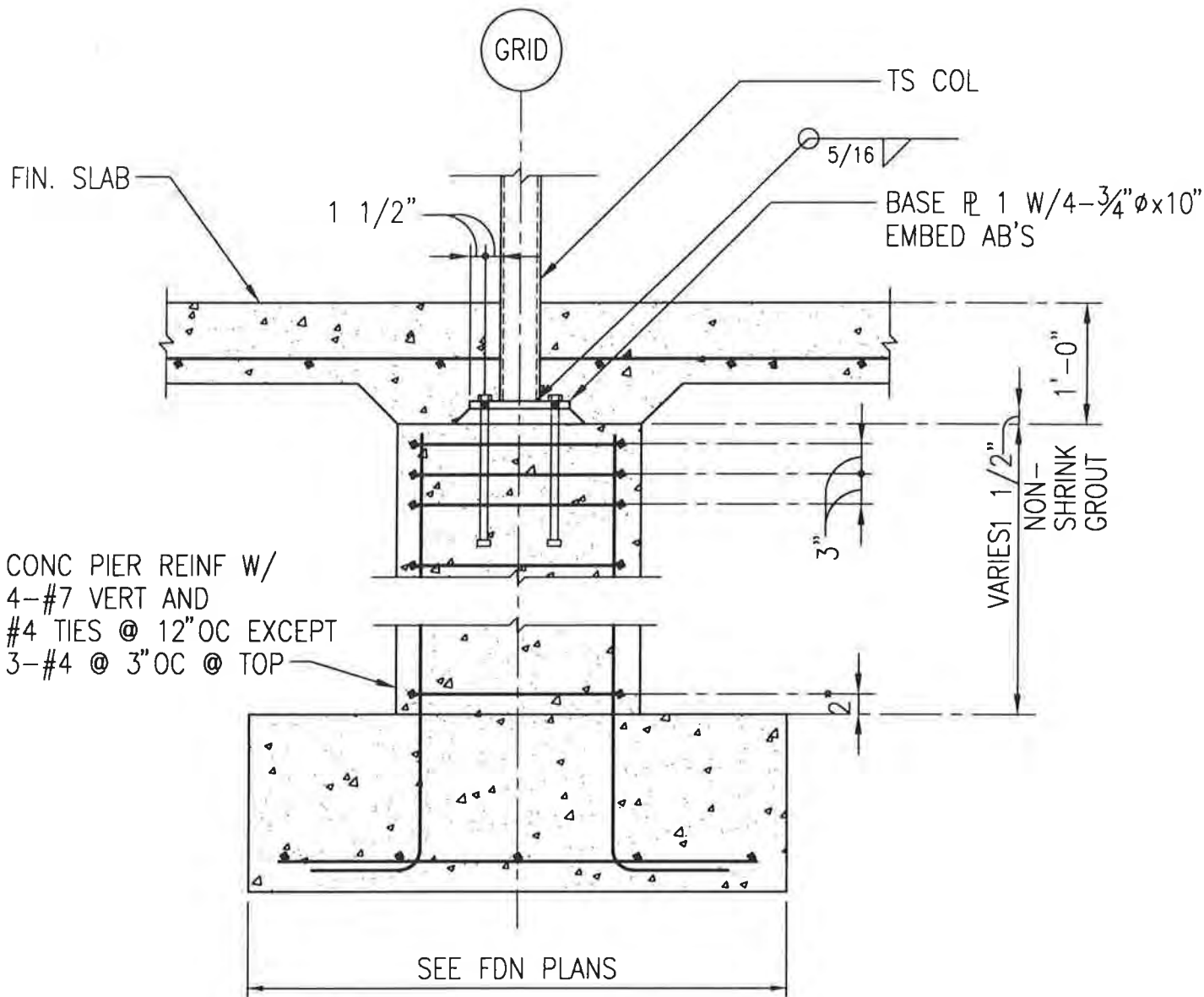
PROJECT NO.: 714.10
 DRAWN BY: KJK
 CHECKED BY: CM
 DATE: APRIL 10, 1998

LIVINGSTON
STONE
 ARCHITECTURE
 ENGINEERING
 PLANNING
 INTERIOR DESIGN

Unalaska Library

CROSS REF: DETAIL NUMBER:

A1-110



TYPICAL COLUMN PIER & FOOTING

SCALE: 3/4" = 1'-0"

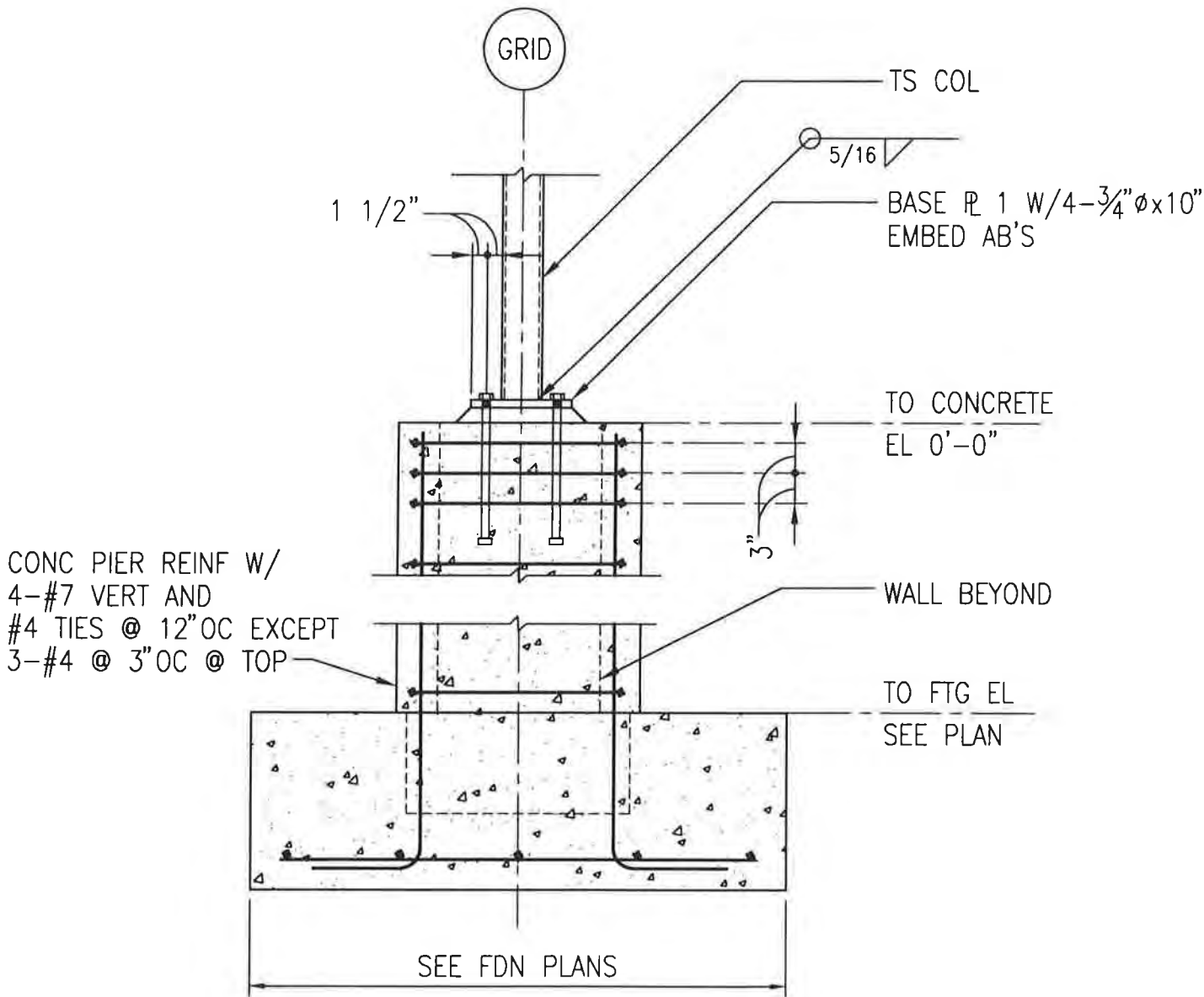
PROJECT NO.: 714.10
 DRAWN BY: KWK
 CHECKED BY: CM
 DATE: APRIL 10, 1998

LIVINGSTON
STONE
 ARCHITECTURE
 ENGINEERING
 PLANNING
 INTERIOR DESIGN

Unalaska Library

CROSS REF: DETAIL NUMBER:

A1-111



CONC PIER REINF W/
 4-#7 VERT AND
 #4 TIES @ 12"OC EXCEPT
 3-#4 @ 3"OC @ TOP

TS COL

BASE PL W/ 4-3/4" ϕ x 10"
 EMBED AB'S

TO CONCRETE
 EL 0'-0"

WALL BEYOND

TO FTG EL
 SEE PLAN

SEE FDN PLANS

TYPICAL EXTERIOR COLUMN PIER & FOOTING

SCALE: 3/4" = 1'-0"

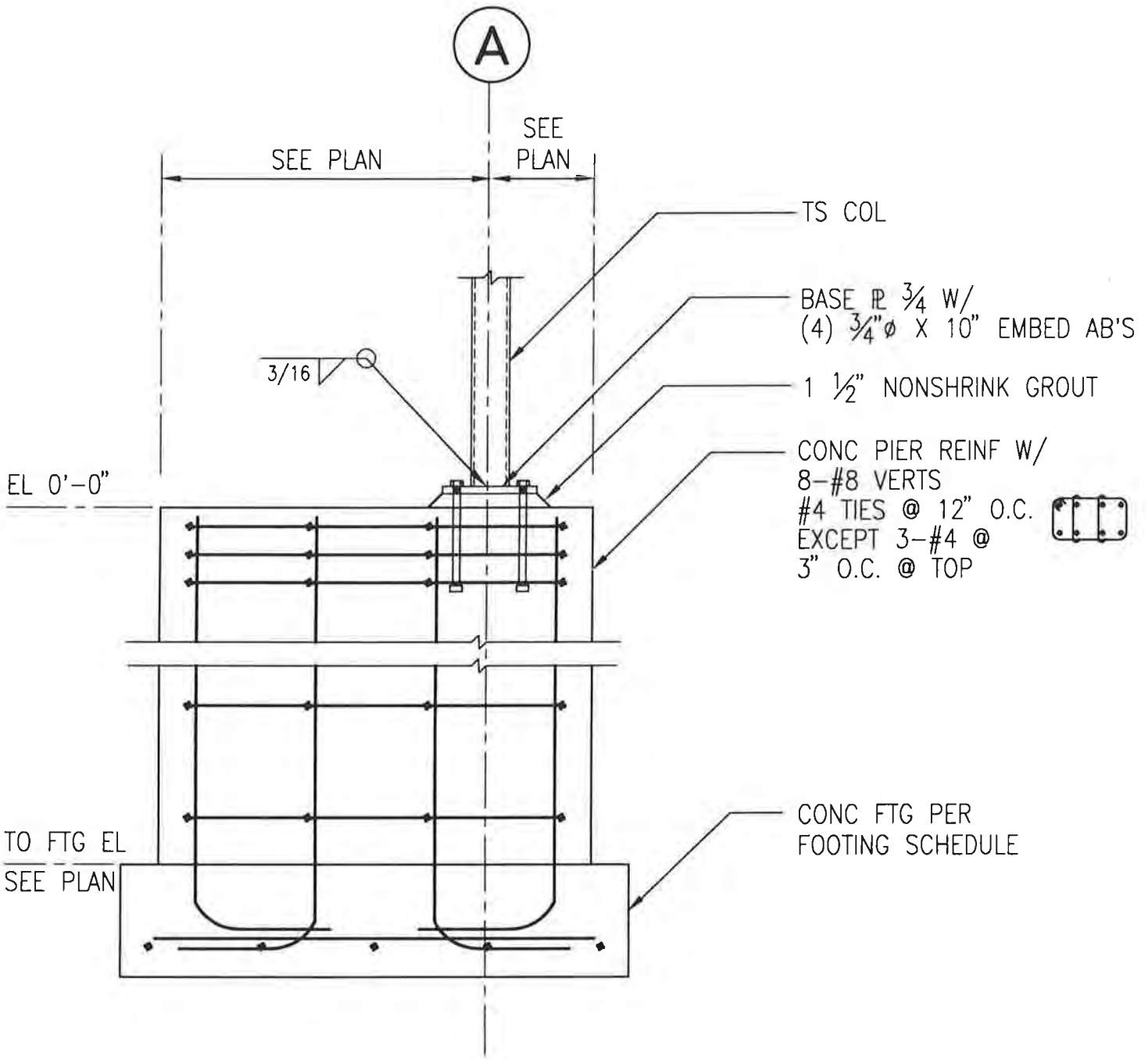
PROJECT NO.: 714.10
 DRAWN BY: KWK
 CHECKED BY: CM
 DATE: APRIL 10, 1998



Unalaska Library

CROSS REF: DETAIL NUMBER:

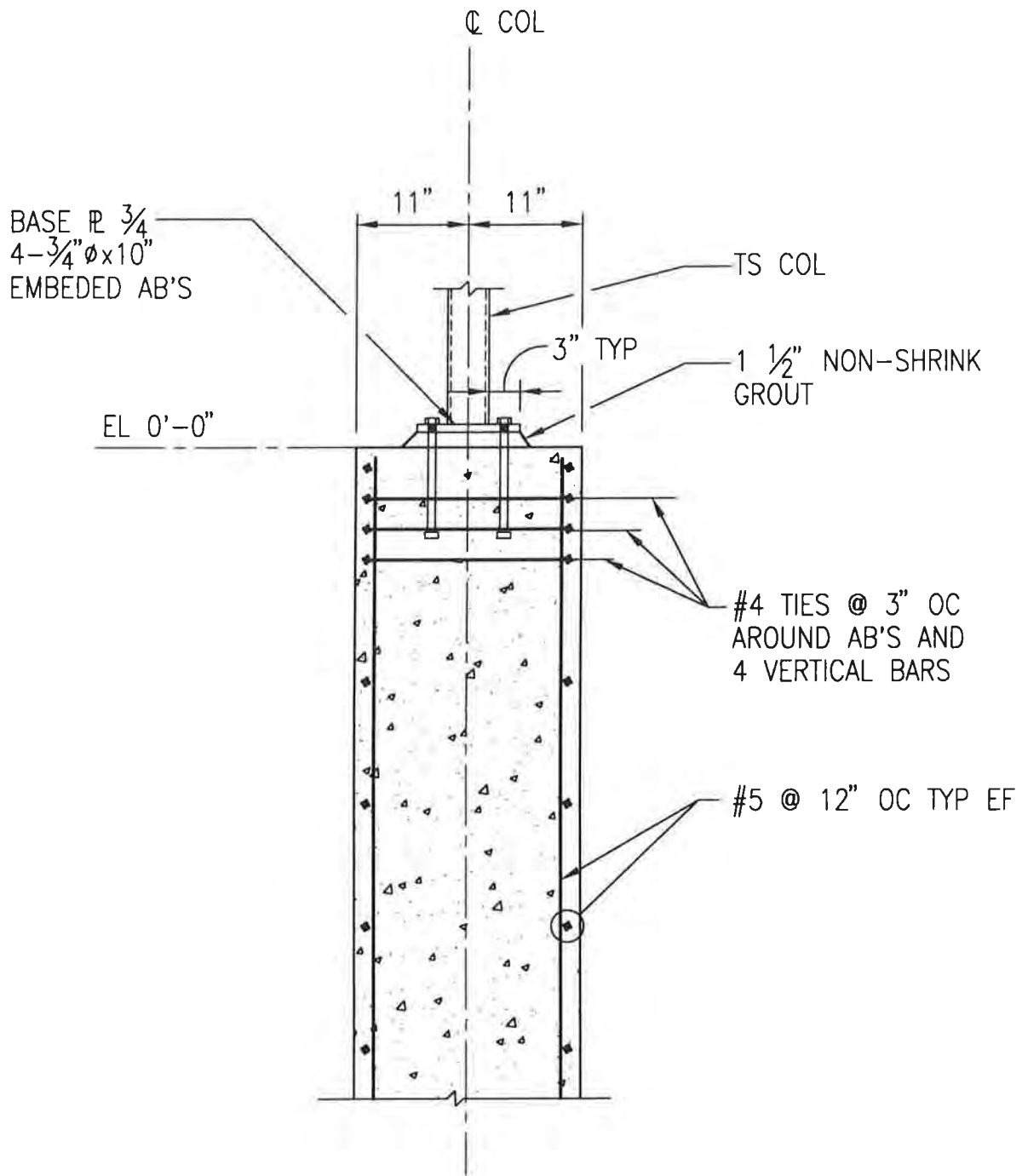
A1-112



EXTERIOR COLUMN PIER AT GRIDS A1 & A8

SCALE: 3/4" = 1'-0"

PROJECT NO.: 714.10
DRAWN BY: KWK
CHECKED BY: CM
DATE: APRIL 10, 1998



COLUMN PIER @ FAN ROOM SCREEN WALL

SCALE: 3/4" = 1'-0"

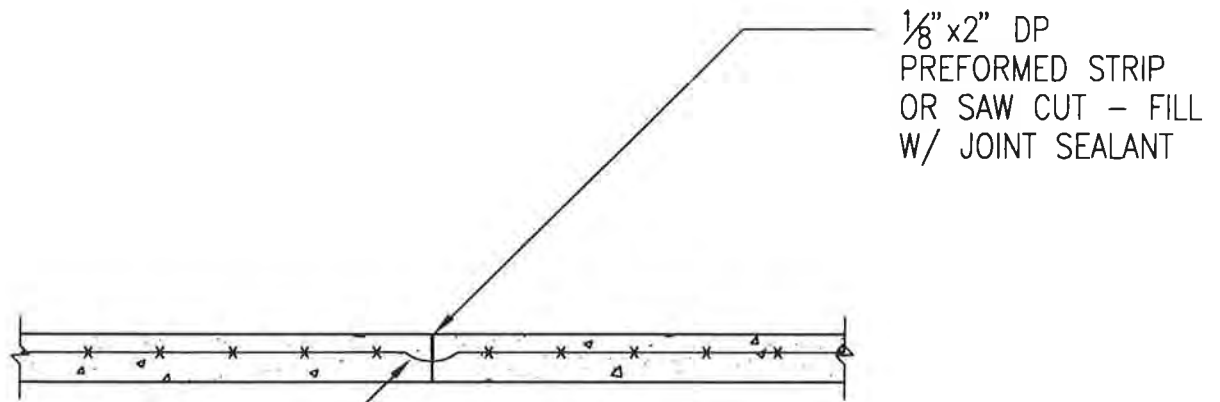
PROJECT NO.: 71420
 DRAWN BY: KWK
 CHECKED BY: CM
 DATE: APRIL 10, 1998

LIVINGSTON
STONE
 ARCHITECTURE
 ENGINEERING
 PLANNING
 INTERIOR DESIGN

UNALASKA LIBRARY

CROSS REF: DETAIL NUMBER:

A1-114



DEPRESS WWF
UNDER CTJ AS
REQUIRED TO
CLEAR STRIP
OR SAW CUT

NOTE:

1. SPACE JOINTS AT COLUMN LINES AND AT 20'-0" ON CENTER MAXIMUM SPACING.

TYPICAL SLAB-ON-GRADE CONTROL JOINT

SCALE: 3/4" = 1'-0"

PROJECT NO.: 714.10
DRAWN BY: KWK
CHECKED BY: CM
DATE: APRIL 10, 1998

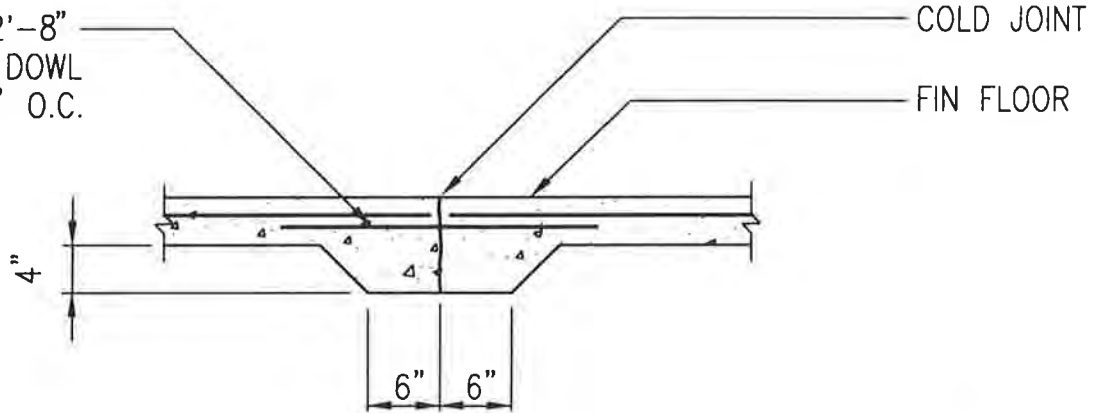


Unalaska Library

CROSS REF: DETAIL NUMBER:

A1-120

1/2" ϕ x 2'-8"
PLAIN DOWL
AT 18" O.C.



TYPICAL SLAB-ON-GRADE CONSTRUCTION JOINT

SCALE: 3/4" = 1'-0"

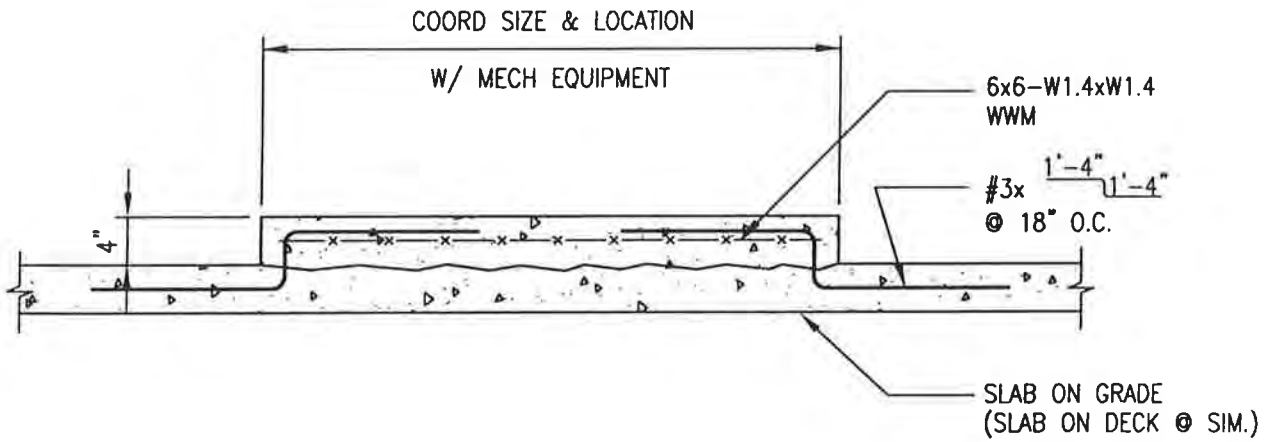
PROJECT NO.: 714.10
DRAWN BY: KJK
CHECKED BY: CM
DATE: APRIL 10, 1998

LIVINGSTON
STONE
ARCHITECTURE
ENGINEERING
PLANNING
INTERIOR DESIGN

Unalaska Library

CROSS REF: DETAIL NUMBER:

A1-121



TYPICAL HOUSEKEEPING PAD

SCALE: 3/4" = 1'-0"

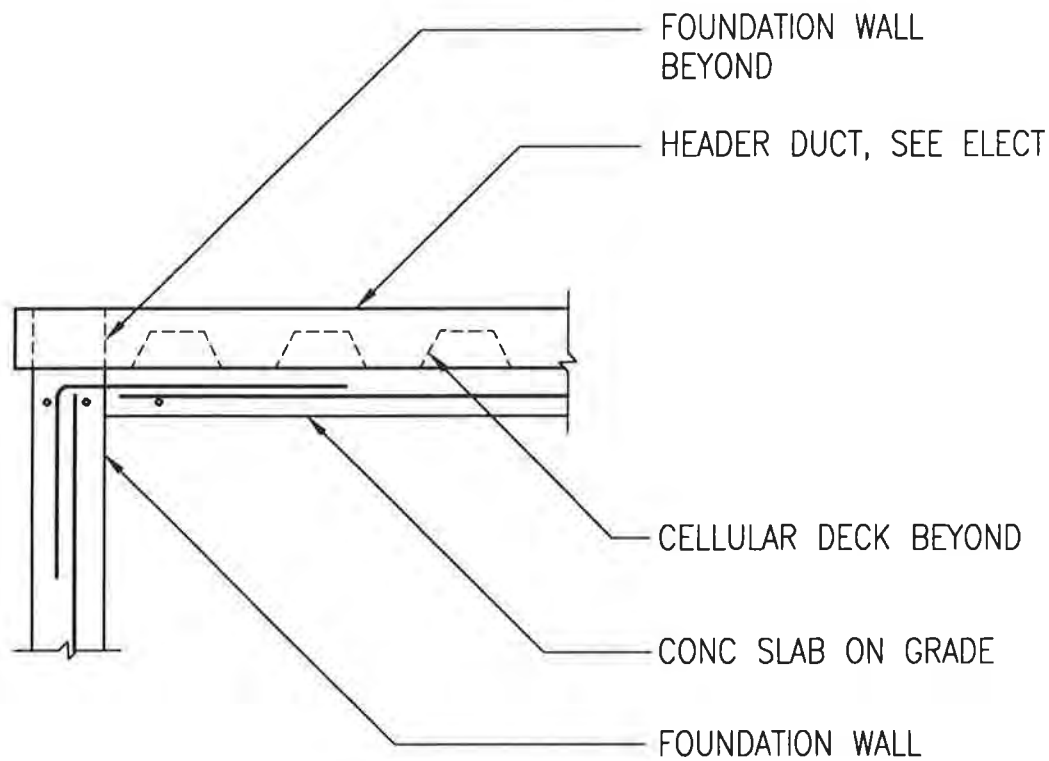
PROJECT NO.: 714.10
DRAWN BY: KWK
CHECKED BY: CM
DATE: APRIL 10, 1998

LIVINGSTON
STONE
ARCHITECTURE
ENGINEERING
PLANNING
INTERIOR DESIGN

Unalaska Library

CROSS REF: DETAIL NUMBER:

A1-122



HEADER DUCT AT PERIMETER WALL

SCALE: 3/4" = 1'-0"

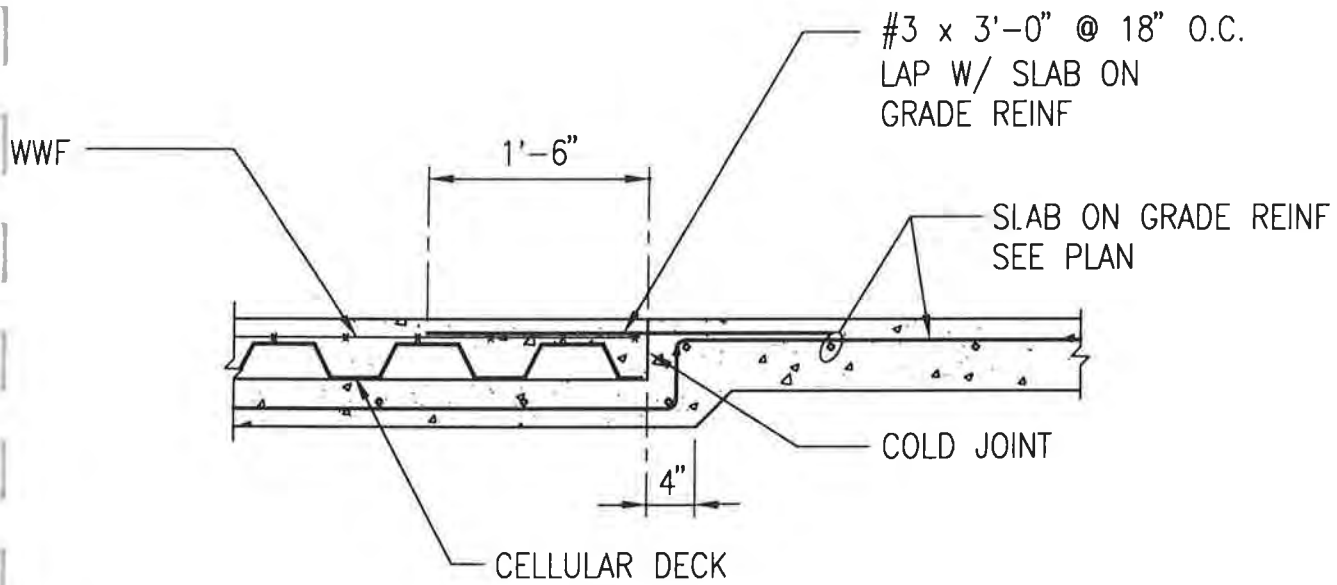
PROJECT NO.: 714.10
 DRAWN BY: KWK
 CHECKED BY: CM
 DATE: APRIL 10, 1998



Unalaska Library

CROSS REF: DETAIL NUMBER:

A1-123



DEPRESSED DATA FLOOR SLAB

SCALE: 3/4" = 1'-0"

PROJECT NO.: 714.10
 DRAWN BY: KUK
 CHECKED BY: CM
 DATE: APRIL 10, 1998

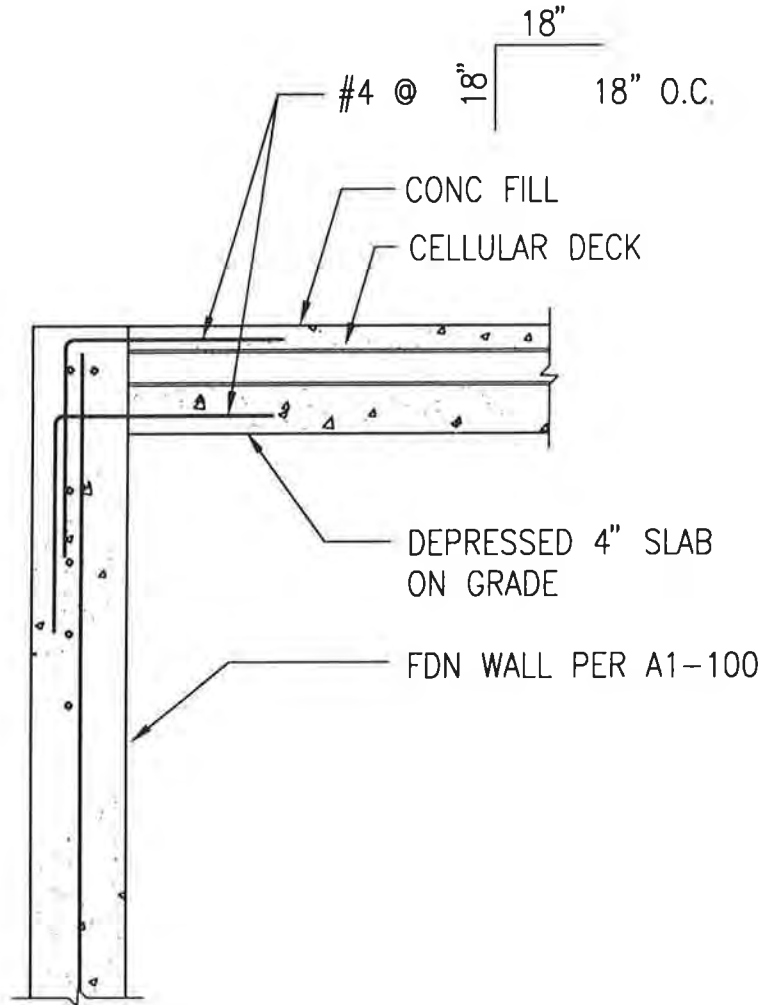
**LIVINGSTON
 SLONE**
 ARCHITECTURE
 ENGINEERING
 PLANNING
 INTERIOR DESIGN

Unalaska Library

CROSS REF:
 S-101

DETAIL NUMBER:

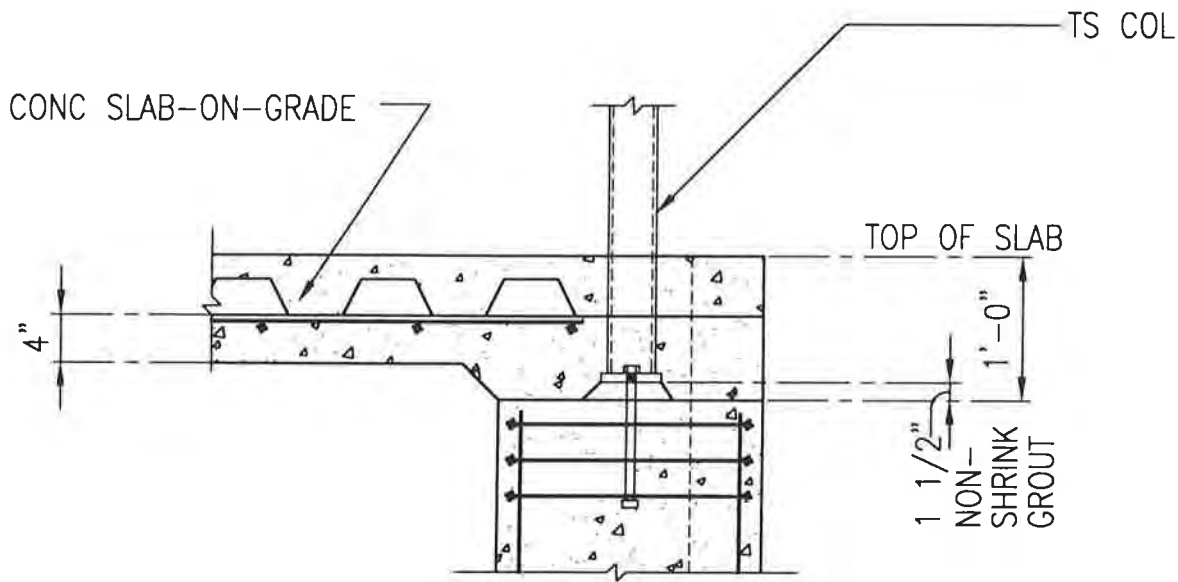
A1-124



DATA FLOOR SLAB TO FDN WALL

SCALE: 3/4' = 1'-0'

PROJECT NO.: 714.10
 DRAWN BY: KJK
 CHECKED BY: CM
 DATE: APRIL 10, 1998



NOTE:

1. FOR INFORMATION NOT SHOWN SEE A1-110

DATA FLOOR SLAB AT PERIMETER COLUMN

SCALE: 3/4" = 1'-0"

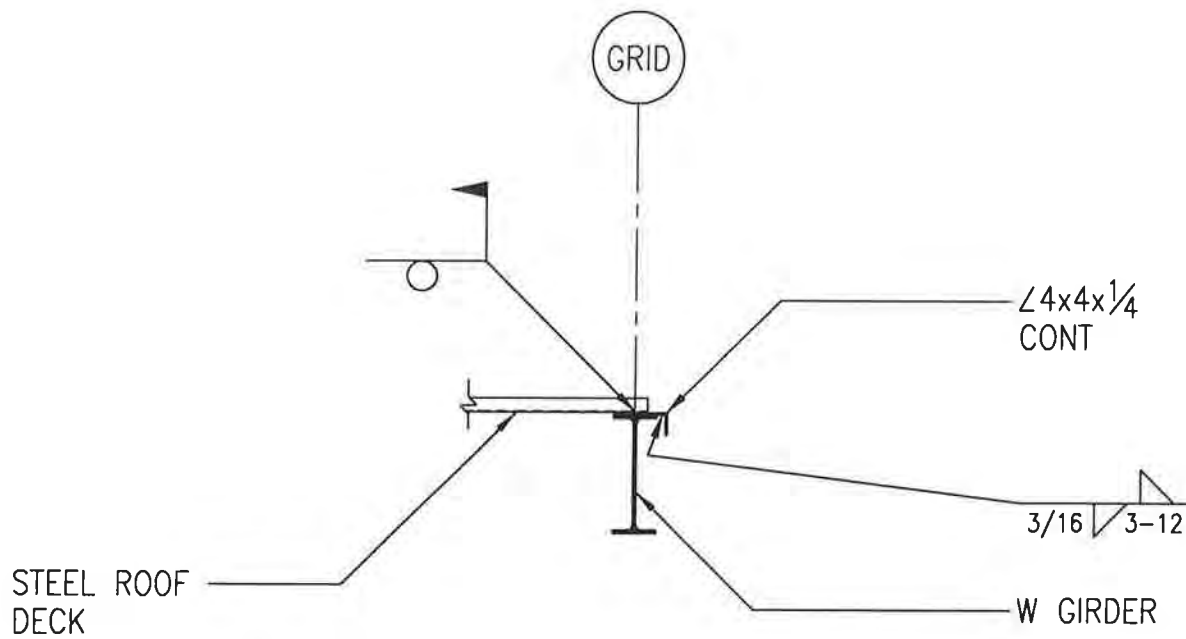
PROJECT NO.: 714.10
 DRAWN BY: KWK
 CHECKED BY: CM
 DATE: APRIL 10, 1998



Unalaska Library

CROSS REF: DETAIL NUMBER:

A1-126



TYPICAL GABLE DETAIL

SCALE: NTS

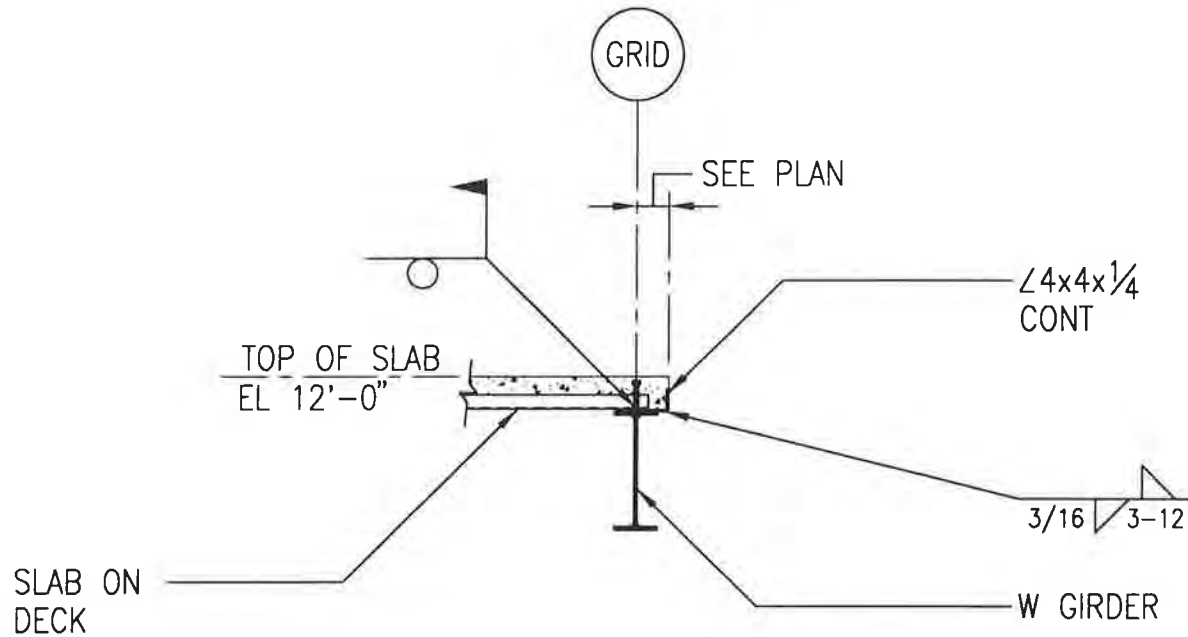
PROJECT NO.: 714.10
 DRAWN BY: KJK
 CHECKED BY: CM
 DATE: APRIL 10, 1998



Unalaska Library

CROSS REF: DETAIL NUMBER:

B1-101



TYPICAL FLOOR EDGE DETAIL

SCALE: NTS

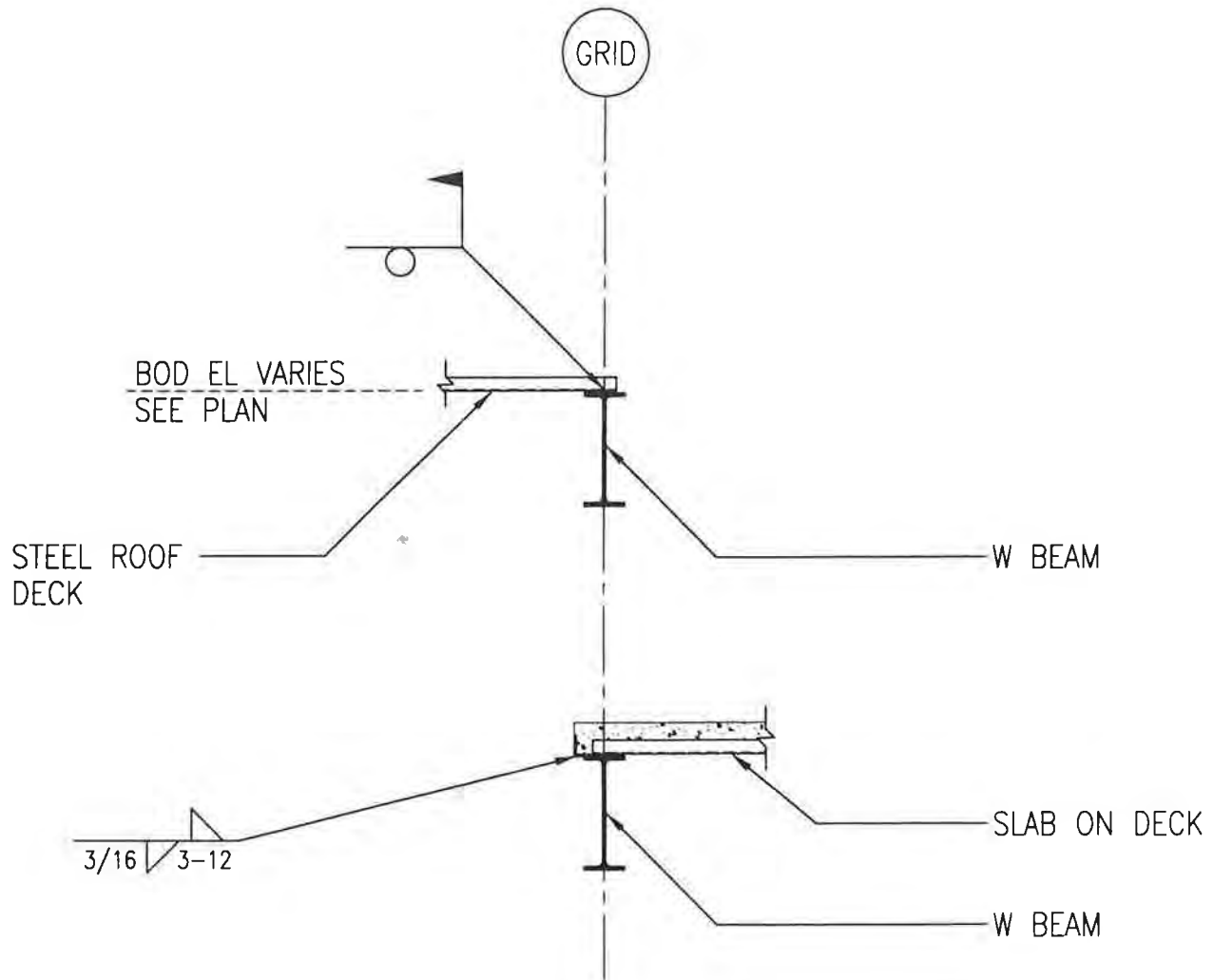
PROJECT NO.: 714.10
 DRAWN BY: KWK
 CHECKED BY: CM
 DATE: APRIL 10, 1998



Unalaska Library

CROSS REF: DETAIL NUMBER:

B1-102



ROOF @ FAN ROOM WALL

SCALE: NTS

PROJECT NO.: 714.10
 DRAWN BY: KWK
 CHECKED BY: CM
 DATE: APRIL 10, 1998



Unalaska Library

CROSS REF: DETAIL NUMBER:

B1-103

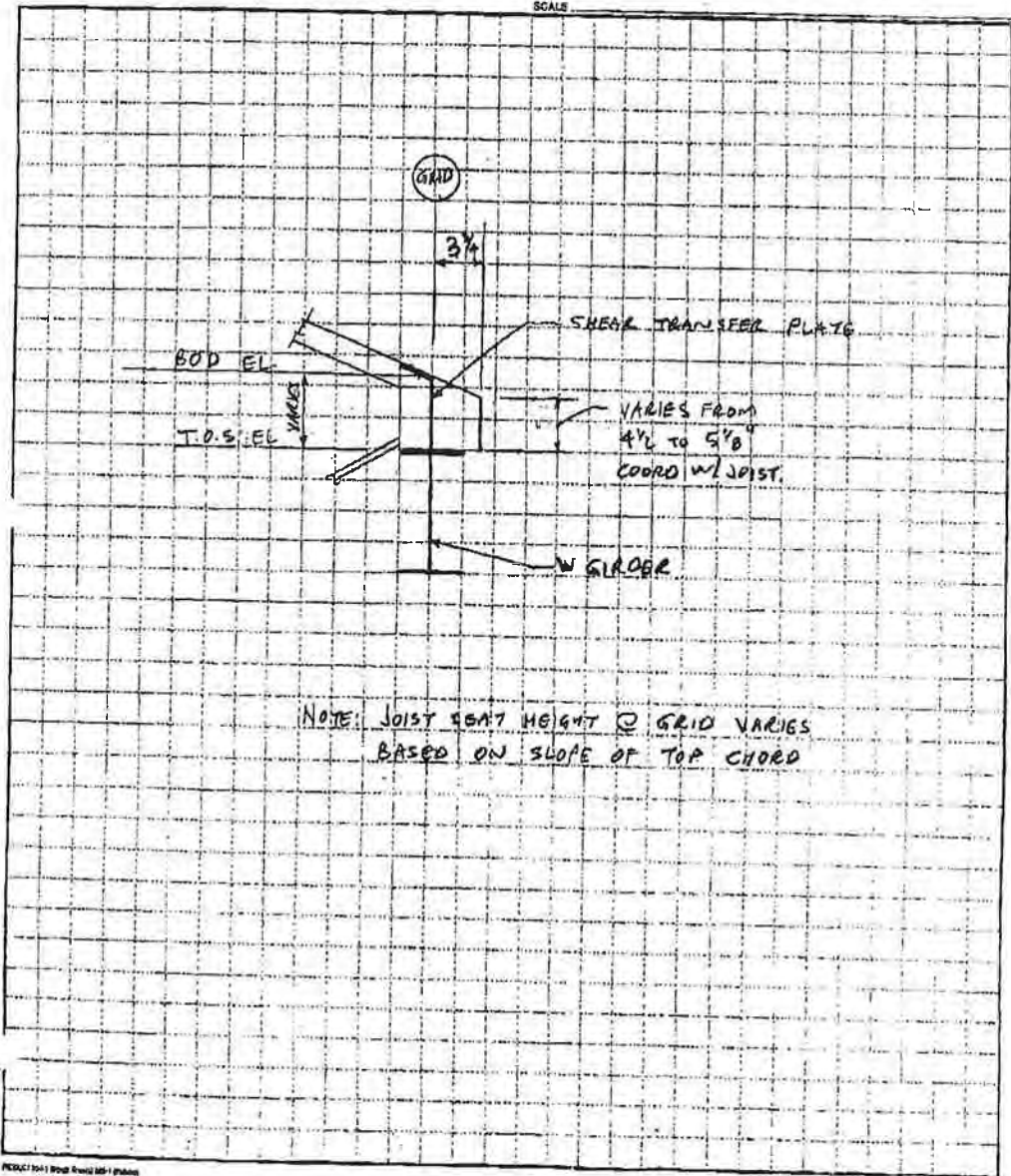
MAR-02-1999 18:04

OCC KIRKLAND

4258284314 P.20/21
LIVINGSTON SLONE 002

BBFM
Engineers Inc.
510 L Street, Suite 200 Anchorage, Alaska 99501
Phone (907) 274-2296 Fax (907) 274-2820

JOB UNALASKA LIBRARY
SHEET NO. 1 OF 1
CALCULATED BY CM DATE 9/98
CHECKED BY _____ DATE _____
SCALE _____



DCIVR 25

Project _____ No. _____
 Subject _____ Phone _____
 With/To _____ Fax # _____
 Address _____ # Faxed Pages _____

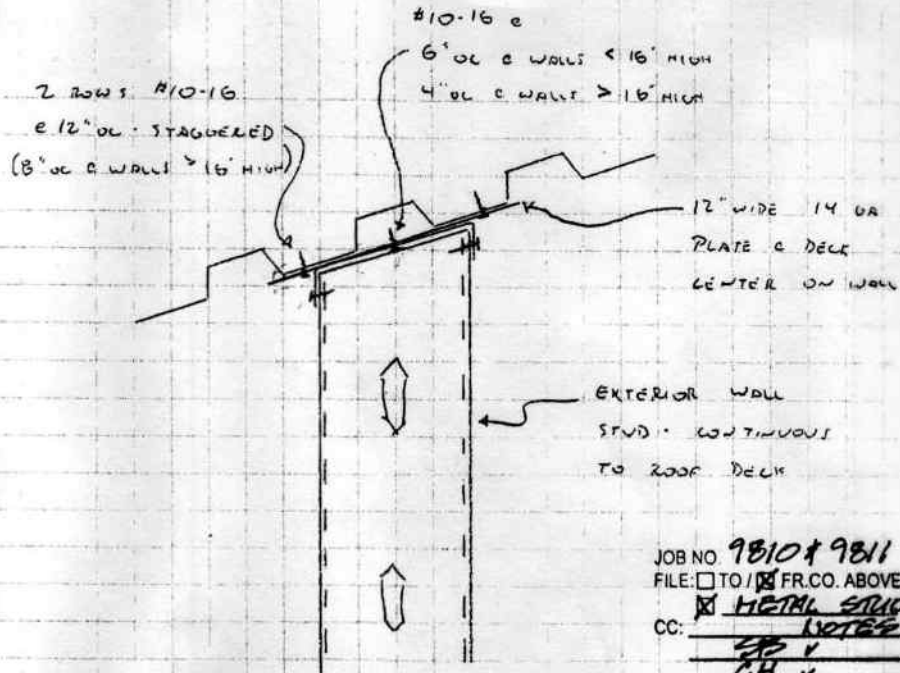
Page _____ of _____
 Calculations
 Fax
 Memorandum
 Meeting Minutes
 Telephone Memo

Date:

11/18/98

By:
 ADA

Copies to:



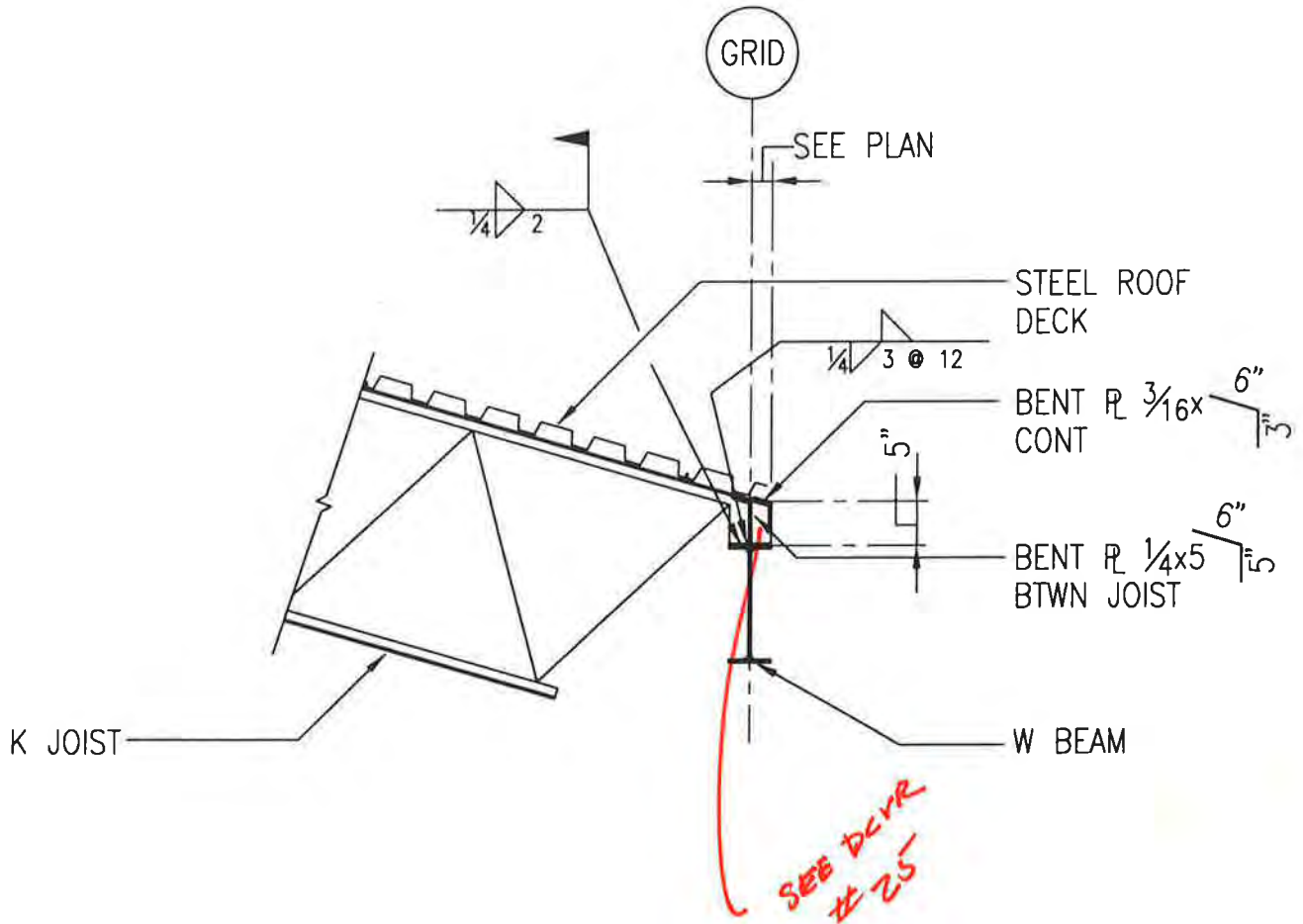
JOB NO. 9810 & 9811
 FILE: TO / FR.CO. ABOVE
 METAL STUD
 CC: NOTES
 EP ✓
 CH ✓
 CH ✓
 WRT N. ✓
 LARRY P. ✓
 TERRY R. ✓

THIS DETAIL APPLIES TO
 EXTERIOR WALLS ATTACHMENT
 TO UNDERSIDE OF ROOFING
 DIAPHRAGM.

2215 N. 30th Street
 Suite 300
 Tacoma, WA 98403

Old Town
 Historical District

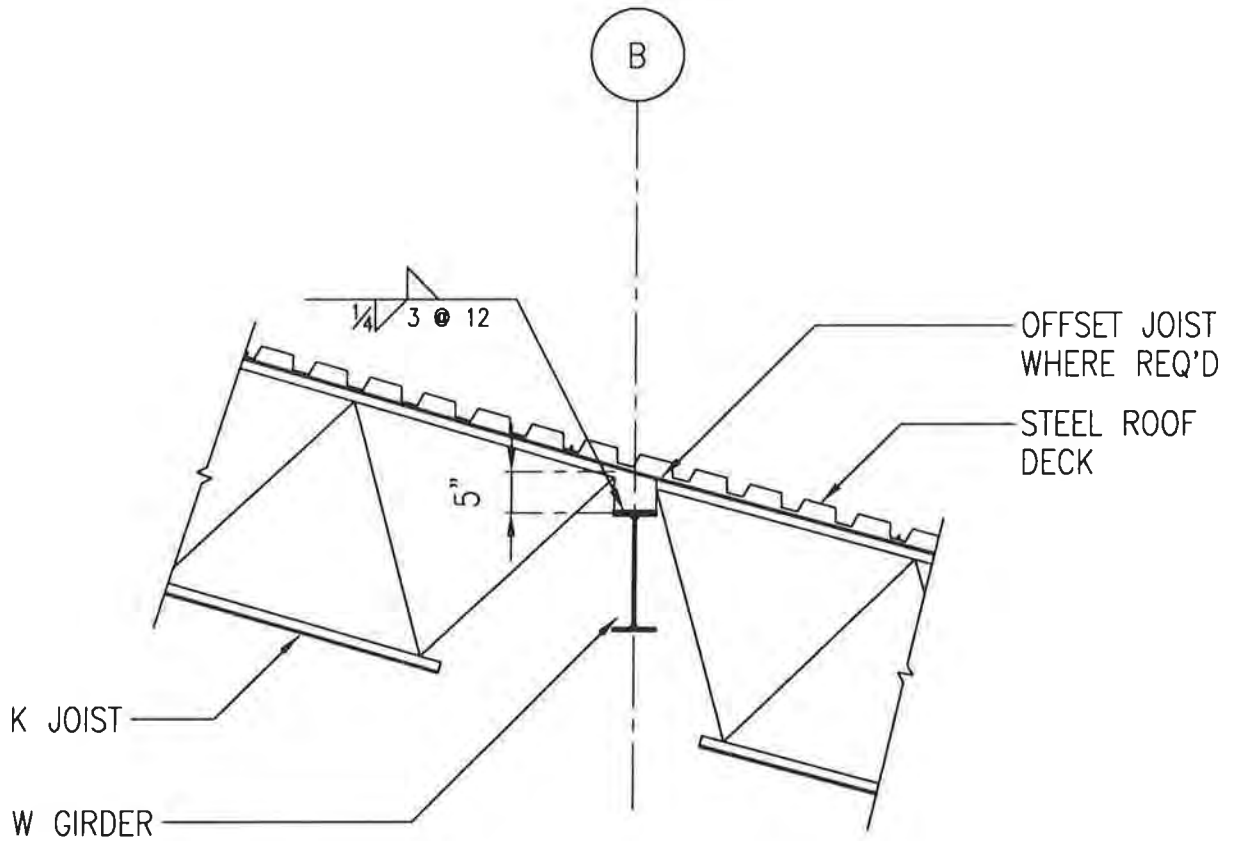
253/383-2422
 253/383-2572 FAX



STEEL JOIST TO W GIRDER AT EAVE

SCALE: 3/4" = 1'-0"

PROJECT NO.: 714.10
 DRAWN BY: KUK
 CHECKED BY: CM
 DATE: APRIL 10, 1998



STEEL JOIST TO INTERMEDIATE BEAM

SCALE: NTS

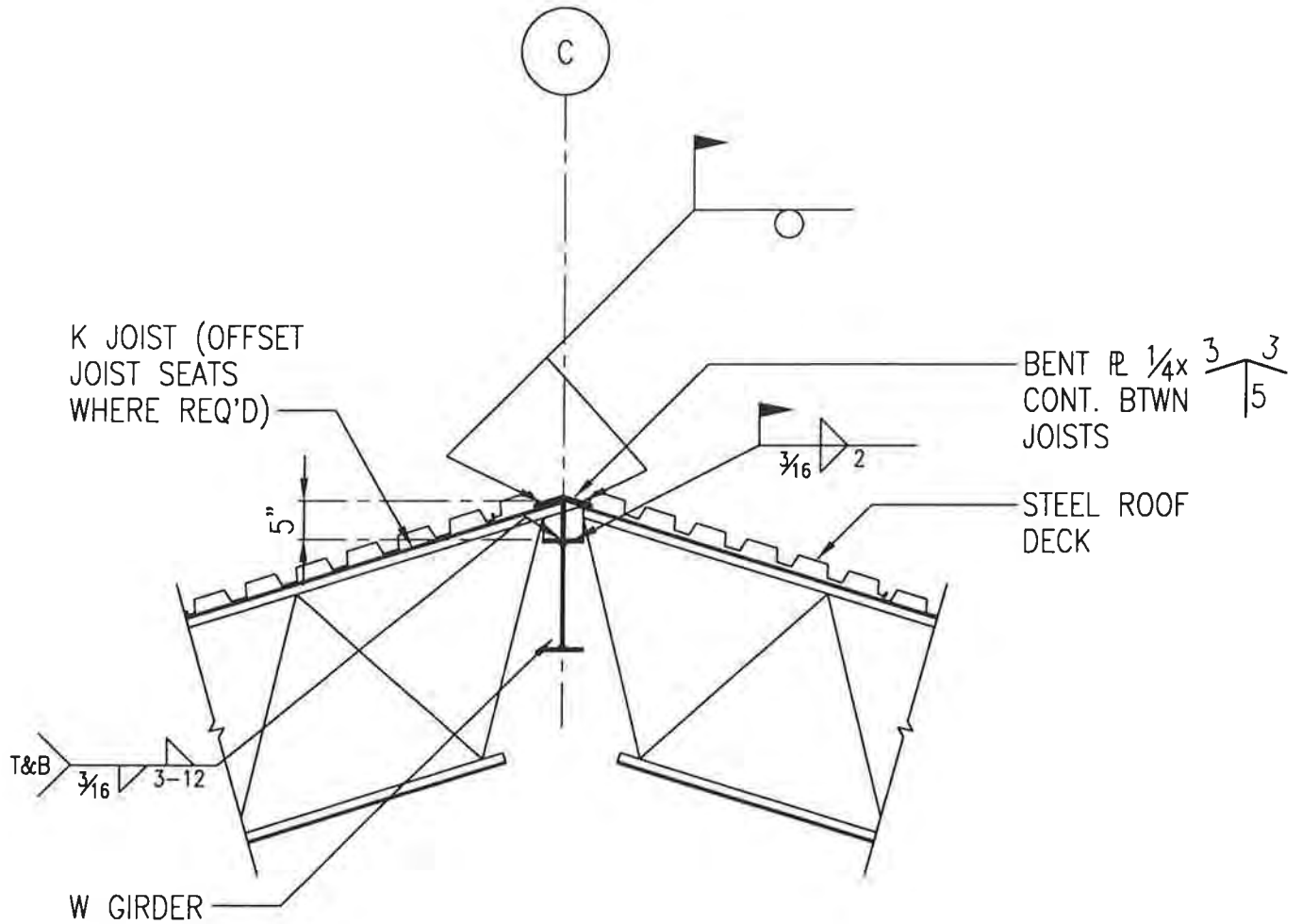
PROJECT NO.: 714.10
 DRAWN BY: KWK
 CHECKED BY: CM
 DATE: APRIL 10, 1998



Unalaska Library

CROSS REF: DETAIL NUMBER:

B1-111



STEEL JOIST TO W GIRDER AT RIDGE

SCALE: $\frac{3}{4}'' = 1'-0''$

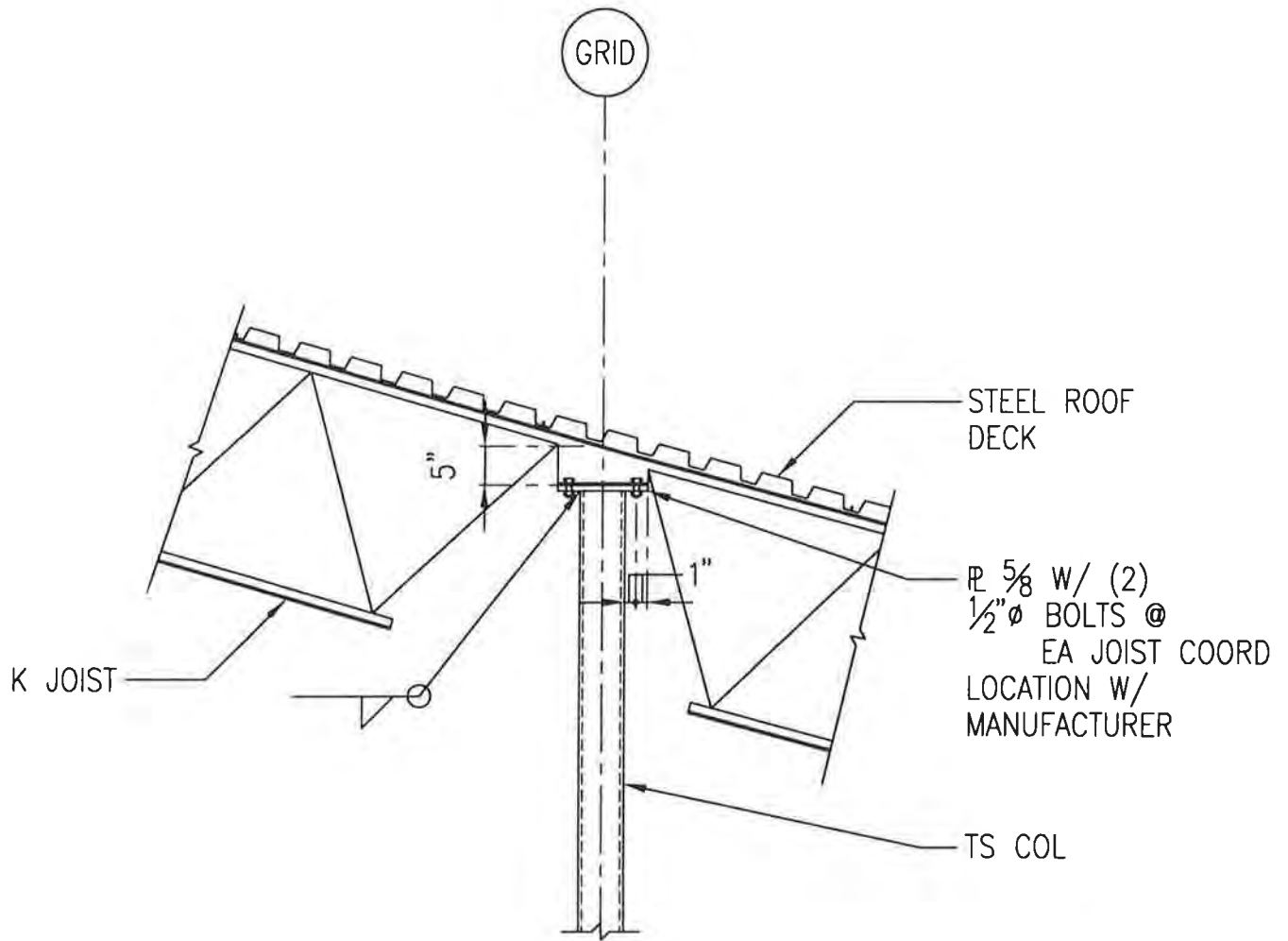
PROJECT NO.: 714.10
 DRAWN BY: KWK
 CHECKED BY: CM
 DATE: APRIL 10, 1998



Unalaska Library

CROSS REF: DETAIL NUMBER:

B1-112



STEEL JOIST TO TS COLUMN

SCALE: NTS

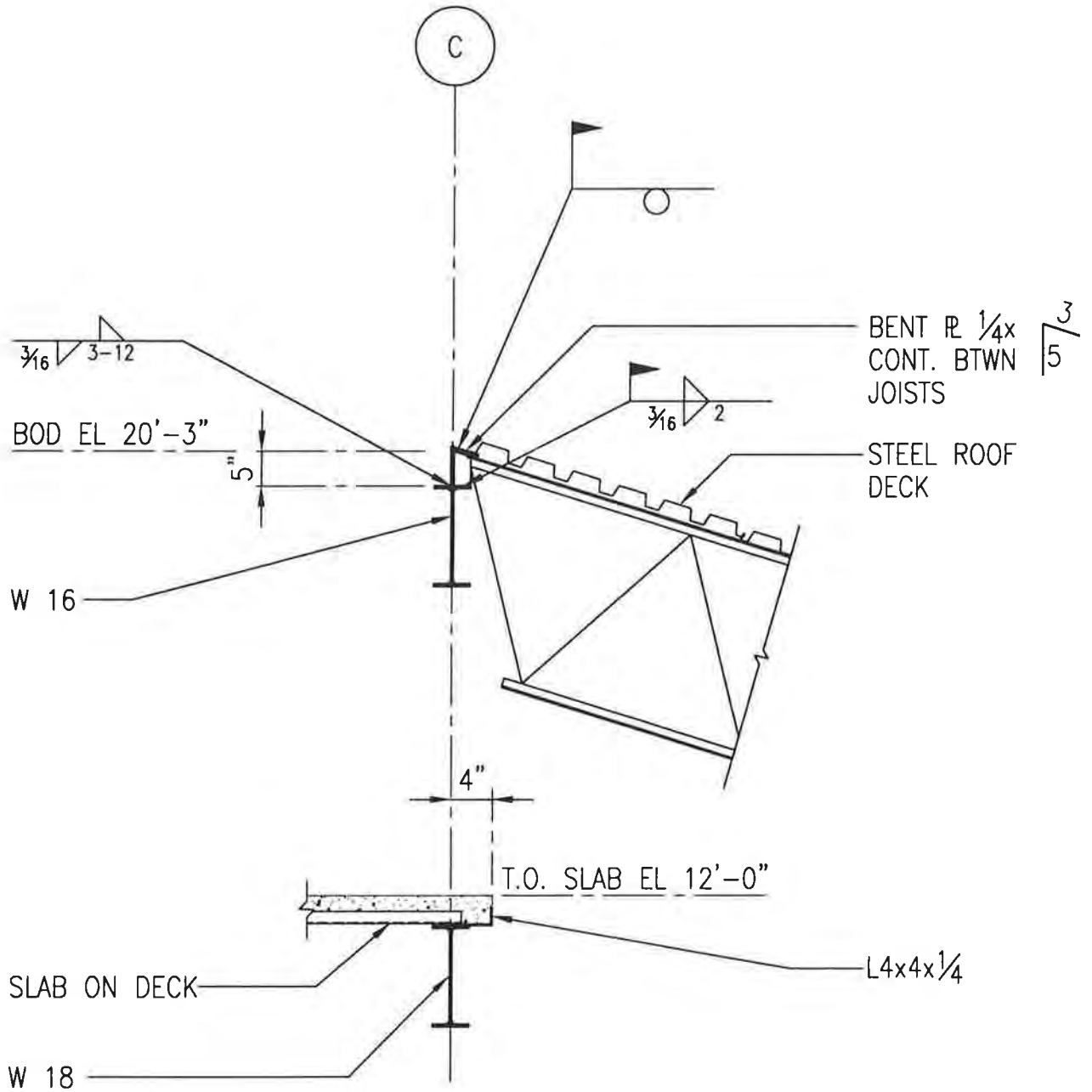
PROJECT NO.: 714.10
 DRAWN BY: KWK
 CHECKED BY: CM
 DATE: APRIL 10, 1998



Unalaska Library

CROSS REF: DETAIL NUMBER:

B1-113



ROOF RIDGE @ FAN ROOM

SCALE: 3/4" = 1'-0"

PROJECT NO.: 714.10
 DRAWN BY: KWK
 CHECKED BY: CM
 DATE: APRIL 10, 1998



Unalaska Library

CROSS REF: DETAIL NUMBER:

B1-114

TABLE 1 SINGLE-PLATE SHEAR CONNECTIONS				
BEAM SIZES	HSB REQ	SHEAR PL THICKNESS	WELD SIZE	HSB SIZE & TYPE
W8 TO W12	2	3/8"	5/16"	3/4"Ø - A325N
W14 TO W18	3	3/8"	5/16"	3/4"Ø - A325N
W21 TO W24	4	3/8"	5/16"	3/4"Ø - A325N
W27 TO W30	5	3/8"	5/16"	3/4"Ø - A325N
W33 TO W36	6	3/8"	5/16"	3/4"Ø - A325N

NOTES:

1. ALL HSB TO BE FULLY TIGHTENED.
2. FABRICATE SHEAR PLATES WITH HORIZ SHORT-SLOTTED HOLES AND BEAMS WITH STANDARD HOLES.
3. HSB VERT SPACING = 3" MIN.
EDGE DIST. = 1 1/2" MIN.

TYPICAL STEEL BEAM CONNECTION TABLE

SCALE: 3/4"=1'-0"

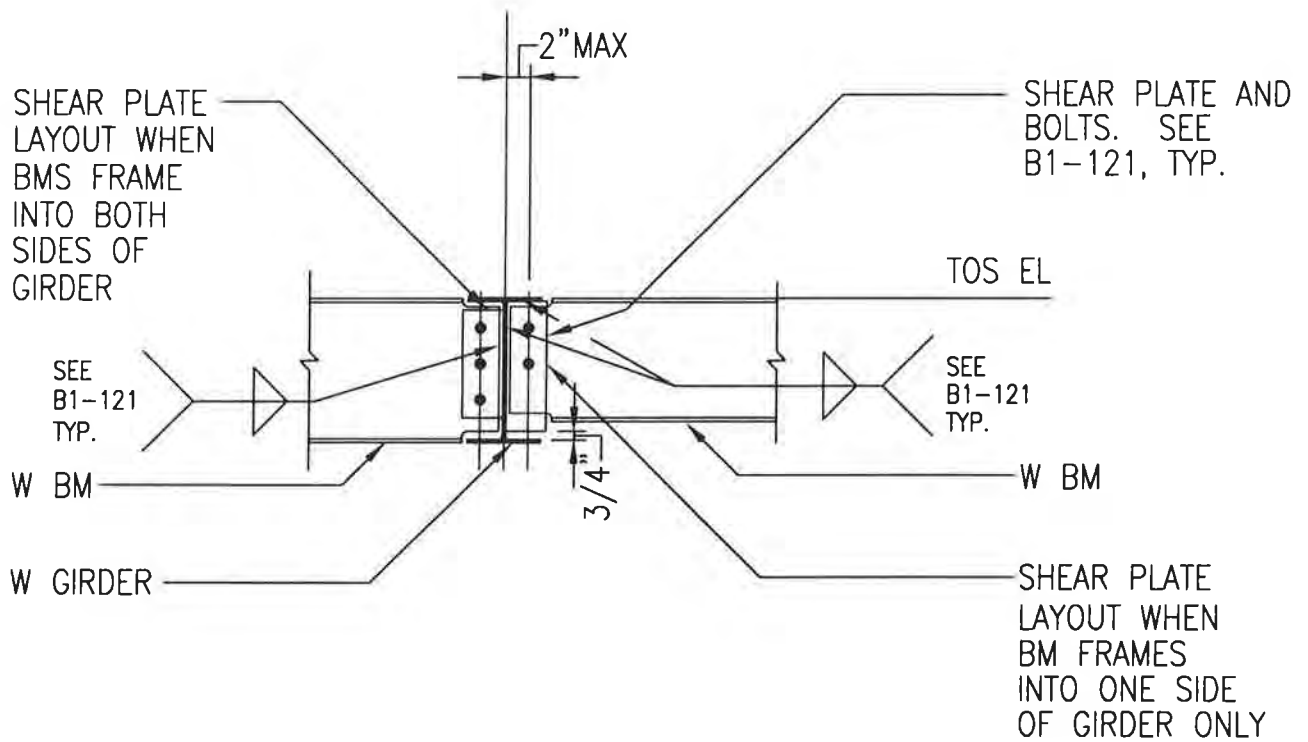
PROJECT NO.: 714.10
DRAWN BY: KWK
CHECKED BY: CM
DATE: APRIL 10, 1998



Unalaska Library

CROSS REF: DETAIL NUMBER:

B1-120



TYPICAL BEAM TO W GIRDER

SCALE: 3/4" = 1'-0"

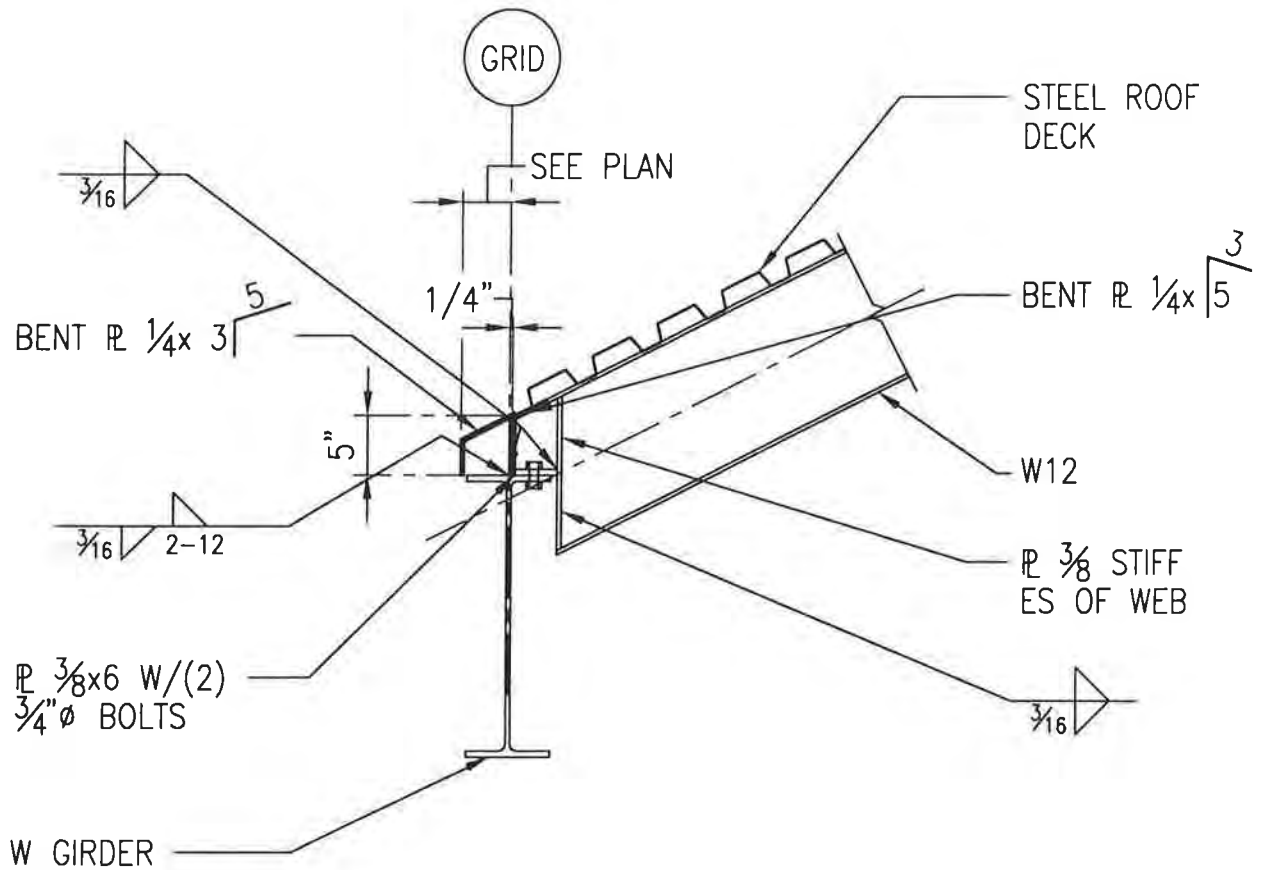
PROJECT NO.: 714.10
 DRAWN BY: KWK
 CHECKED BY: CM
 DATE: APRIL 10, 1998



Unalaska Library

CROSS REF: DETAIL NUMBER:

B1-121



SLOPE W BEAM TO W GIRDER

SCALE: 3/4" = 1'-0"

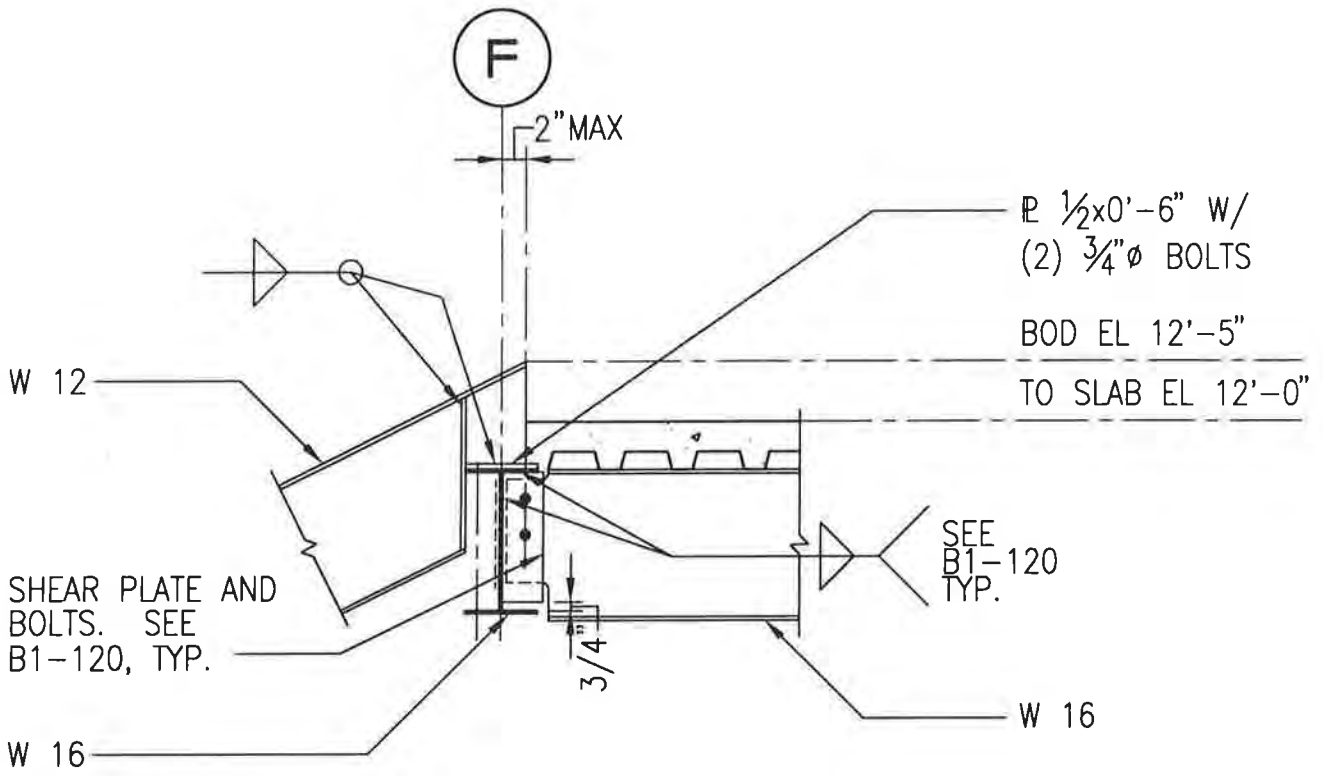
PROJECT NO.: 714.10
 DRAWN BY: KWK
 CHECKED BY: CM
 DATE: APRIL 10, 1998



Unalaska Library

CROSS REF: DETAIL NUMBER:

B1-123



SLOPED EXIT BEAM TO FLOOR GIRDER

SCALE: 3/4" = 1'-0"

PROJECT NO.: 714.10
 DRAWN BY: KJK
 CHECKED BY: CM
 DATE: APRIL 10, 1998

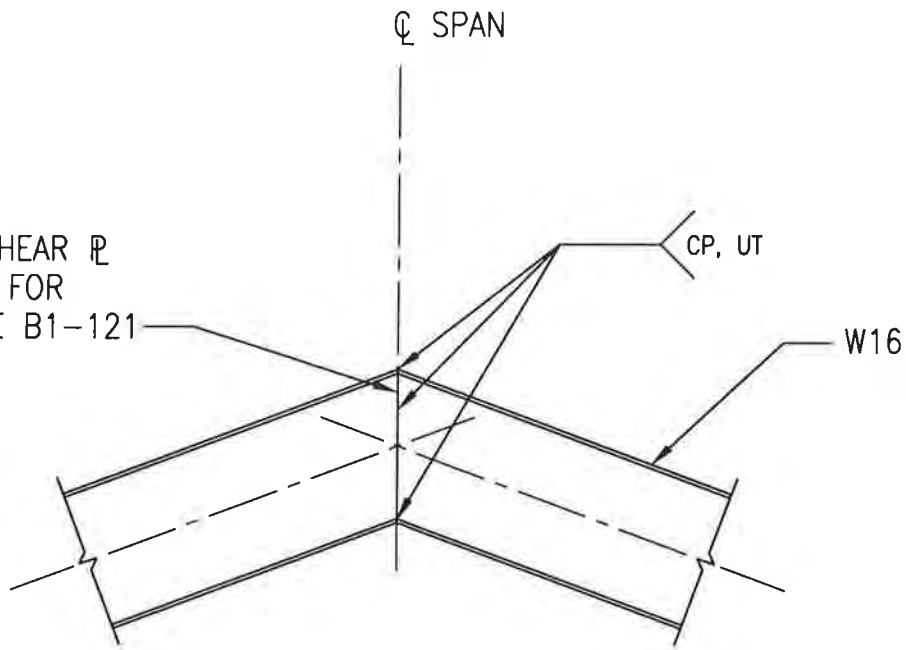


Unalaska Library

CROSS REF: DETAIL NUMBER:

B1-124

W BMS & SHEAR PLATE
NOT SHOWN FOR
CLARITY. SEE B1-121



FAN ROOM ROOF PEAK

SCALE: 3/4" = 1'-0"

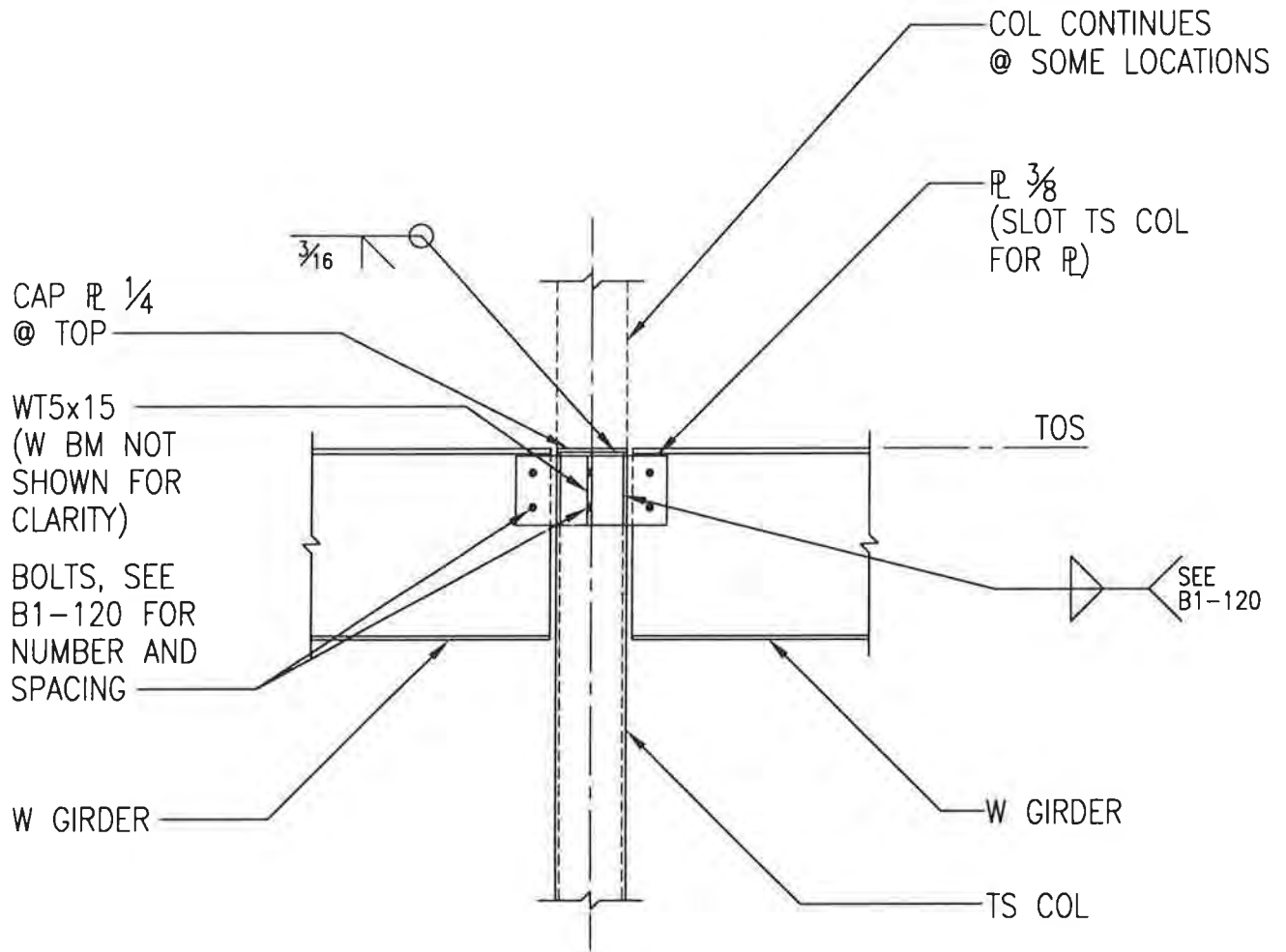
PROJECT NO.: 714.10
DRAWN BY: KWK
CHECKED BY: CM
DATE: APRIL 10, 1998



Unalaska Library

CROSS REF: DETAIL NUMBER:

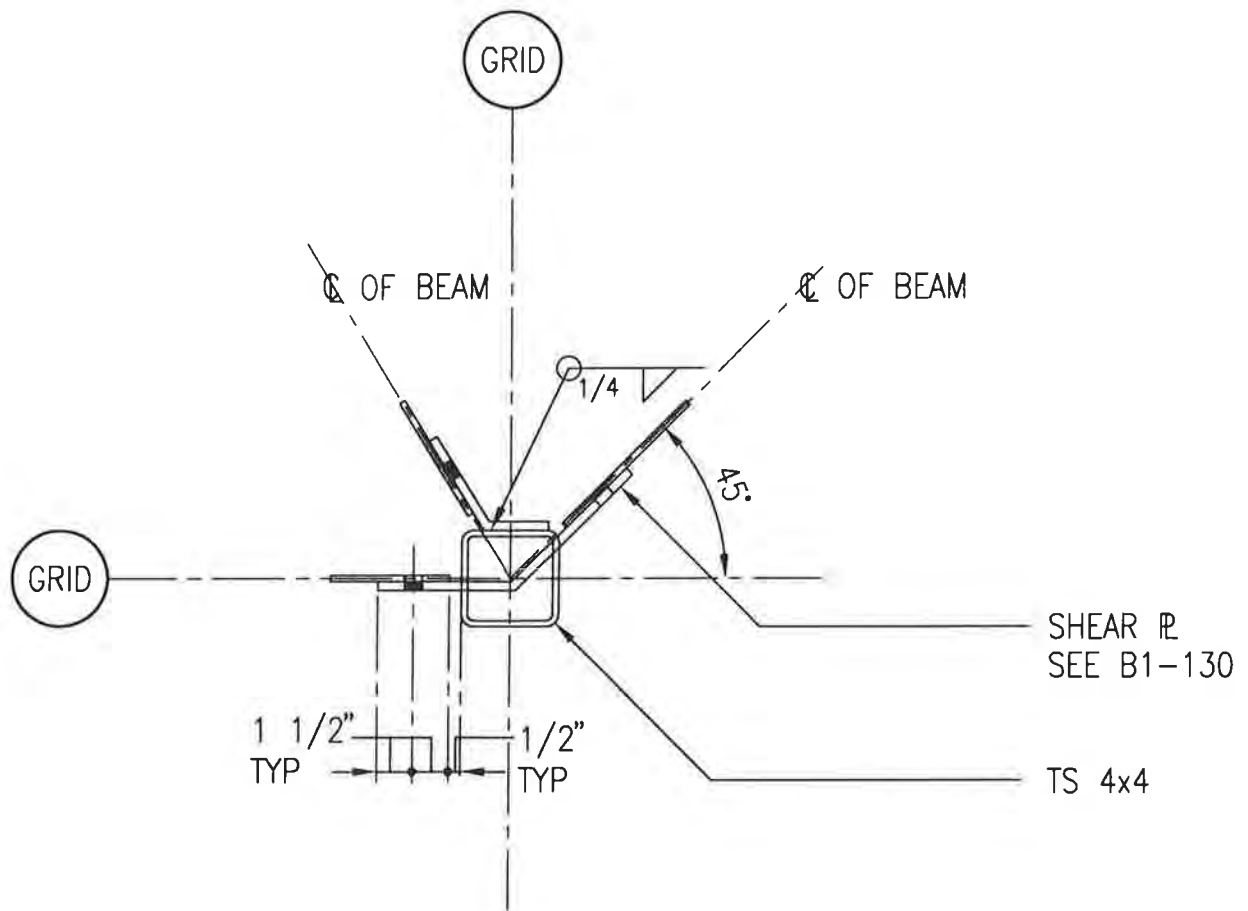
B1-125



TYPICAL STEEL BEAM TO TS COLUMN

SCALE: $\frac{3}{4}' = 1'-0''$

PROJECT NO.: 714.10
 DRAWN BY: KJK
 CHECKED BY: CM
 DATE: APRIL 10, 1998



W BM TO TS COL @ FAN ROOM CORNER

SCALE: 1 1/2" = 1'-0"

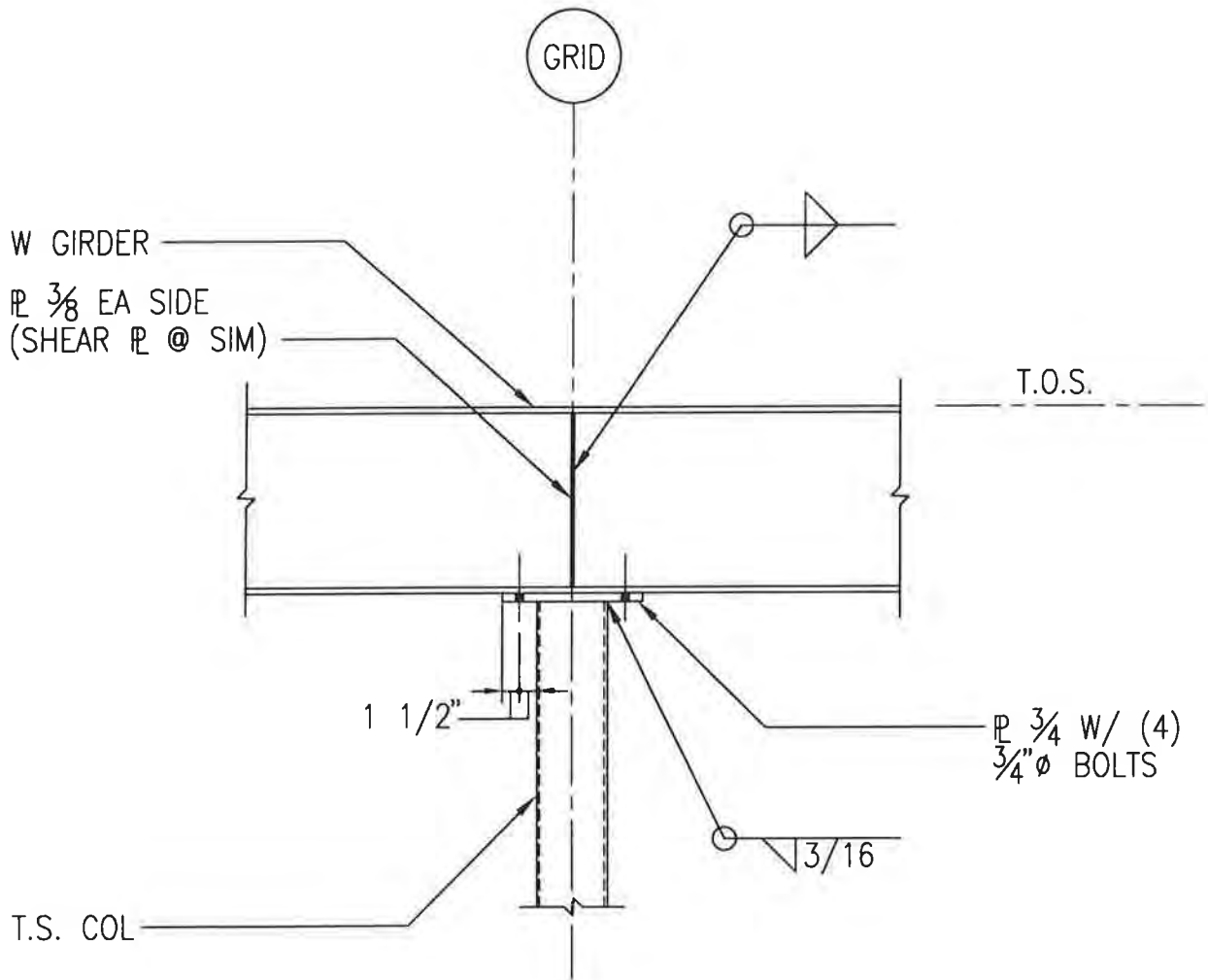
PROJECT NO.: 714.10
 DRAWN BY: KWK
 CHECKED BY: CM
 DATE: APRIL 10, 1998



Unalaska Library

CROSS REF: DETAIL NUMBER:

B1-131



TYP W GIRDER OVER TS COLUMN

SCALE: NTS

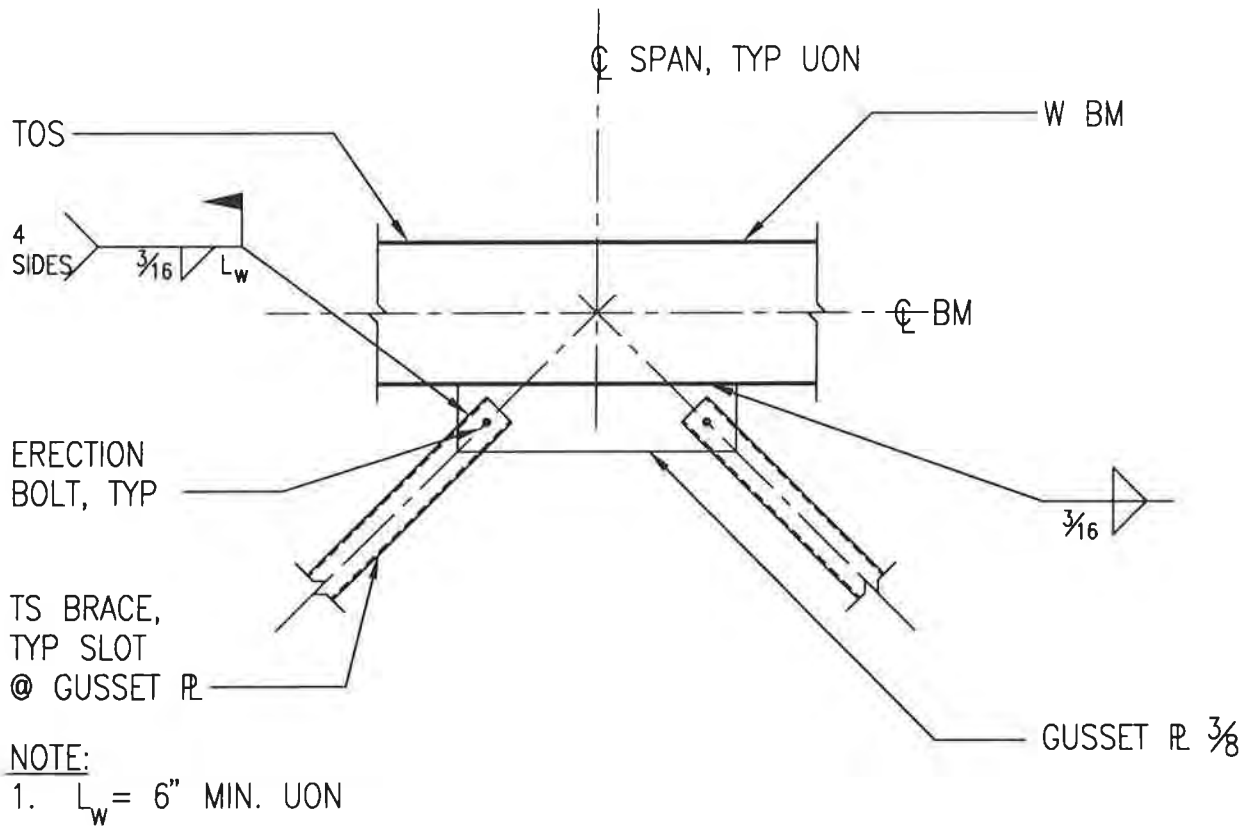
PROJECT NO.: 714.10
 DRAWN BY: KWK
 CHECKED BY: CM
 DATE: APRIL 10, 1998



Unalaska Library

CROSS REF: DETAIL NUMBER:

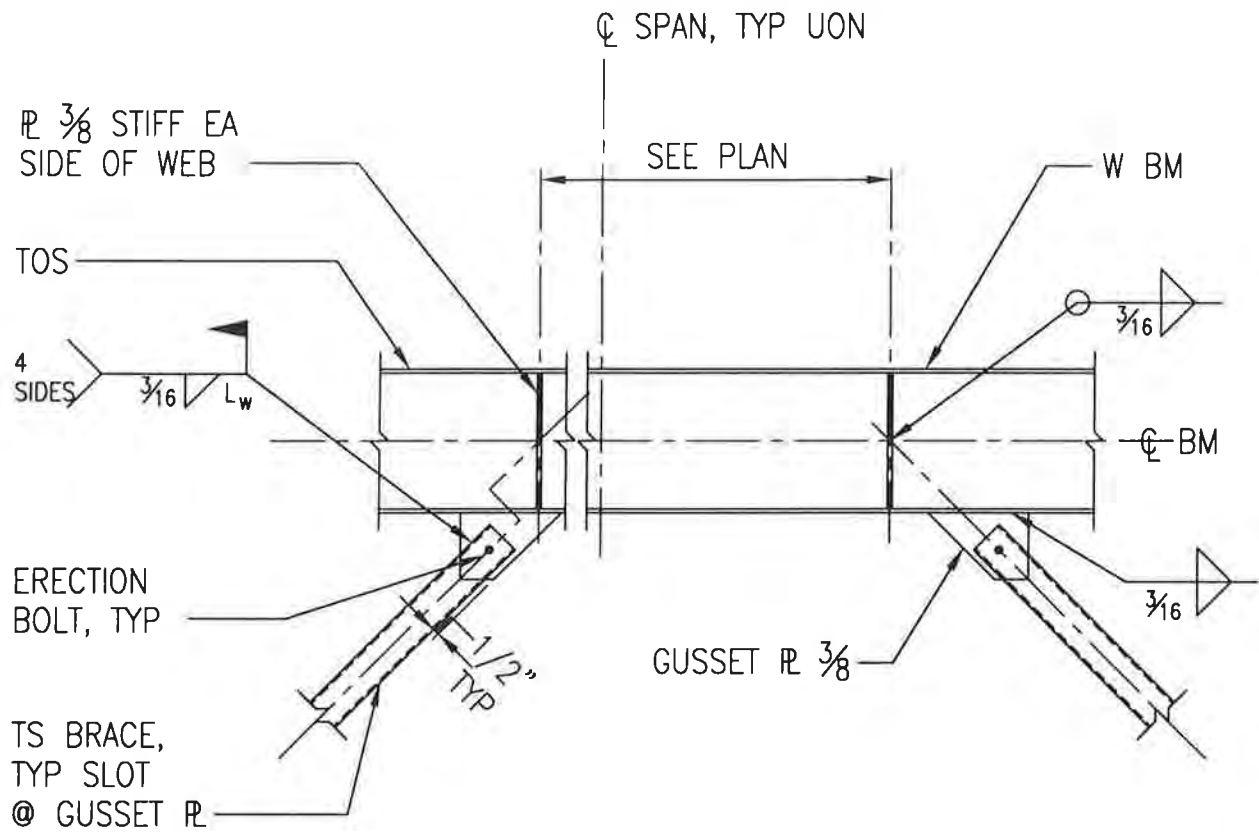
B1-132



TS BRACE TO W BEAM

SCALE: $\frac{3}{4}'' = 1'-0''$

PROJECT NO.: 714.10
 DRAWN BY: KJK
 CHECKED BY: CM
 DATE: APRIL 10, 1998



NOTE:

1. $L_w = 6"$ MIN. UON

ECCENTRIC TS BRACE TO W BEAM

SCALE: $3/4" = 1'-0"$

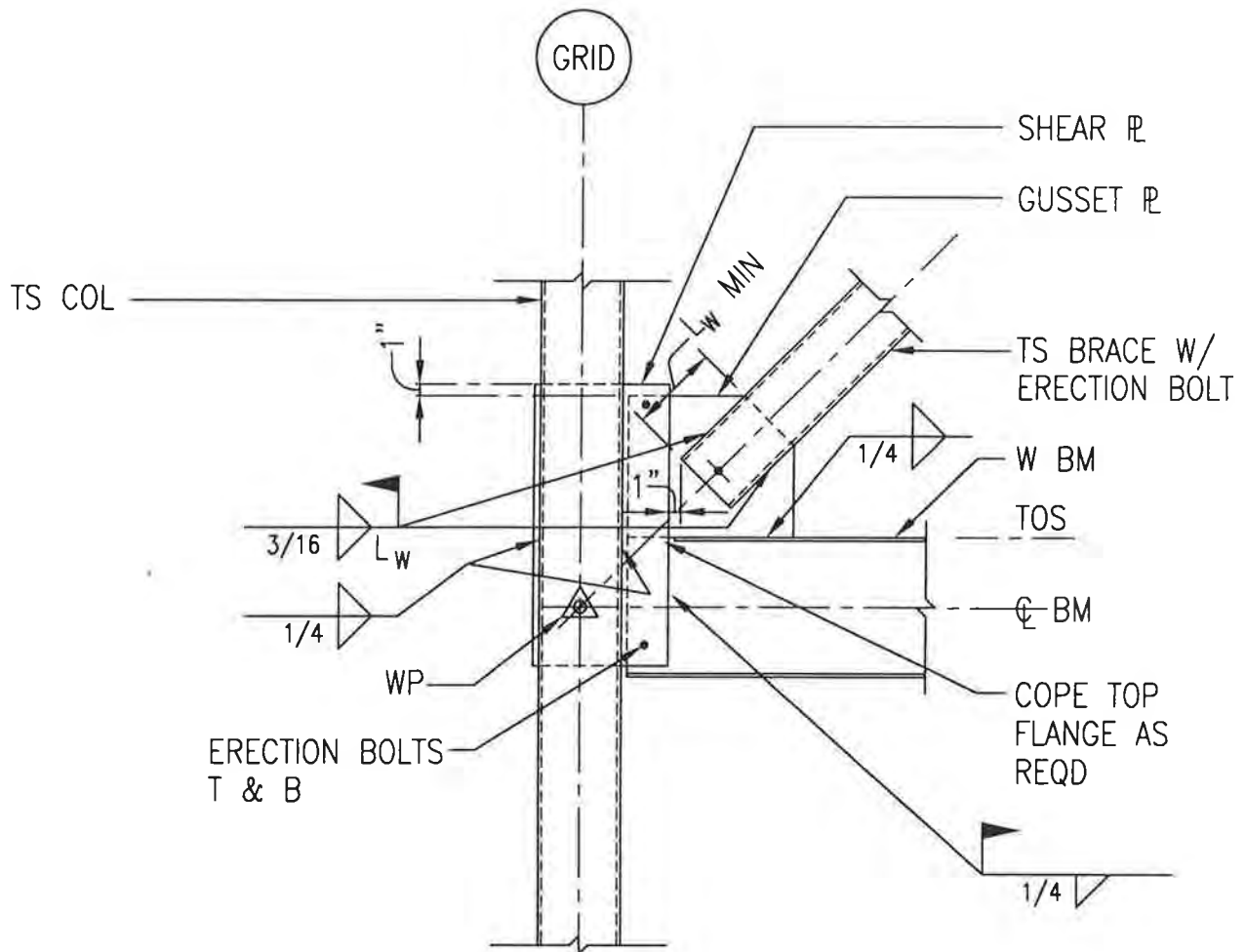
PROJECT NO.: 714.10
 DRAWN BY: KWK
 CHECKED BY: CM
 DATE: APRIL 10, 1998



Unalaska Library

CROSS REF: DETAIL NUMBER:

B1-141



NOTES:

1. SHEAR PL AND GUSSET PL SAME THICKNESS.
SEE TABLE 1 ON B1-120.
2. $L_w = 6''$ MIN UON.

TS BRACE TO W BEAM & TS COLUMN

SCALE: 3/4" = 1'-0"

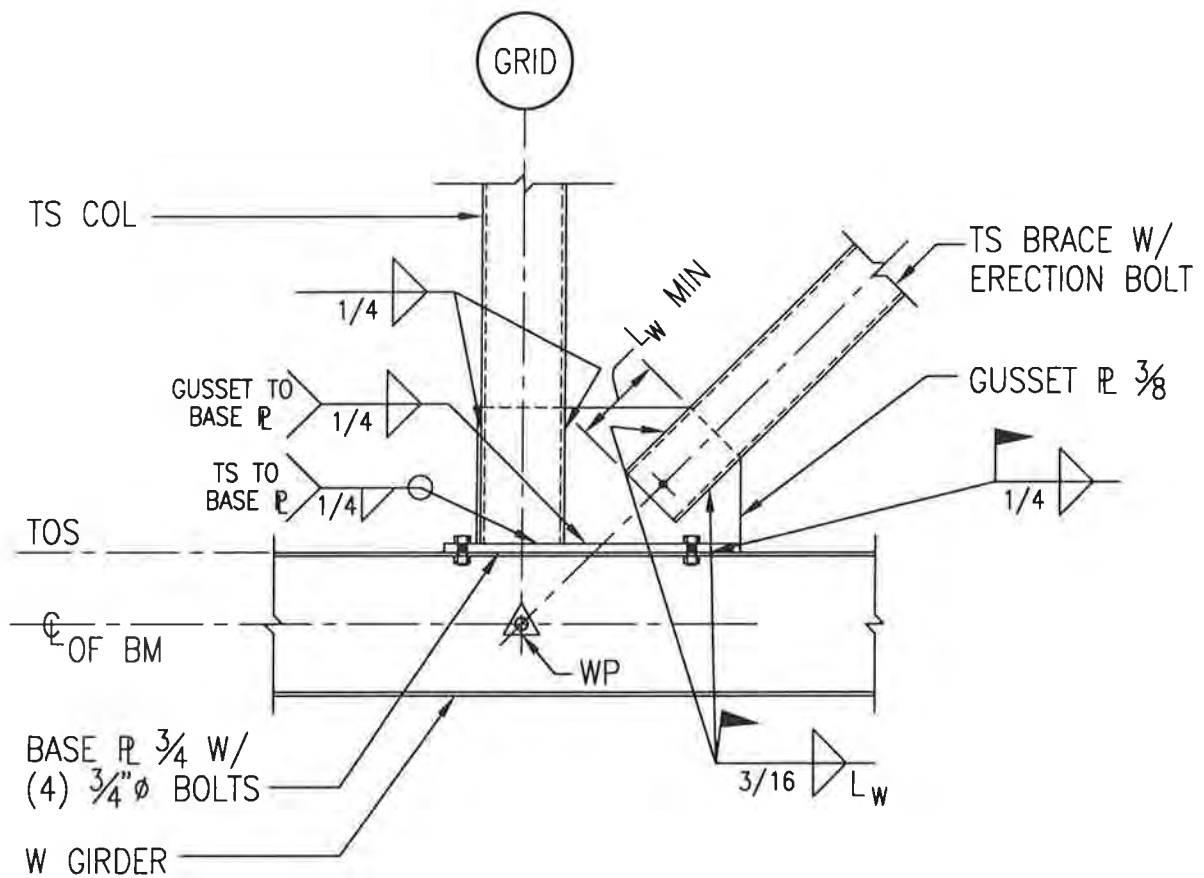
PROJECT NO.: 714.10
 DRAWN BY: KWK
 CHECKED BY: CM
 DATE: APRIL 10, 1998



Unalaska Library

CROSS REF: DETAIL NUMBER:

B1-142



NOTES:

1. $L_w = 6''$ MIN UON.

TS BRACE TO W GIRDER & TS COLUMN

SCALE: 3/4" = 1'-0"

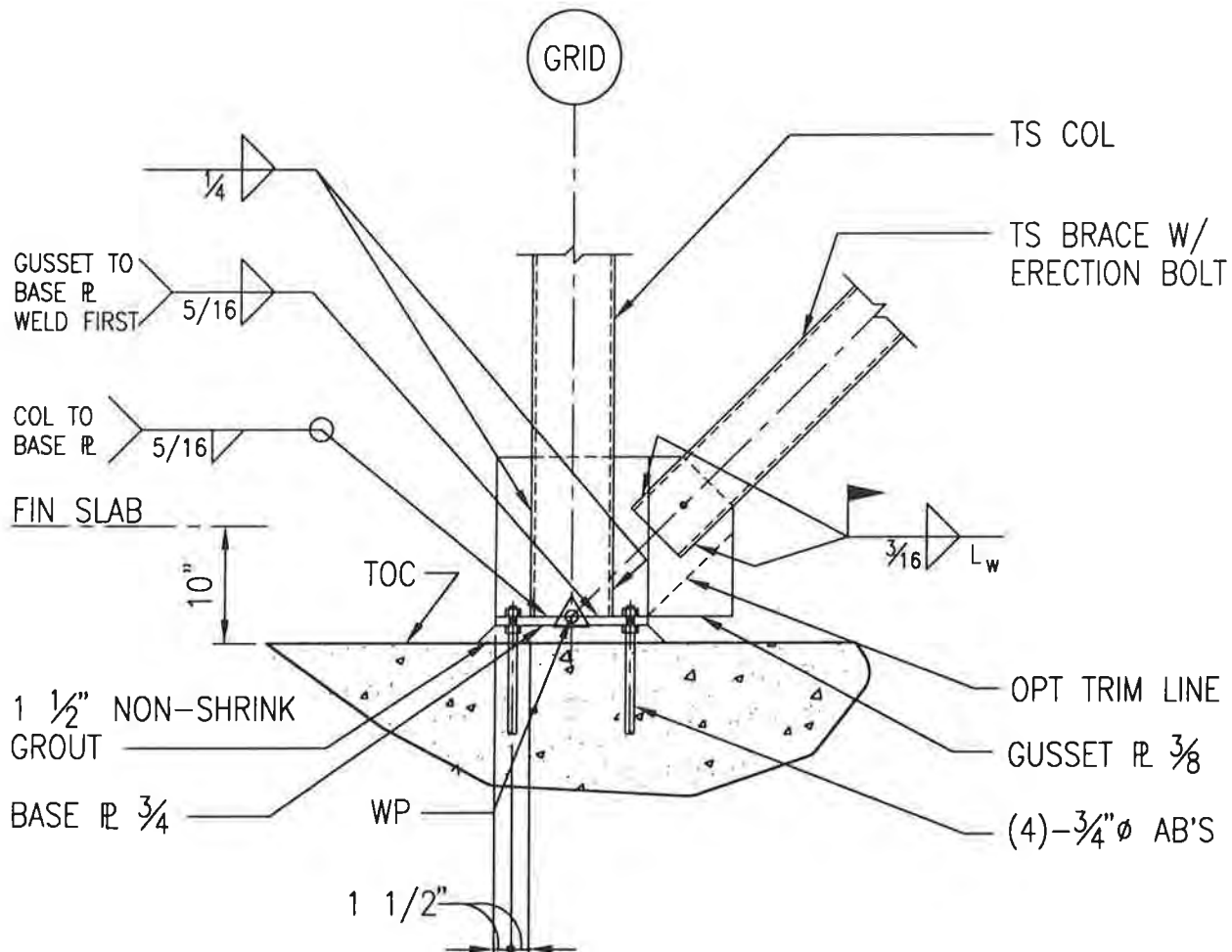
PROJECT NO.: 71420
 DRAWN BY: KWK
 CHECKED BY: CM
 DATE: APRIL 10, 1998



Unalaska Library

CROSS REF: DETAIL NUMBER:

B1-143



NOTE:
 $L_w = 6" \text{ MIN UON.}$

TS BRACE TO TS COLUMN BASE

SCALE: $3/4" = 1'-0"$

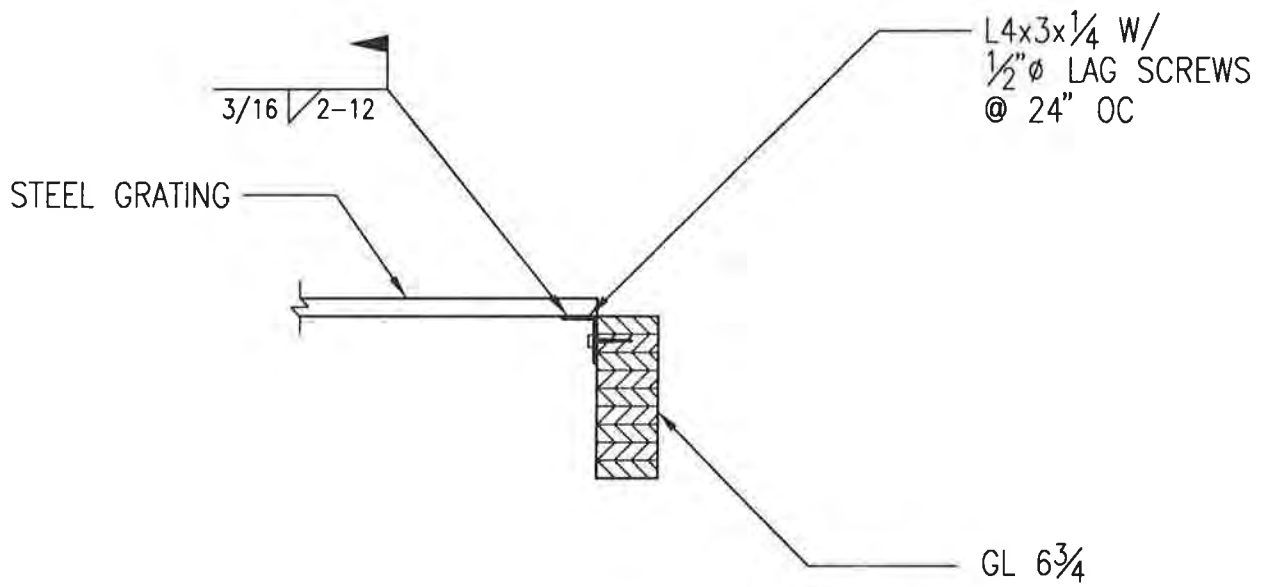
PROJECT NO.: 714.10
 DRAWN BY: KWK
 CHECKED BY: CM
 DATE: APRIL 10, 1998



Unalaska Library

CROSS REF: DETAIL NUMBER:

B1-144



BRIDGE GLULAM AND GRATING

SCALE: 3/4" = 1'-0"

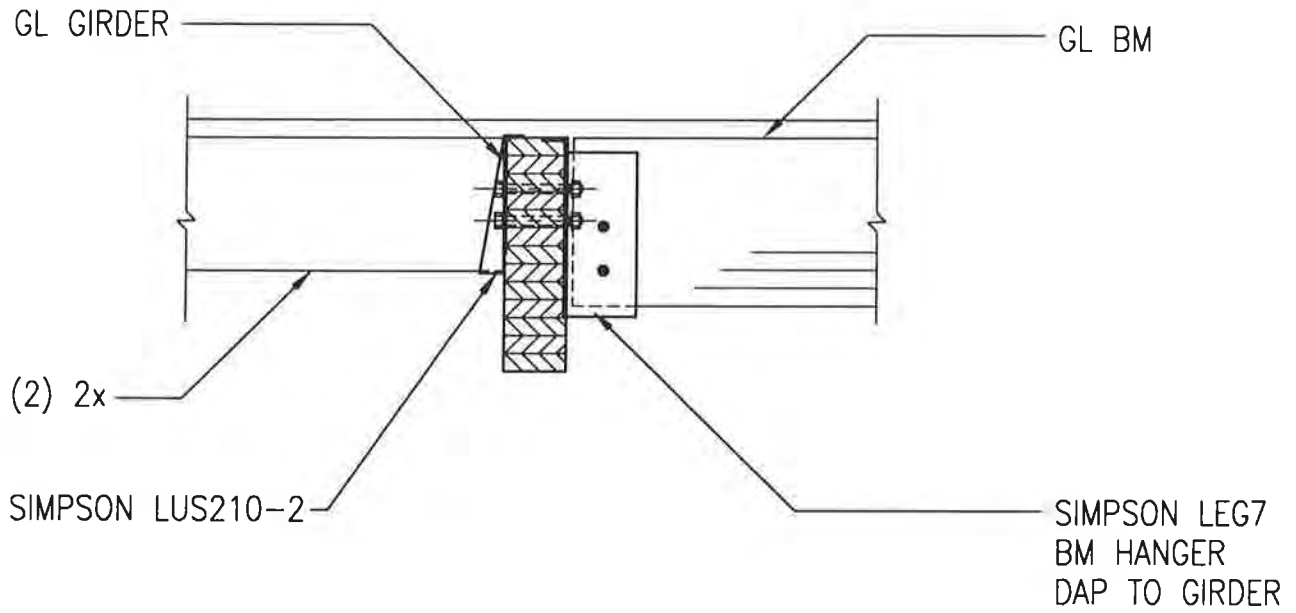
PROJECT NO.: 114.10
 DRAWN BY: KWK
 CHECKED BY: CM
 DATE: APRIL 10, 1998



Unalaska Library

CROSS REF: DETAIL NUMBER:

B1-150



GLULAM BEAM TO GLULAM BEAM

SCALE: 3/4" = 1'-0"

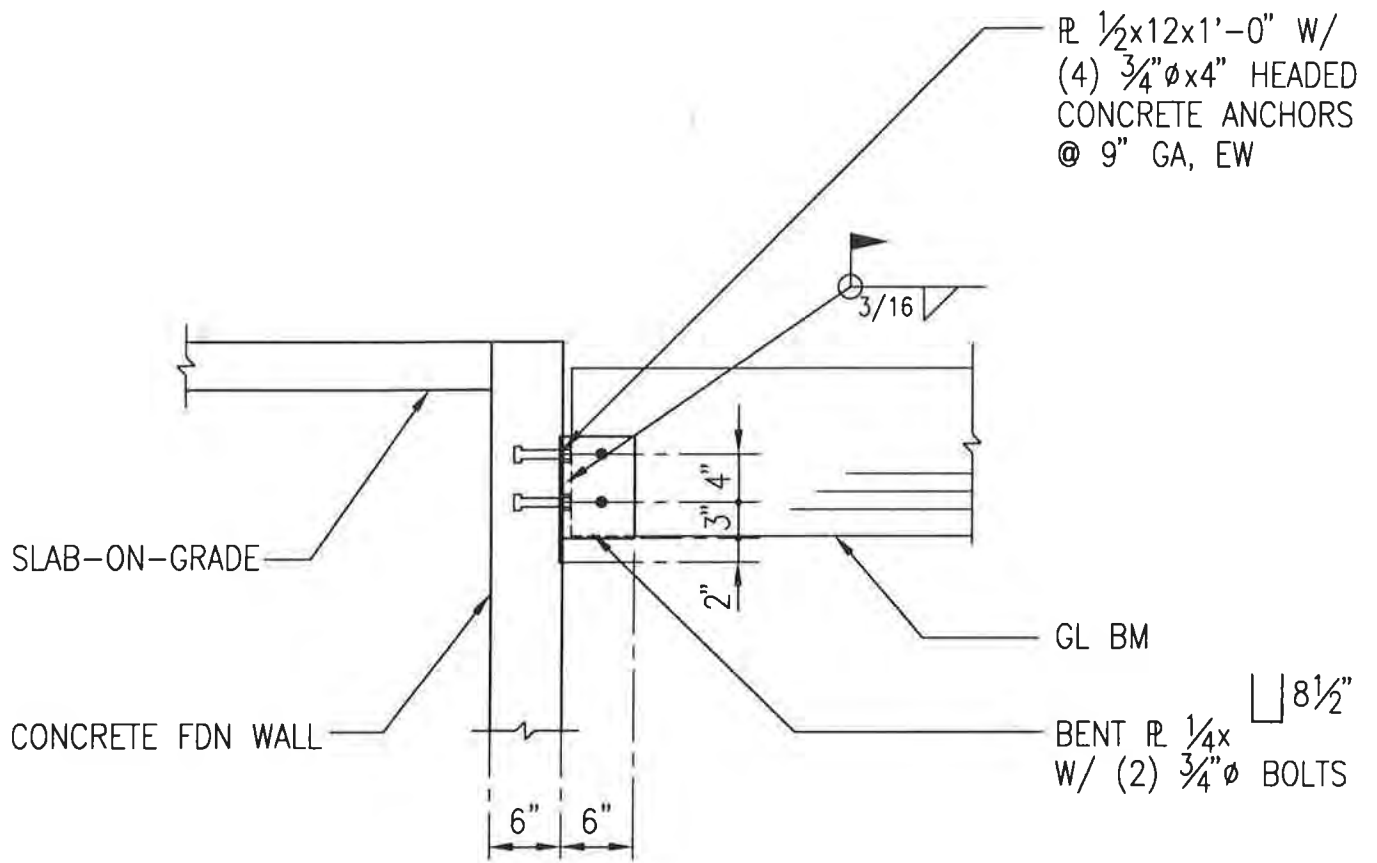
PROJECT NO.: 714.10
 DRAWN BY: KWK
 CHECKED BY: CM
 DATE: APRIL 10, 1998



Unalaska Library

CROSS REF: DETAIL NUMBER:

B1-151



GLULAM BEAM TO CONCRETE WALL

SCALE: $\frac{3}{4}$ " = 1'-0"

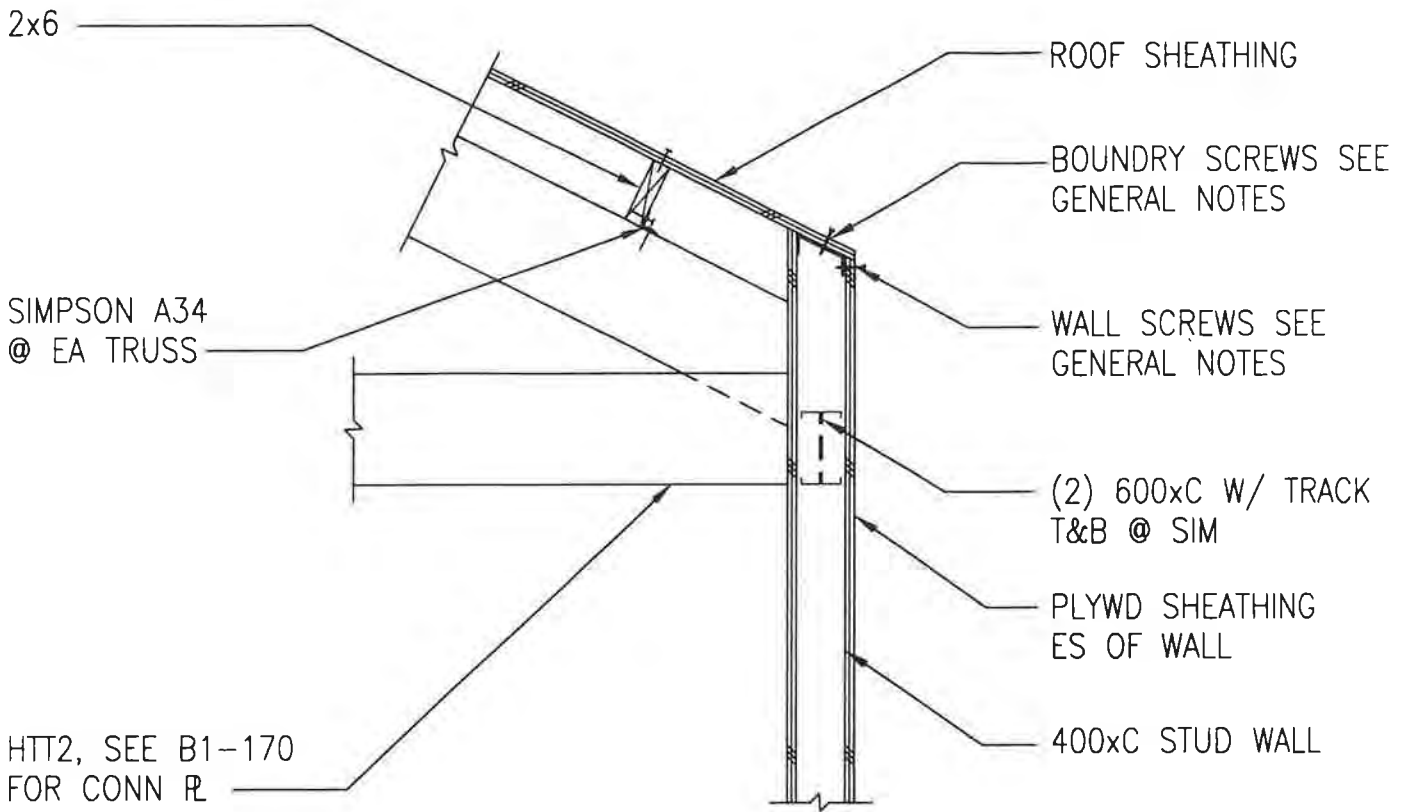
PROJECT NO.: 714.10
 DRAWN BY: KWK
 CHECKED BY: CM
 DATE: APRIL 10, 1998

LIVINGSTON
STONE
 ARCHITECTURE
 ENGINEERING
 PLANNING
 INTERIOR DESIGN

Unalaska Library

CROSS REF: DETAIL NUMBER:

B1-152



TYPICAL BRIDGE ROOF EAVE (ALT E1)

SCALE: 3/4" = 1'-0"

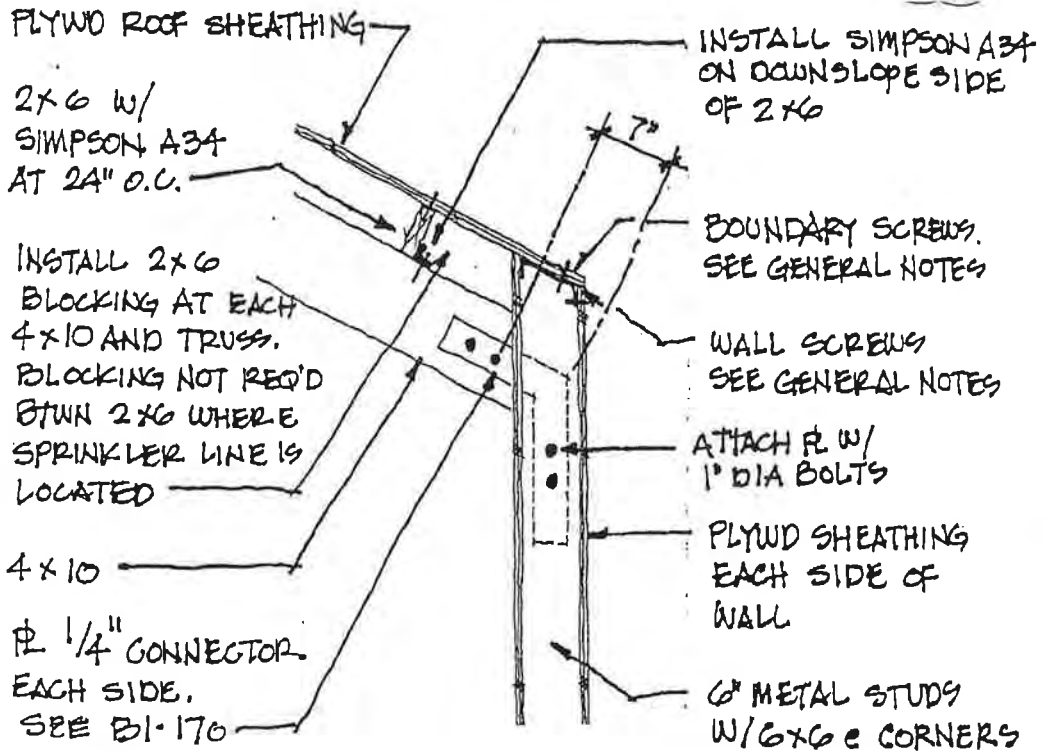
PROJECT NO.: 714.10
 DRAWN BY: KWK
 CHECKED BY: CM
 DATE: APRIL 10, 1998



Unalaska Library

CROSS REF: DETAIL NUMBER:

B1-160



PCVR 59

REVISED PAVILION ROOF EAVE DETAIL B1-161

SCALE: 3/4" = 1'-0"

PROJECT NO.: 714.117
DRAWN BY: JB
CHECKED BY: -
DATE: FEB. 18, 1999



Unalaska Library

CROSS REF: DETAIL NUMBER:

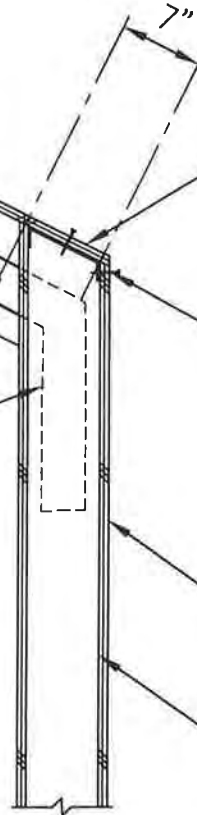
AS-038

PLYWOOD ROOF SHEATHING

2x6 W/ SIMPSON
U26 @ EA END

4x10

R 1/4 CONNECTOR
ES SEE B1-170



BOUNDRY SCREWS SEE
GENERAL NOTES

WALL SCREWS SEE
GENERAL NOTES

PLYWD SHEATHING
ES OF WALL

6" MTL STUD WALL
W/ 4x6 @ CORNERS

PAVILION ROOF EAVE (ALT NO.1)

SCALE: 3/4" = 1'-0"

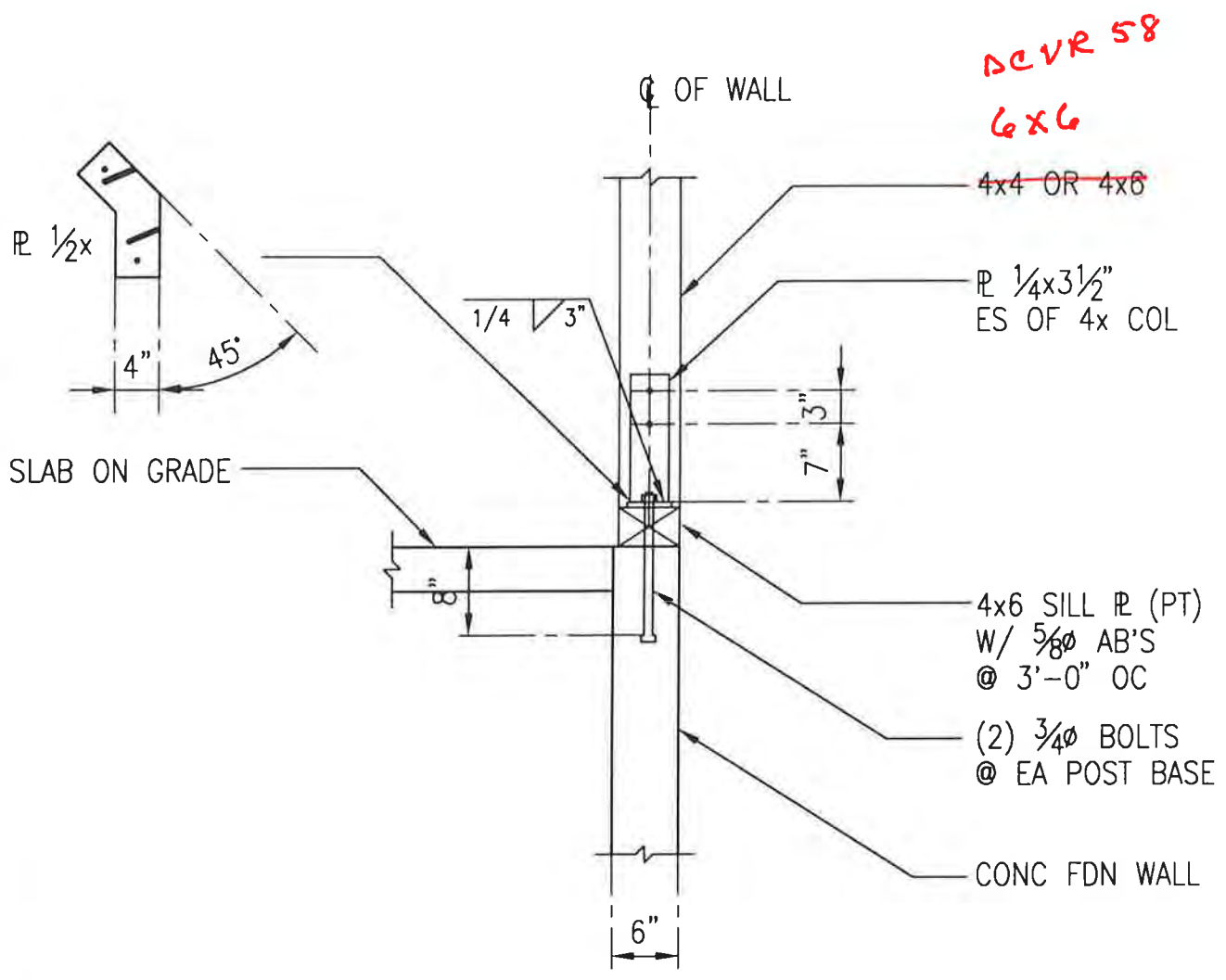
PROJECT NO.: 714.10
DRAWN BY: KUK
CHECKED BY: CM
DATE: APRIL 10, 1998

LIVINGSTON
STONE ARCHITECTURE
ENGINEERING
PLANNING
INTERIOR DESIGN

Unalaska Library

CROSS REF: DETAIL NUMBER:

B1-161



TIMBER POST AT CONCRETE BASE (ALT NO.1)

SCALE: 3/4" = 1'-0"

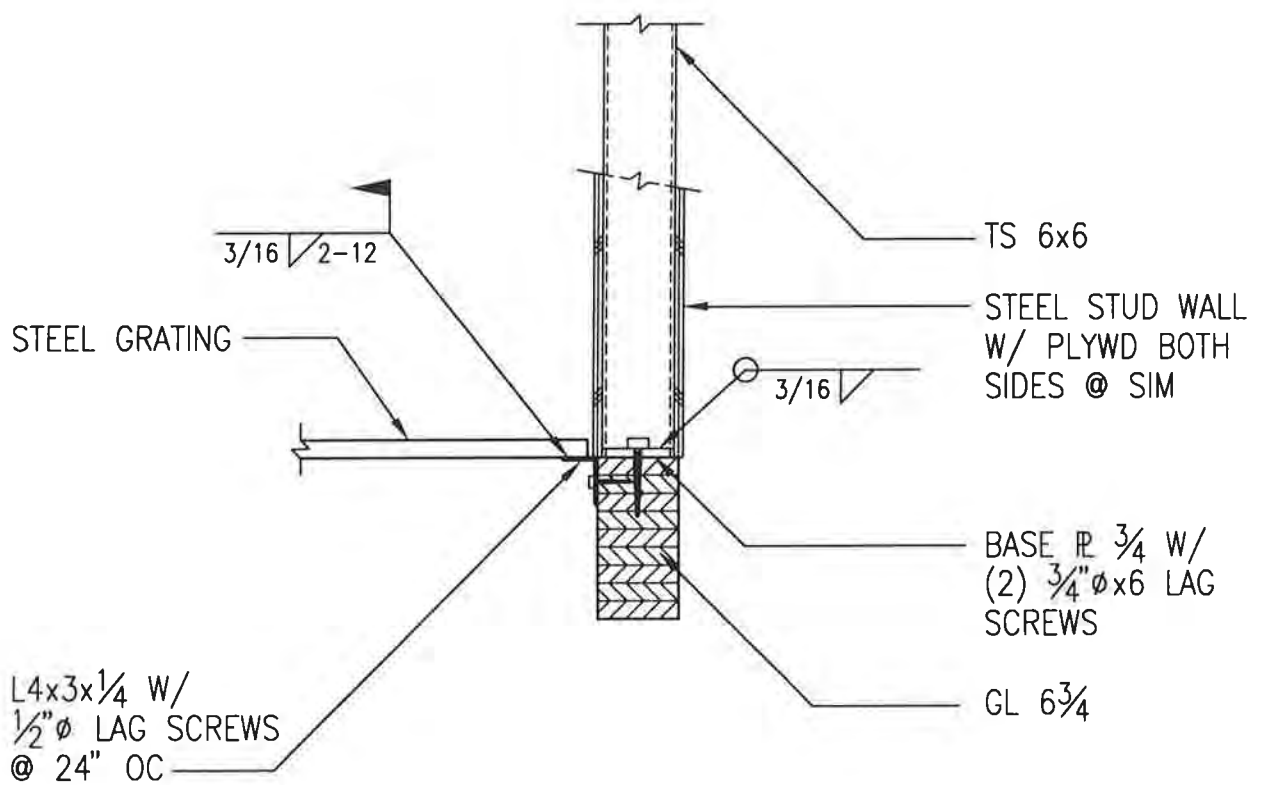
PROJECT NO.: 714.10
 DRAWN BY: KWK
 CHECKED BY: CM
 DATE: APRIL 10, 1998



Unalaska Library

CROSS REF: DETAIL NUMBER:

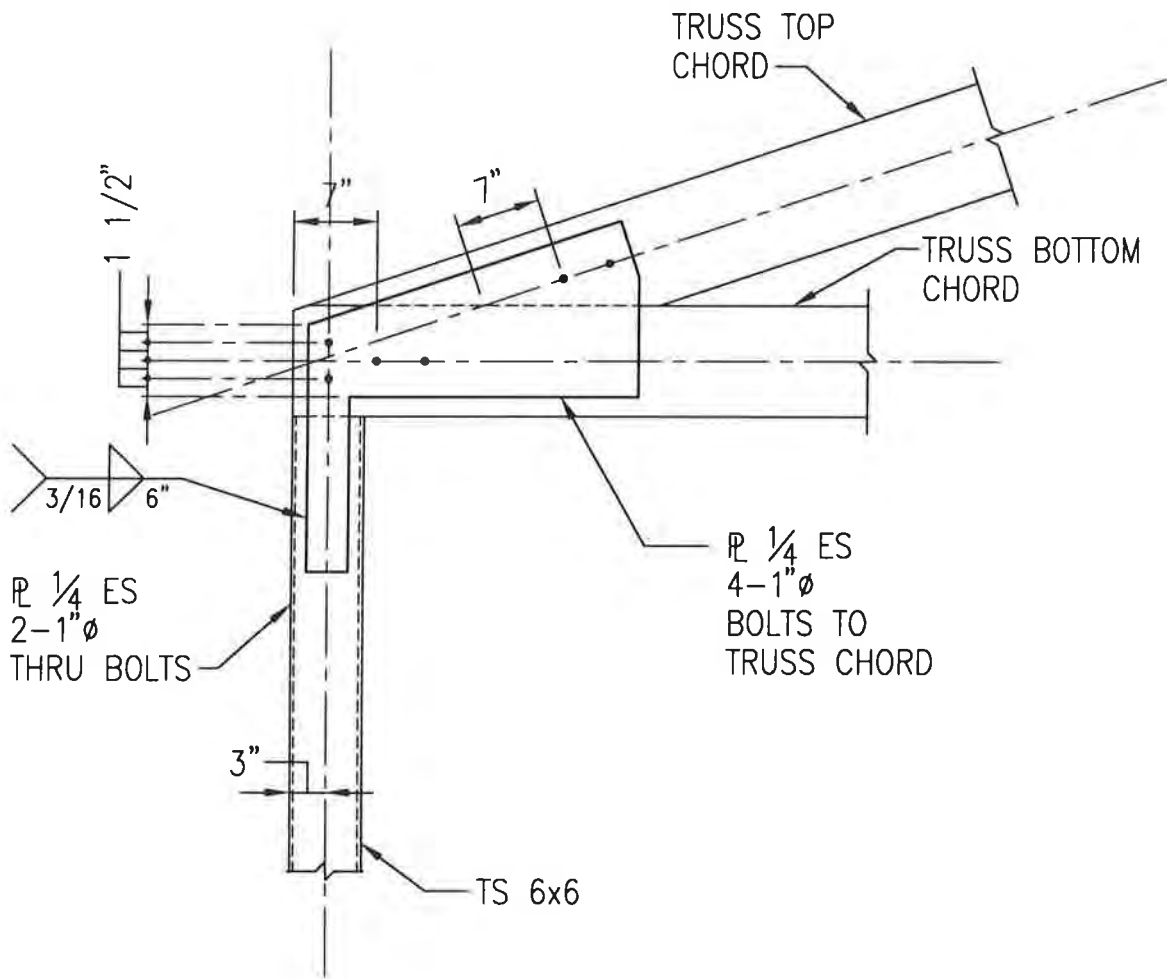
B1-162



STEEL POST AT GL BEAM (ALT NO. 1)

SCALE: 3/4" = 1'-0"

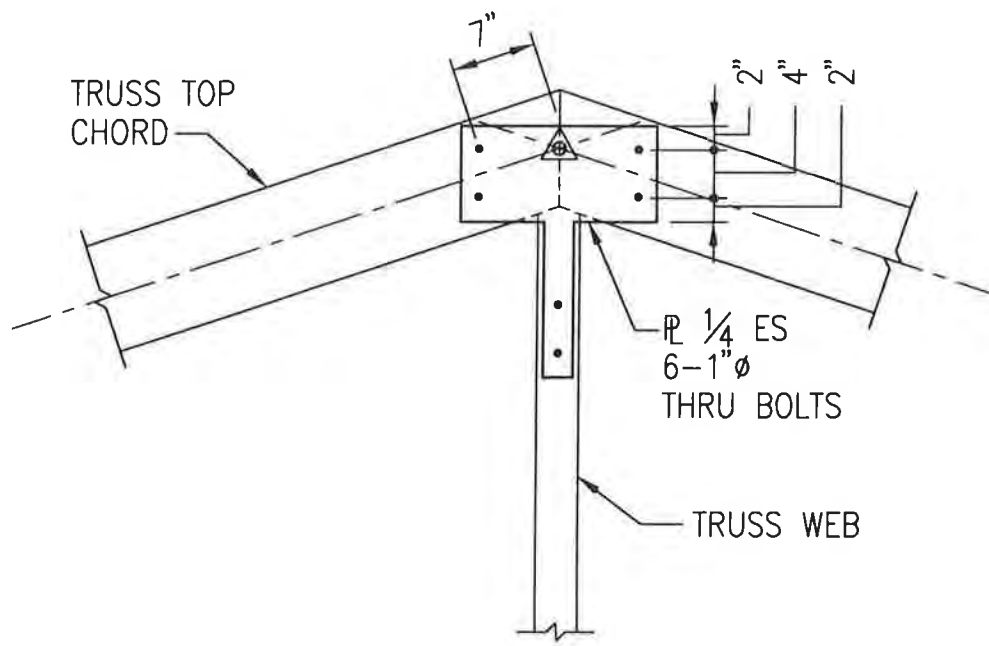
PROJECT NO.: 714.10
DRAWN BY: KWK
CHECKED BY: CM
DATE: APRIL 10, 1998



ADD ALT NO. 1 - TRUSS HTT2 @ EAVE

SCALE: 3/4" = 1'-0"

PROJECT NO.: 714.10
 DRAWN BY: KWK
 CHECKED BY: CM
 DATE: APRIL 10, 1998



ADD ALT NO. 1 - TRUSS HTT2 @ RIDGE

SCALE: 3/4" = 1'-0"

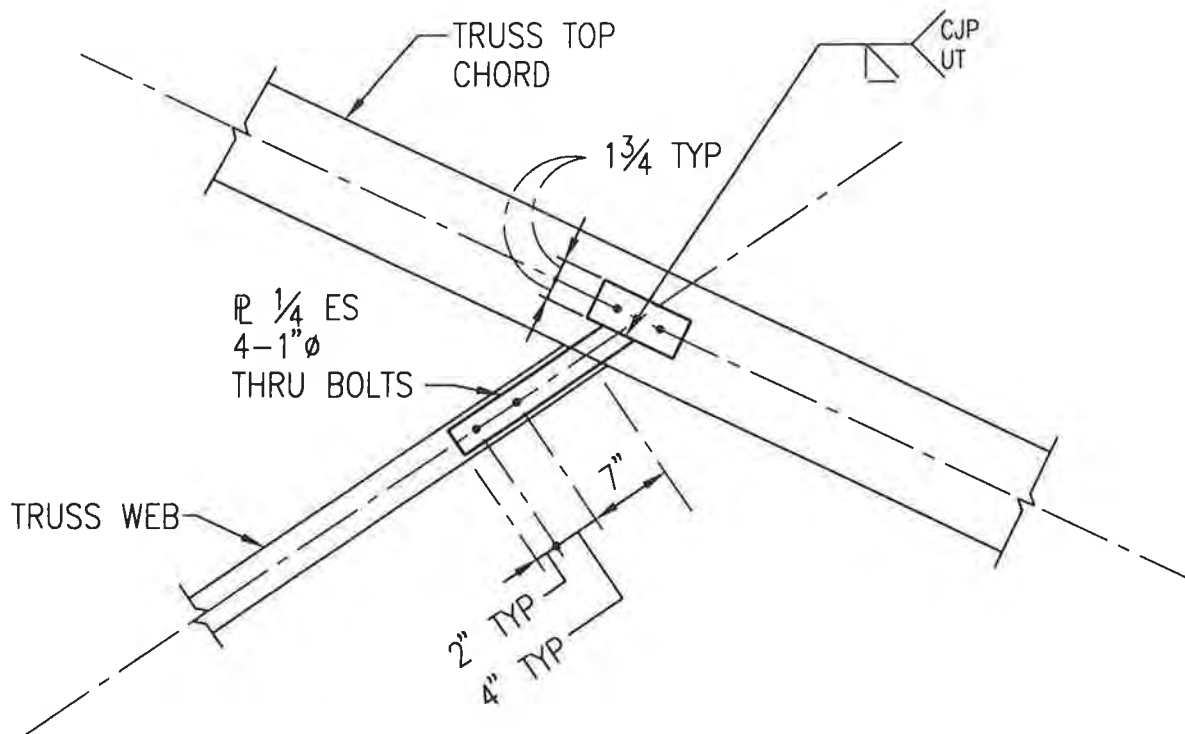
PROJECT NO.: 714.10
 DRAWN BY: KWK
 CHECKED BY: CM
 DATE: APRIL 10, 1998



Unalaska Library

CROSS REF: DETAIL NUMBER:

B1-171



ADD ALT NO. 1 - TRUSS HTT1 WEB TO CHORD

SCALE: 3/4" = 1'-0"

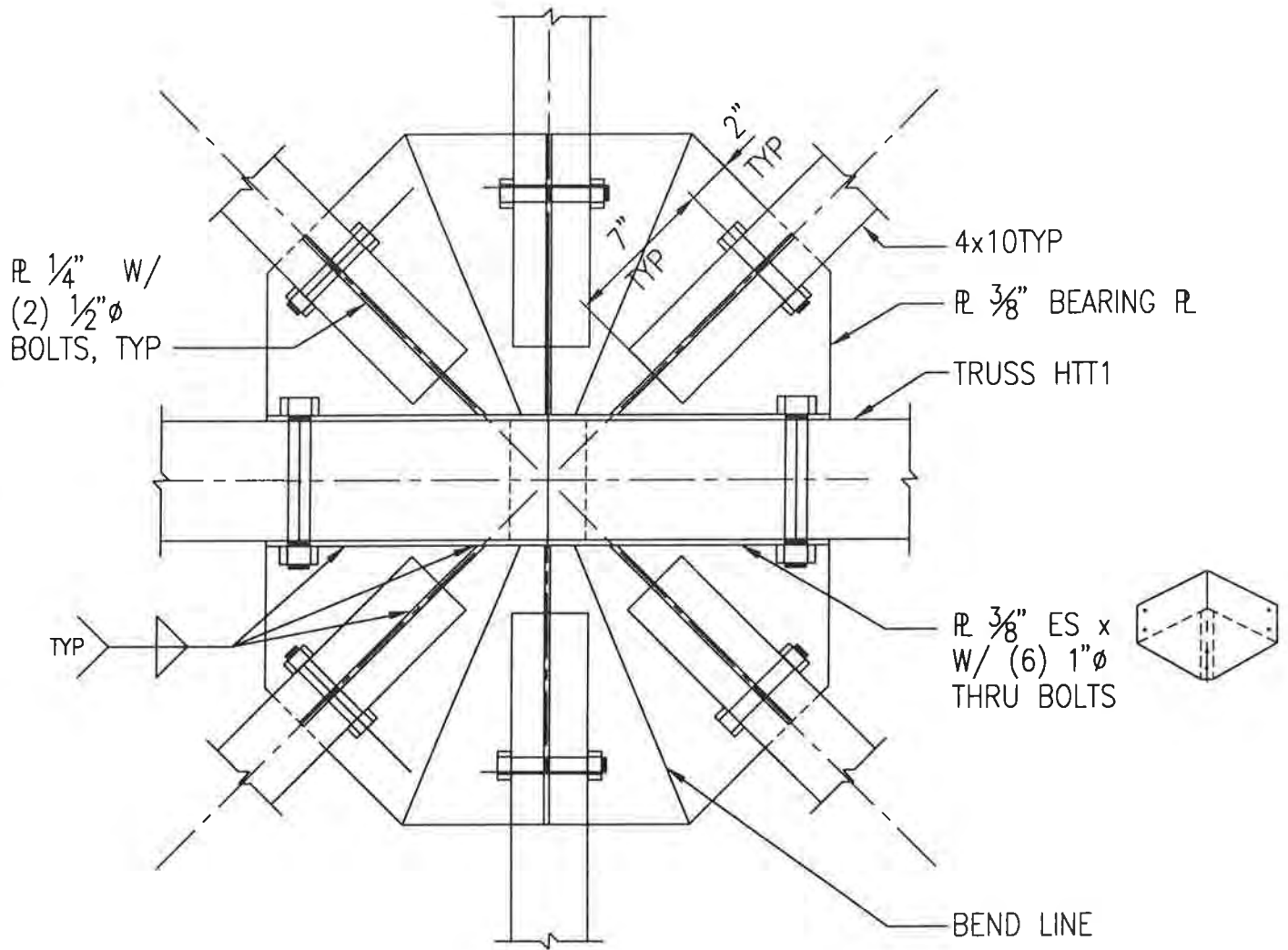
PROJECT NO.: 714.10
 DRAWN BY: KWK
 CHECKED BY: CM
 DATE: APRIL 10, 1998



Unalaska Library

CROSS REF: DETAIL NUMBER:

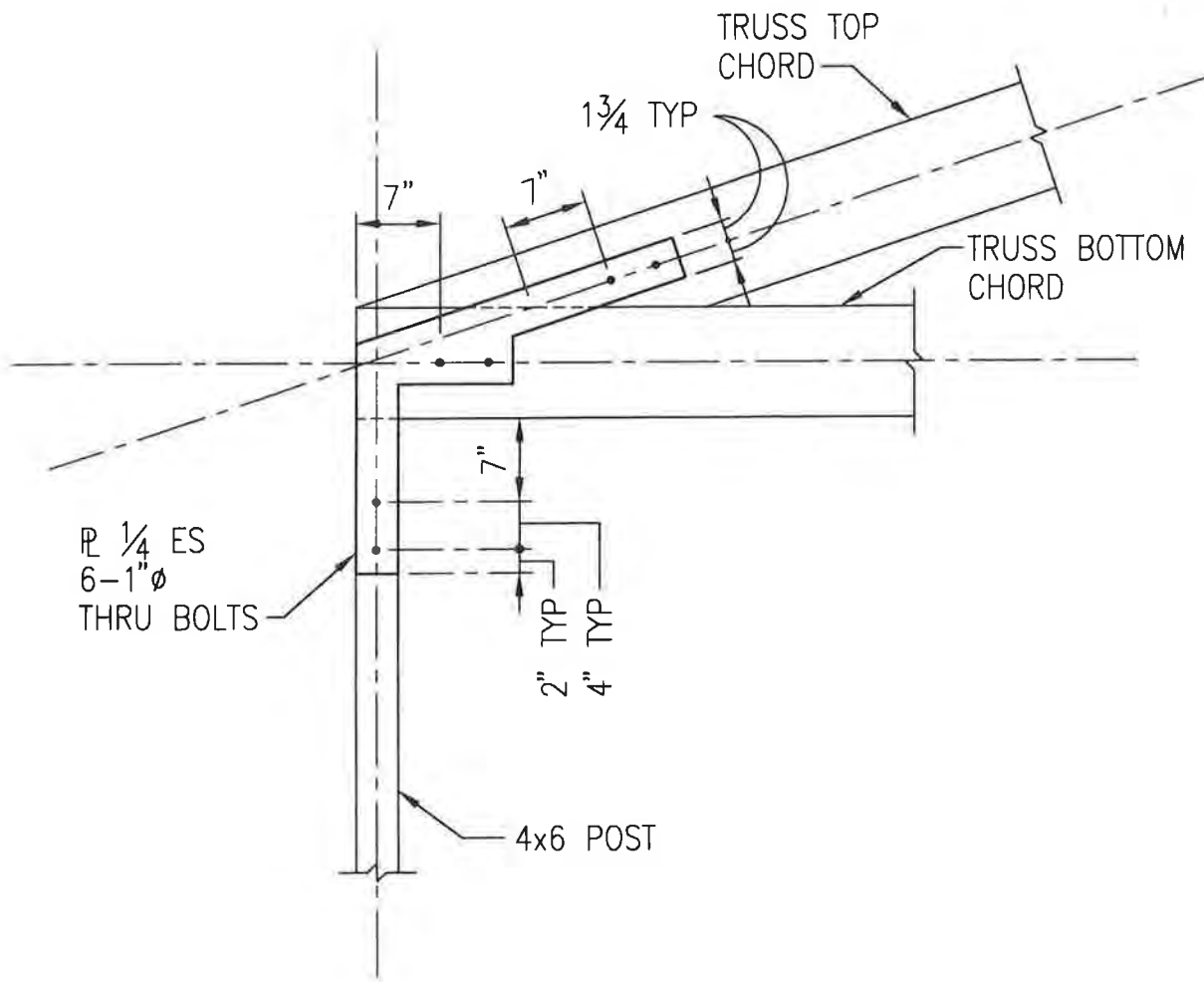
B1-172



ADD ALT NO.1 - PAVILION TRUSS RIDGE

SCALE: 1 1/2" = 1'-0"

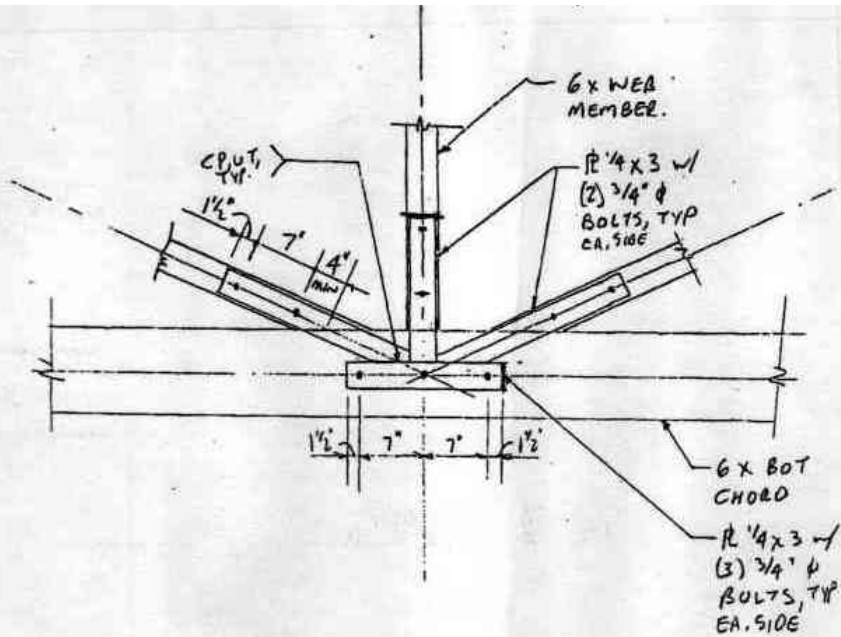
PROJECT NO.: 714.10
 DRAWN BY: KWK
 CHECKED BY: CM
 DATE: APRIL 10, 1998



ADD ALT NO. 1 - TRUSS HTT1 @ EAVE

SCALE: 3/4" = 1'-0"

PROJECT NO.: 714.10
 DRAWN BY: KWK
 CHECKED BY: CM
 DATE: APRIL 10, 1998



A4/S401

BOTTOM CHORD CONN @ HTTI

SCALE: 3/4" = 1'-0"

PROJECT NO: T1410
 DRAWN BY: KJLK
 CHECKED BY: CM
 DATE: 3/13/98



Unalaska Library

CROSS REF: DETAIL NUMBER:

B1-175

Response/Remarks:

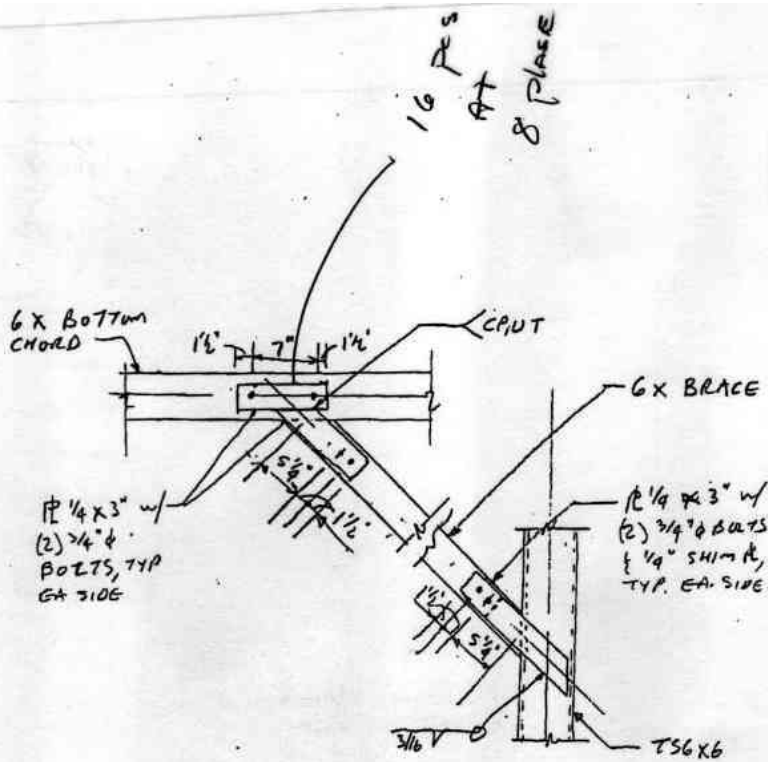
DOVR II - DETAIL A4: 1) CONNECTION IS SIMILAR TO OTHER CONNECTIONS. SEE B1-175, ATTACHED.
 2) 6x4 IS ACCURATE.

DETAIL A5: 1) CONNECTIONS ARE SIMILAR TO OTHER DETAILS. SEE B1-176, ATTACHED.

Dan Smith
 10.6.98

By: *W. Z...*

Date: 11/2/98



AS/S401

PORTAL BRACE DETAIL C HTT2

SCALE: 3/4" = 1'-0"

PROJECT NO: 11410
 DRAWN BY: KJK
 CHECKED BY: CM
 DATE: 3/13/98



Unalaska Library

CROSS REF: DETAIL NUMBER:
 BI-176

Response/Remarks:

DOVR 11- DETAIL A4: 1) CONNECTION IS SIMILAR TO OTHER CONNECTIONS. SEE BI-175, ATTACHED.
 2) 6x4 IS ACCURATE.

DETAIL A5: 1) CONNECTIONS ARE SIMILAR TO OTHER DETAILS. SEE BI-176, ATTACHED.

Dan Smith
 10.6.98

By: *W. Z...*

Date: 11/3/98

Response/Remarks:

Install 800 x C14 double studs at jambs of wall openings as indicated in Section 05400;3.10. Install additional 800 x C14 studs if required by a manufacturer. The runner tracks above and below the openings shall be a minimum of 18 gauge. Match width of 800 x C14 studs. Attach 18 gauge runners to 800 x C14 studs with 3" x 3" x 6" long 18 gauge angles using three #12 screws on each leg of the angle. Stud spacing of 800 x C14 studs above and below the openings shall be as indicated in Section 05400;4.01.B.

DCVR 20

By:

Dan Smith

Date:

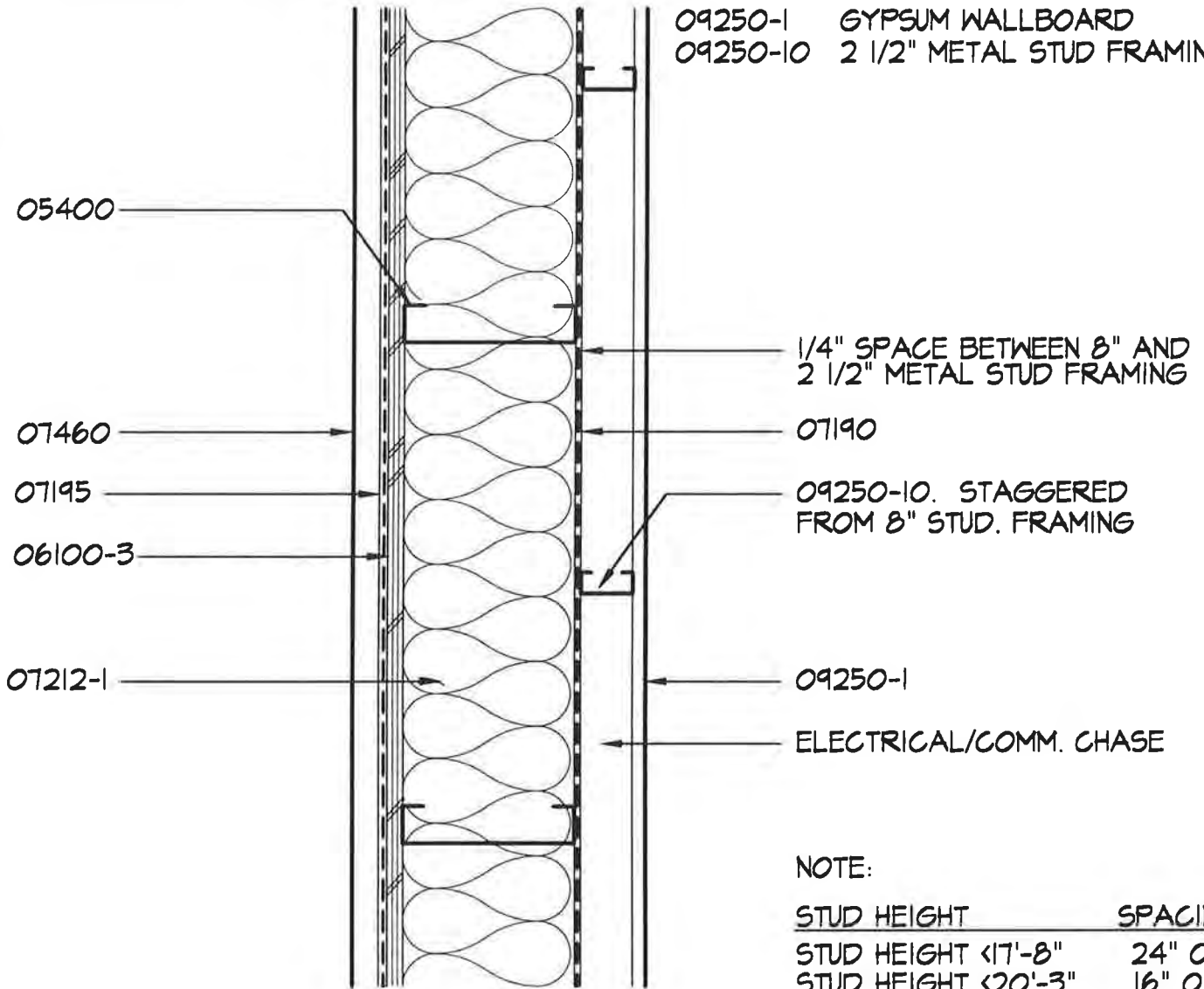
9.22.98

NOTE:

1. SPECIAL FASTENING REQ'T'S FOR 07460 SIDING. SEE SPEC. SECTION 07460 FOR MORE INFO.
2. SEE A-200 FOR 07460 COLOR LOCATIONS

KEYNOTES

- 05400 8" METAL STUD FRAMING
- 06100-3 3/4" PLYWD SHEATHING
- 07190 VAPOR RETARDER
- 07195 AIR RETARDER
- 07212-1 BATT INSUL. TYPE I
- 07460 EXTERIOR SIDING
- 09250-1 GYPSUM WALLBOARD
- 09250-10 2 1/2" METAL STUD FRAMING



NOTE:

STUD HEIGHT	SPACING
STUD HEIGHT <17'-8"	24" O.C.
STUD HEIGHT <20'-3"	16" O.C.
STUD HEIGHT <22'-3"	12" O.C.

WALL TYPE 1

SCALE: 1 1/2" = 1'-0"

PROJECT NO.: 714.10
 DRAWN BY: JB
 CHECKED BY:
 DATE: APRIL 10, 1998



Unalaska Library

CROSS REF: DETAIL NUMBER:

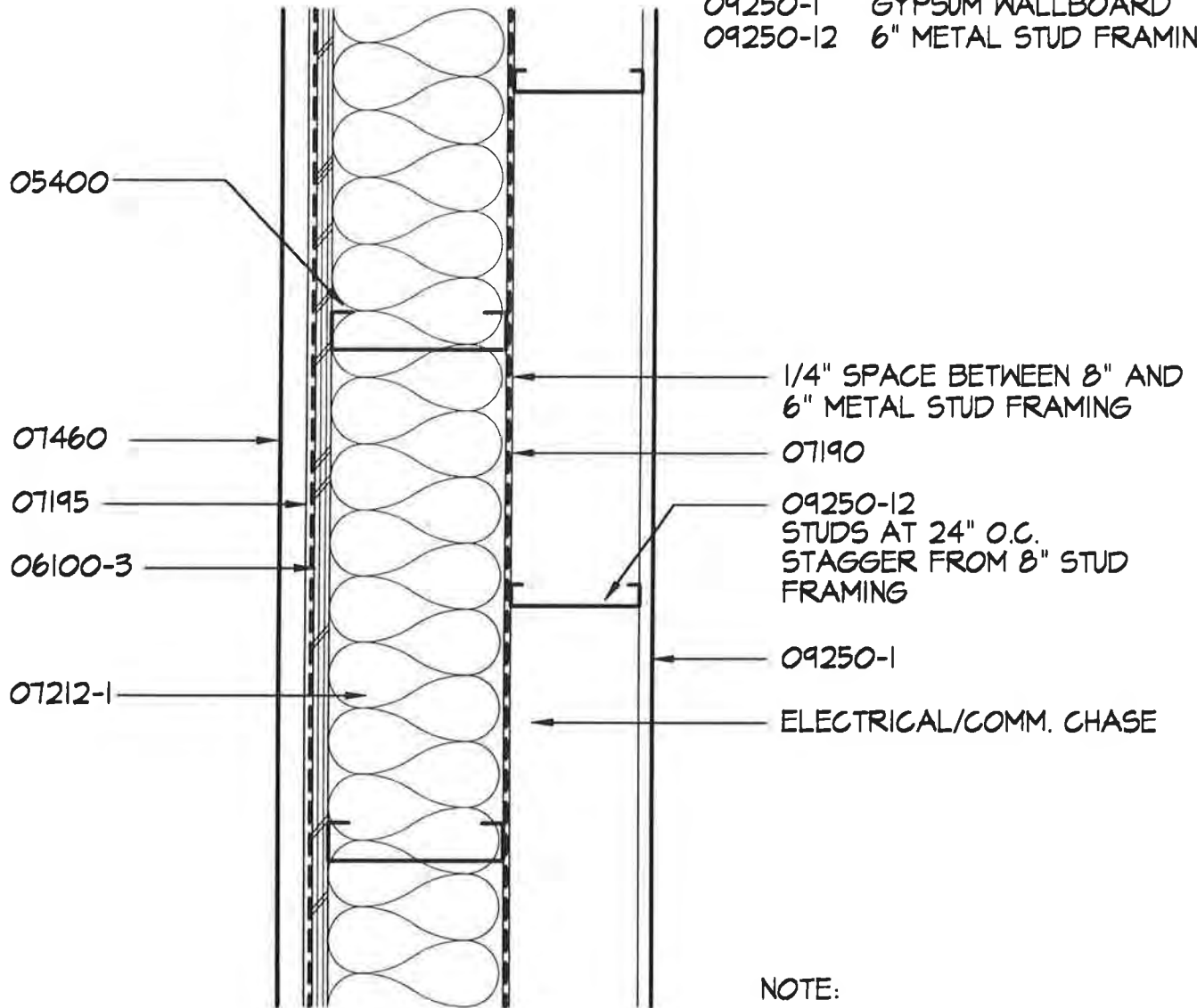
B2-100

NOTES:

1. SPECIAL FASTENING REQ'T'S FOR 07460 SIDING. SEE SPEC. SECTION 07460 FOR MORE INFO.
2. SEE A-200 FOR 07460 COLOR LOCATIONS

KEYNOTES

- 05400 8" METAL STUD FRAMING
- 06100-3 3/4" PLYWD SHEATHING
- 07190 VAPOR RETARDER
- 07195 AIR RETARDER
- 07212-1 BATT INSUL. TYPE I
- 07460 EXTERIOR SIDING
- 09250-1 GYPSUM WALLBOARD
- 09250-12 6" METAL STUD FRAMING



NOTE:

STUD HEIGHT	SPACING
STUD HEIGHT <17'-8"	24" O.C.
STUD HEIGHT <20'-3"	16" O.C.
STUD HEIGHT <22'-3"	12" O.C.

WALL TYPE 2

SCALE: 1 1/2" = 1'-0"

PROJECT NO.: 714.10
 DRAWN BY: JB
 CHECKED BY:
 DATE: APRIL 10, 1998



Unalaska Library

CROSS REF: DETAIL NUMBER:

B2-101

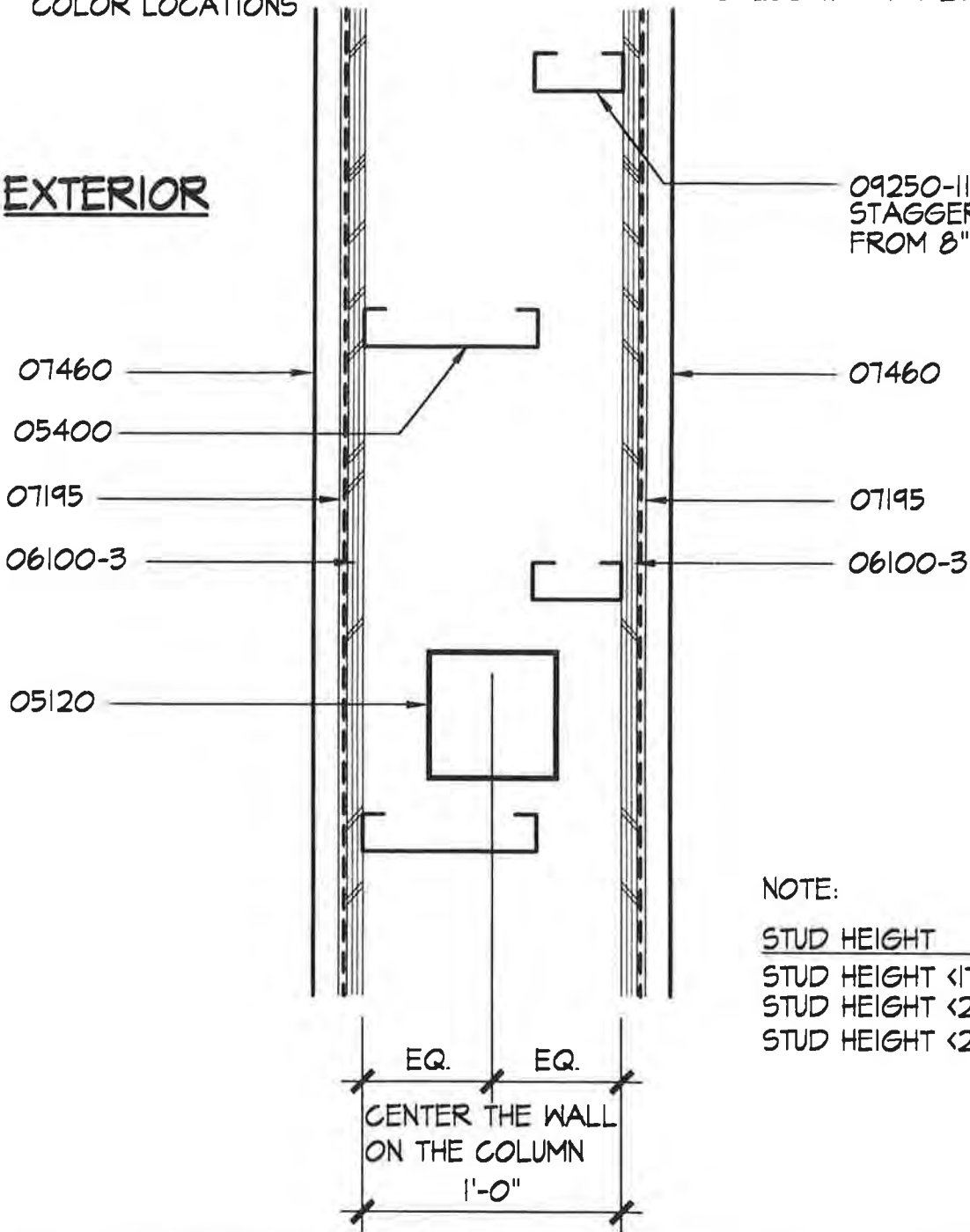
NOTE:

1. SPECIAL FASTENING REQ'T'S FOR 07460 SIDING. SEE SPEC. SECTION 07460 FOR MORE INFO.
2. SEE A-200 FOR 07460 COLOR LOCATIONS

KEYNOTES

- 05120 SEE STRUCT.
- 05400 8" METAL STUD FRAMING
- 06100-3 3/4" PLYWD SHEATHING
- 07195 AIR RETARDER
- 07460 EXTERIOR SIDING
- 09250-II 4" METAL STUD FRAMING

EXTERIOR



NOTE:

STUD HEIGHT	SPACING
STUD HEIGHT <17'-8"	24" O.C.
STUD HEIGHT <20'-3"	16" O.C.
STUD HEIGHT <22'-3"	12" O.C.

WALL TYPE 3

SCALE: 1 1/2" = 1'-0"

PROJECT NO.: 714.10
 DRAWN BY: JB
 CHECKED BY:
 DATE: APRIL 10, 1998



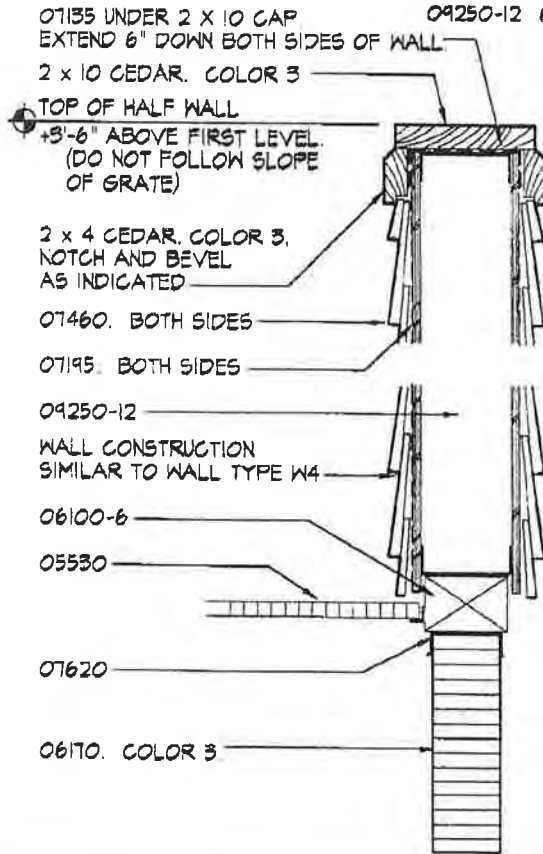
Unalaska Library

CROSS REF: DETAIL NUMBER:

B2-102

KEYNOTES

- 05530 GRATE
- 06100-3 3/4" PLYWOOD
- 06100-6 4 X 6 PRESERVEAIVE TREATED
- 06170 SEE STRUCTURAL DRAWINGS
- 07195 AIR RETARDER
- 07305 SELF-ADHESIVE SHEET MEMBRANE
- 07460 SIDING
- 07620 SHEET METAL FLASHING
- 09250-12 6" METAL STUD FRAMING



ASI-011

HALF WALL SECTION

SCALE: 1 1/2" = 1'-0"

PROJECT NO.: 114.11
 DRAWN BY: JB
 CHECKED BY: -
 DATE: NOV. 24, 1998



Unalaska Library

CROSS REF: DETAIL NUMBER:

AS-028

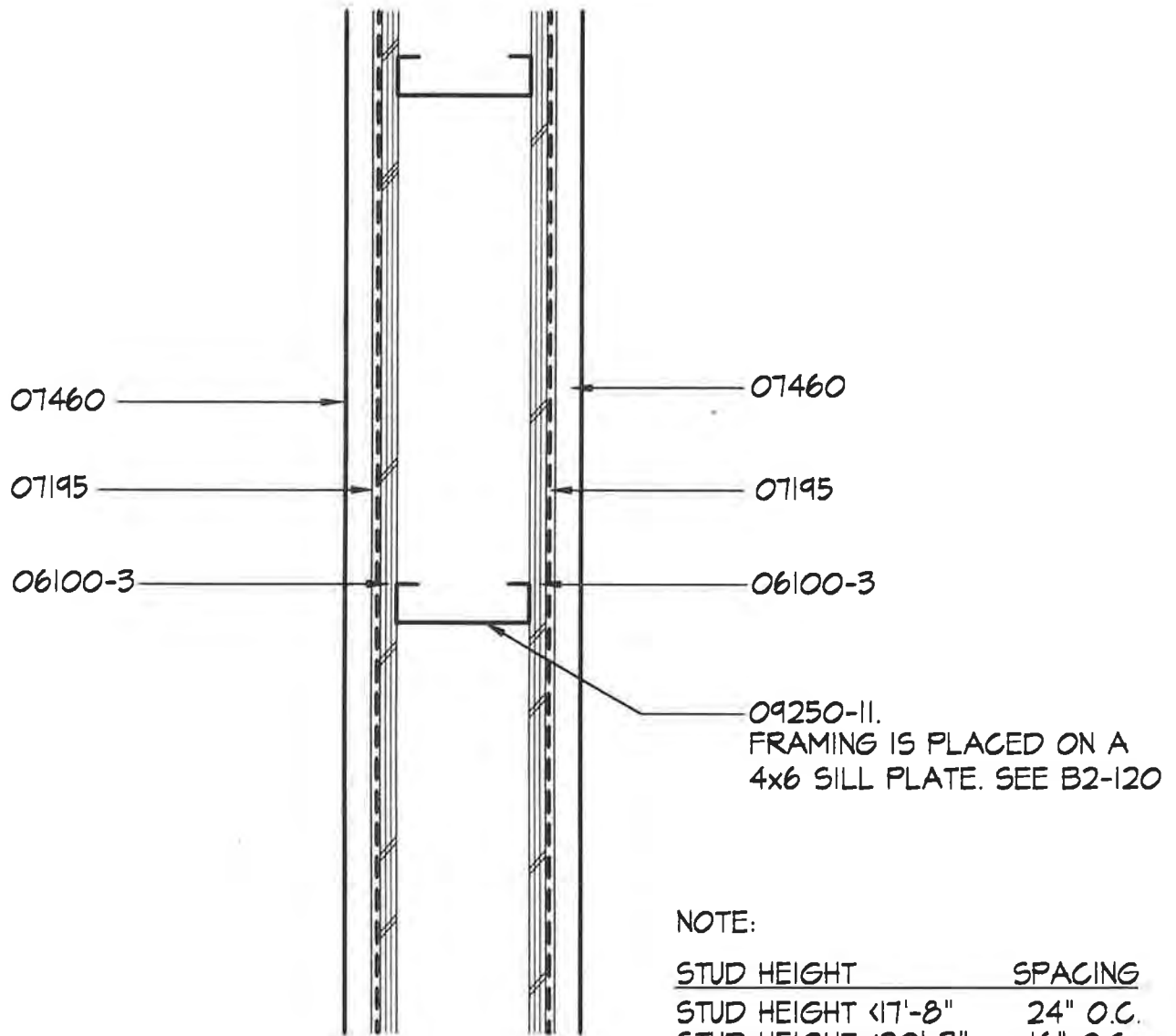
TOTAL P. 06

NOTES:

1. SPECIAL FASTENING REQ'T'S FOR 07460 SIDING. SEE SPEC. SECTION 07460 FOR MORE INFO.
2. SEE A-200 FOR 07460 COLOR LOCATIONS

KEYNOTES

- 06100-3 3/4" PLYWD SHEATHING
- 07195 AIR RETARDER
- 07460 EXTERIOR SIDING
- 09250-12 6" METAL STUD FRAMING



NOTE:

STUD HEIGHT	SPACING
STUD HEIGHT <17'-8"	24" O.C.
STUD HEIGHT <20'-3"	16" O.C.
STUD HEIGHT <22'-3"	12" O.C.

Response/Remarks:

Using 6", 14 gauge, metal stud framing is acceptable for wall types W4 and W4 sim..

DCVR 35

WALL TYPE 4 - ADDITIVE ALTERNATE 1

SCALE: 1/2"=1'-0"

PROJECT NO.: 714.10
 DRAWN BY: JB
 CHECKED BY:
 DATE: APRIL 10, 1998



Unalaska Library

CROSS REF: DETAIL NUMBER:

B2-103

KEYNOTES

- 05050 5/8" ϕ ANCHOR BOLT
- 02200-1 6" SAND BED OR GRANULAR
- 02200-2 SHOT ROCK
- 03300 CAST-IN-PLACE CONCRETE
- 07115-1 SHEET MEMBRANE WP
- 07115-2 PROTECTION BOARD
- 07214-1 RIGID INSULATION TYPE I
- 07214-3 PROTECTION BOARD

05050 AT 3'-0" O.C.
TYP. FOUNDATION WALL

W1 OR W2

SEE PLANS FOR TYPE

MAIN LEVEL
+0'-0"

B2
111

FIN. GRADE

02200-2

07214-1
CONT. TO TOP OF FTG

07214-3
CONT. TO TOP OF FTG

TOP OF FTG
SEE STRUCT.

CONT. VAPOR RETARDER
UNDER METAL STUDS.
SEAL VAPOR RETARDER
TO CONC SLAB.

BASE. SEE A-600

FLOORING. SEE A-600

07115-2

07115-1

02200-1

03300. SEE STRUCTURE
FOR REINFORCEMENT

See DEVR 16
S 101

TYPICAL EXTERIOR WALL AT FOUNDATION

SCALE: 1/2" = 1'-0"

PROJECT NO.: 714.10
DRAWN BY: JB
CHECKED BY:
DATE: APRIL 10, 1998



Unalaska Library

CROSS REF: DETAIL NUMBER:

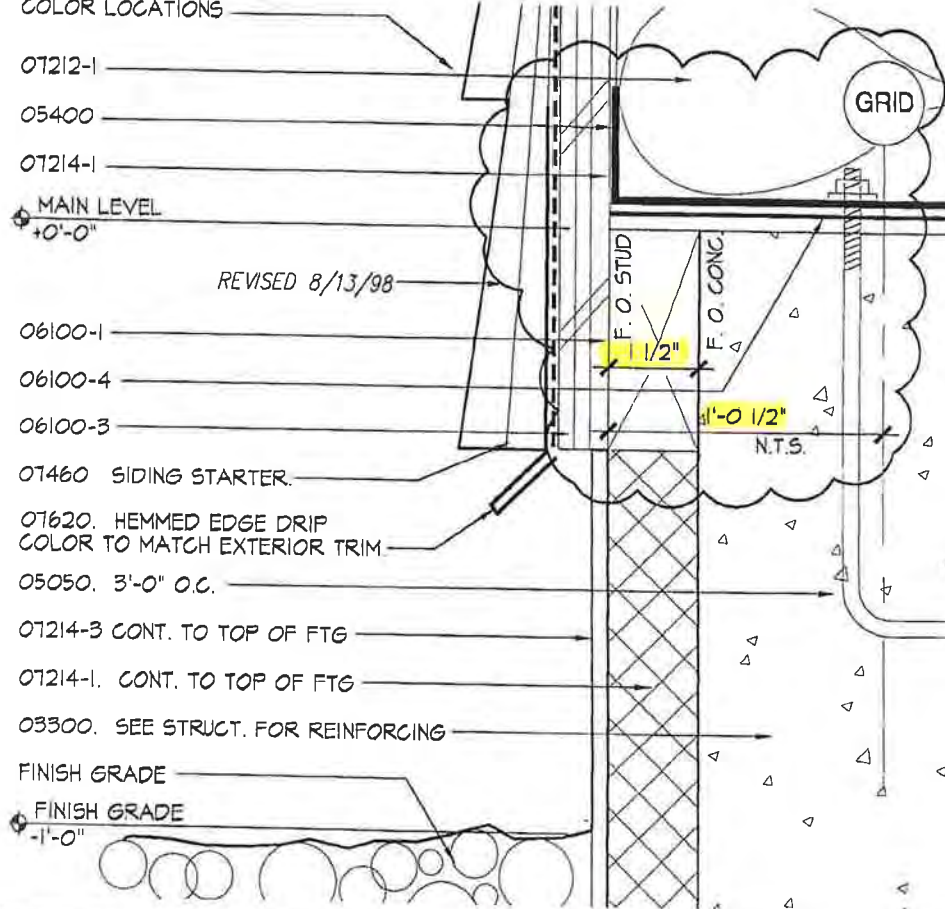
B2-110

KEYNOTES

- 03300 CAST-IN-PLACE CONCRETE
- 05050 5/8" DIA. ANCHOR BOLT
- 05400 8" METAL STUDS
- 06100-1 2x4 CEDAR BLOCKING
- 06100-3 3/4" PLYWOOD

- 06100-4 SILL SEALER
- 07195 AIR RETARDER
- 07214-1 RIGID INSULATION TYPE I
- 07214-3 PROTECTION BOARD
- 07212-1 BATT INSULATION TYPE I
- 07460 EXTERIOR SIDING
- 07620 FLASHING

07460. SEE A-200 FOR COLOR LOCATIONS



TYPICAL EXTERIOR WALL FLASHING

SCALE: 6"=1'-0"

DCVR 15

PROJECT NO.: 714.10
 DRAWN BY: JB
 CHECKED BY:
 DATE: REV. 8/13/98



Unalaska Library

CROSS REF: DETAIL NUMBER:

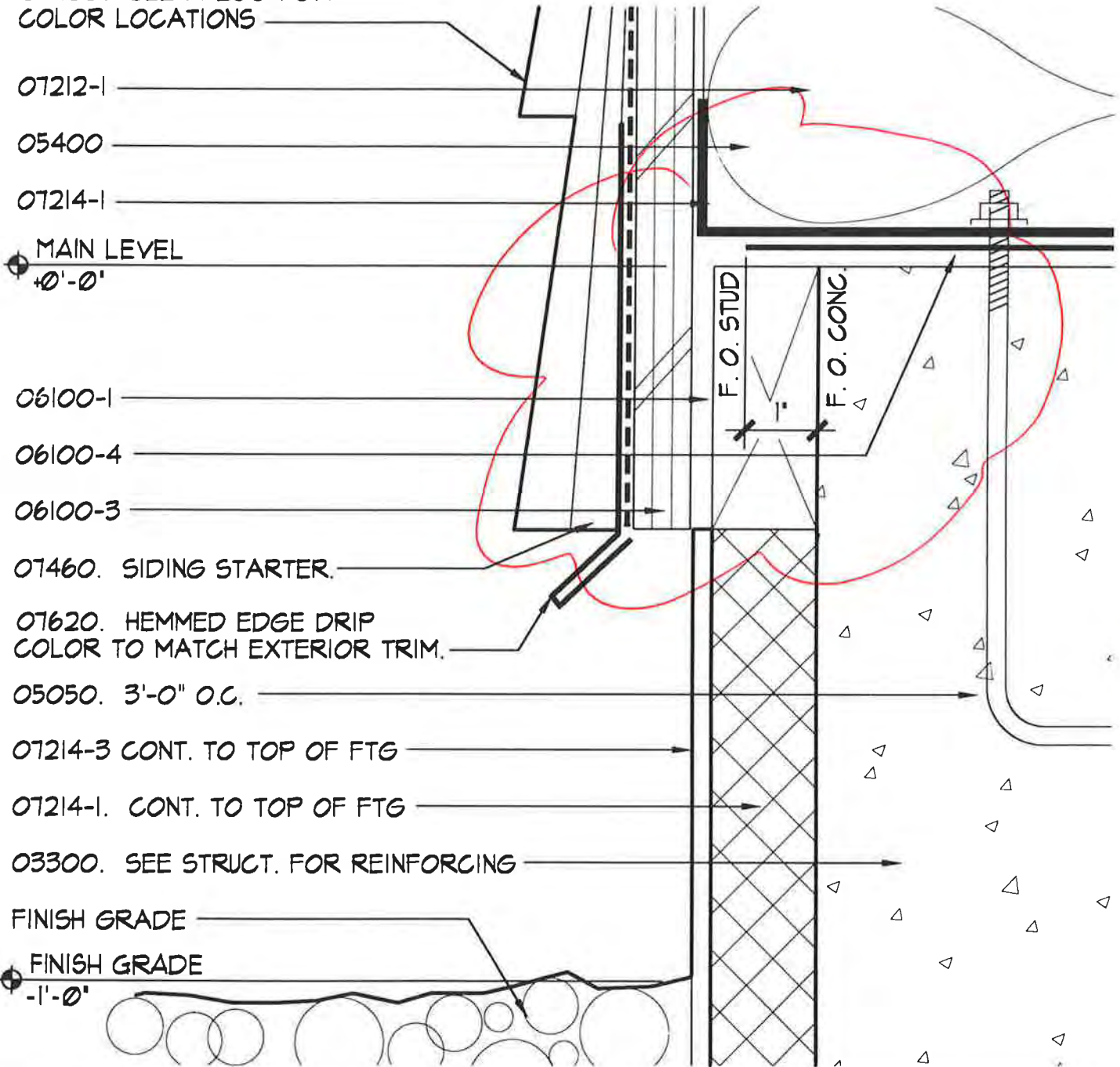
B2-111

KEYNOTES

- 03300 CAST-IN-PLACE CONCRETE
- 05050 5/8" DIA. ANCHOR BOLT
- 05400 8" METAL STUDS
- 06100-1 2x4 CEDAR BLOCKING
- 06100-3 3/4" PLYWOOD

- 06100-4 SILL SEALER
- 07195 AIR RETARDER
- 07214-1 RIGID INSULATION TYPE I
- 07214-3 PROTECTION BOARD
- 07212-1 BATT INSULATION TYPE I
- 07460 EXTERIOR SIDING
- 07620 FLASHING

07460. SEE A-200 FOR COLOR LOCATIONS



07212-1

05400

07214-1

MAIN LEVEL
+0'-0"

06100-1

06100-4

06100-3

07460. SIDING STARTER.

07620. HEMMED EDGE DRIP
COLOR TO MATCH EXTERIOR TRIM.

05050. 3'-0" O.C.

07214-3 CONT. TO TOP OF FTG

07214-1. CONT. TO TOP OF FTG

03300. SEE STRUCT. FOR REINFORCING

FINISH GRADE

FINISH GRADE
-1'-0"

TYPICAL EXTERIOR WALL FLASHING

SCALE: 6"=1'-0"

PROJECT NO.: 714.10
DRAWN BY: JB
CHECKED BY:
DATE: APRIL 10, 1998

KEYNOTES

05400	8" METAL STUD FRAMING
06452-5	2x4 CEDAR TRIM
06452-6	2x6 CEDAR TRIM
07195	AIR RETARDER
07212-1	BATT INSULATION TYPE I

NOTE:
 1. SEE A-200 FOR COLOR LOCATIONS.
 2. SEE A-600 FOR COLOR SCHEDULE.

07195. CONTINUOUS
 AROUND CORNER

06452-4
 COLOR 3

1/2" DEEP RABBET FOR
 EXTERIOR SIDING.

PROVIDE AN 1/8" SPACE
 FOR EXPANSION BTWN
 SIDING AND TRIM.
 TYPICAL FOR 2x TRIM
 RABBET/SIDING
 CONDITIONS

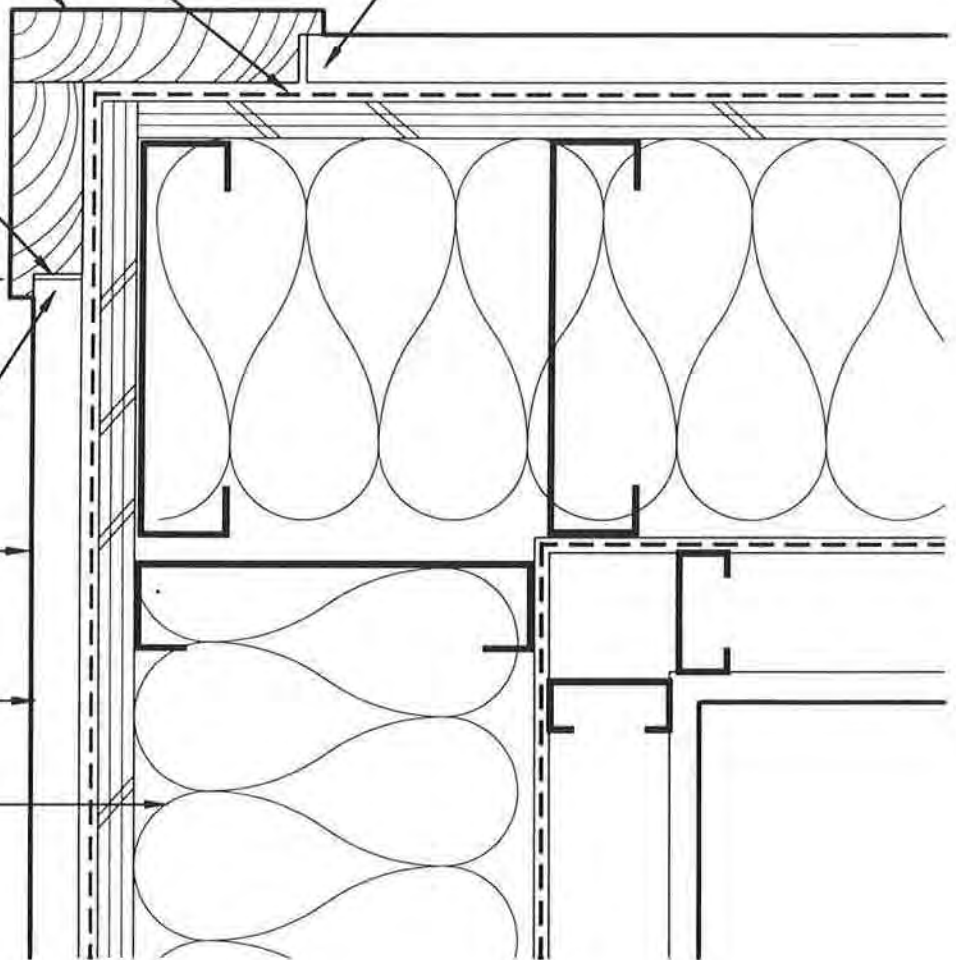
06452-5
 COLOR 3

1/2" DEEP RABBET
 EXTERIOR SIDING.

SEE A-200 FOR
 COLOR LOCATIONS

SEE PLANS FOR
 WALL TYPES

07212-1



TYPICAL WALL AT OUTSIDE CORNER

SCALE: 3"=1'-0"

PROJECT NO.: 714.10
 DRAWN BY: JB
 CHECKED BY:
 DATE: APRIL 10, 1998



Unalaska Library

CROSS REF: DETAIL NUMBER:

B2-112

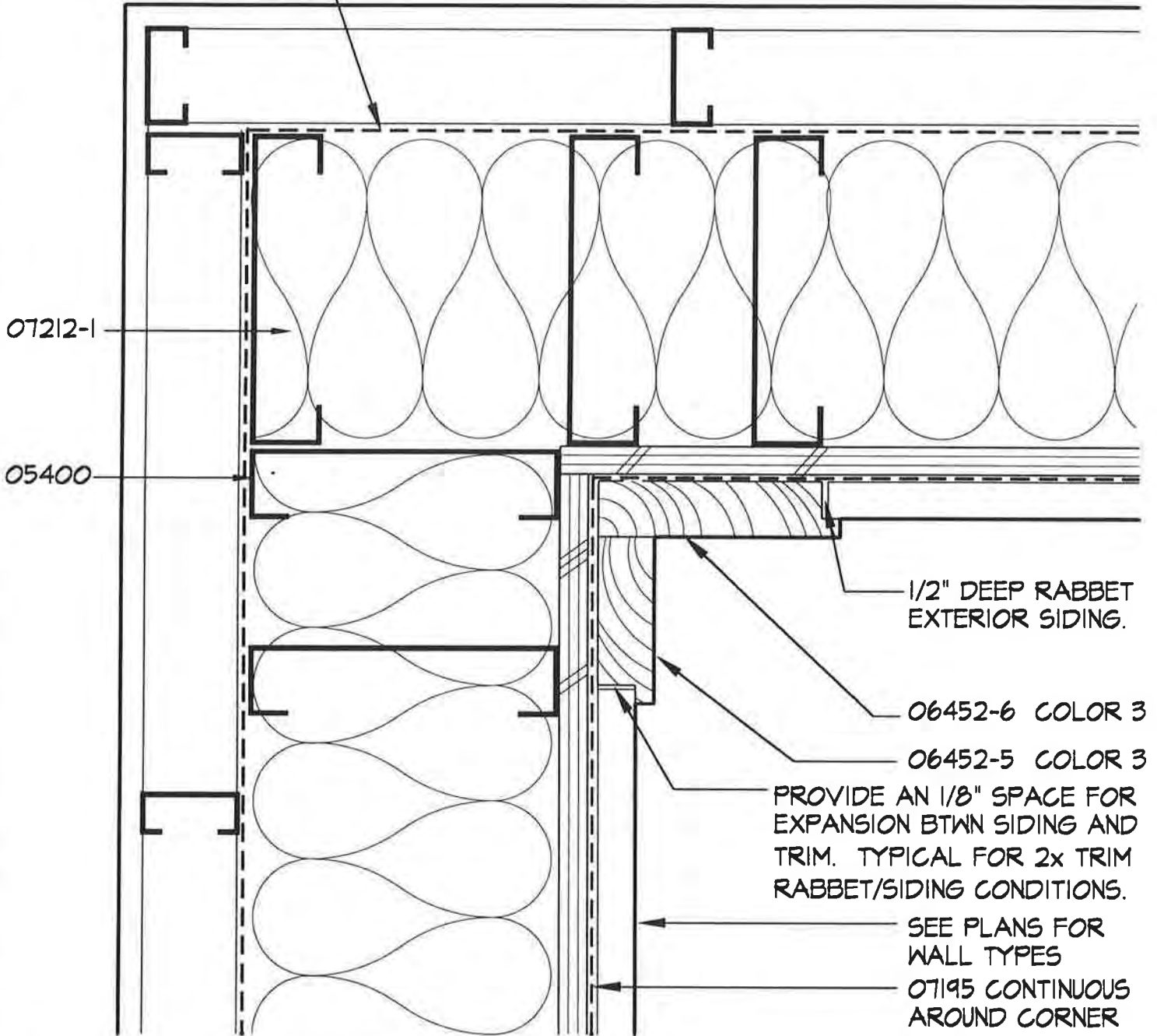
NOTE:

1. SEE A-200 FOR COLOR LOCATIONS.
2. SEE A-600 FOR COLOR SCHEDULE.

07190. CONTINUOUS
AROUND CORNER

KEYNOTES

- | | |
|---------|------------------------|
| 05400 | 8" METAL STUD FRAMING |
| 06452-5 | 2x4 CEDAR TRIM |
| 06452-6 | 2x6 CEDAR TRIM |
| 07190 | VAPOR RETARDER |
| 07195 | AIR RETARDER |
| 07212-1 | BATT INSULATION TYPE I |



TYPICAL WALL AT INSIDE CORNER

SCALE: 3"=1'-0"

PROJECT NO.: 714.10
 DRAWN BY: JB
 CHECKED BY:
 DATE: APR. 10, 1998



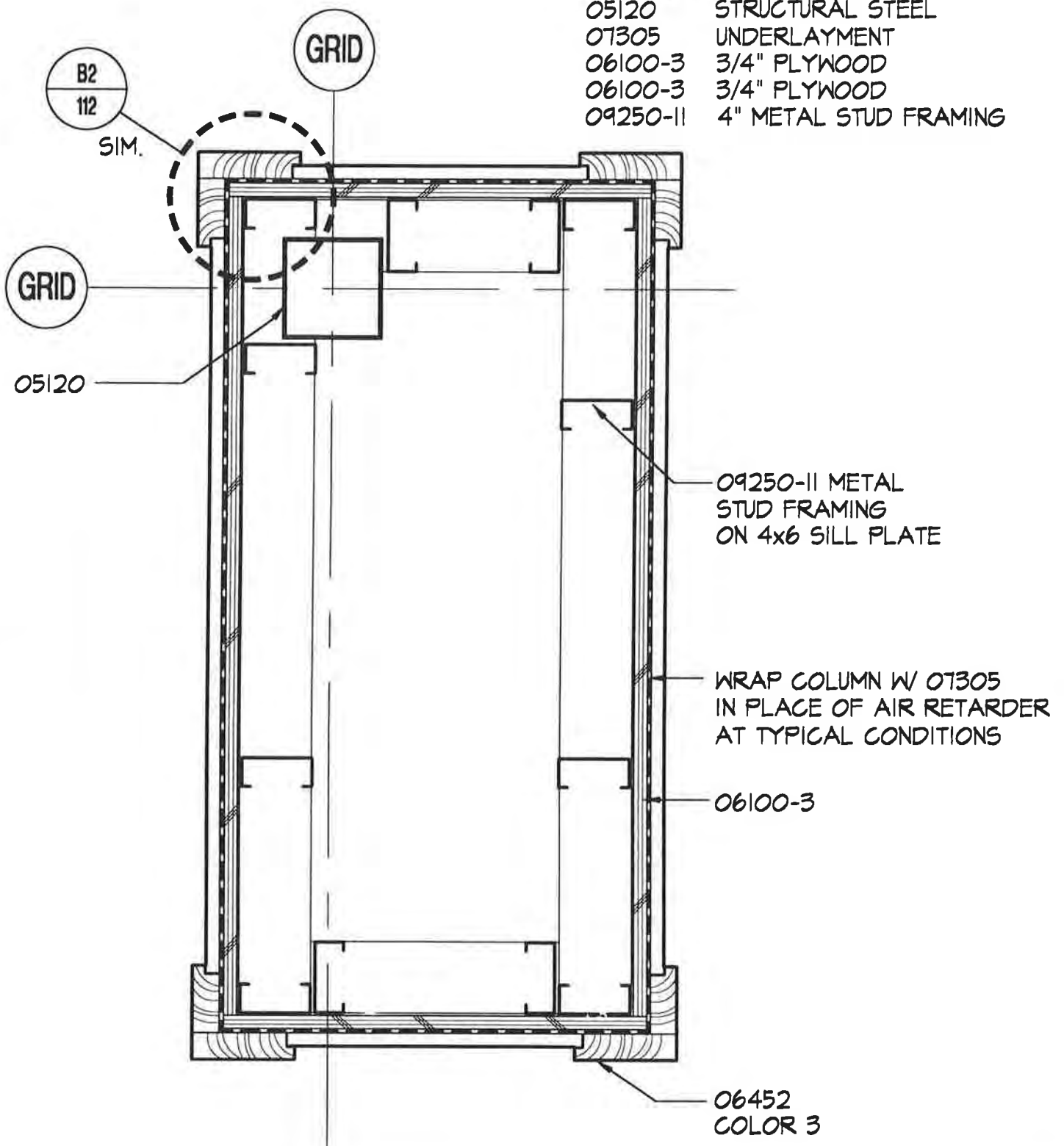
Unalaska Library

CROSS REF: DETAIL NUMBER:

B2-113

KEYNOTES

- 05120 STRUCTURAL STEEL
- 07305 UNDERLAYMENT
- 06100-3 3/4" PLYWOOD
- 06100-3 3/4" PLYWOOD
- 09250-11 4" METAL STUD FRAMING



COLUMN PLAN

SCALE: 1 1/2" = 1'-0"

PROJECT NO.: 714.10
DRAWN BY: JB
CHECKED BY:
DATE: APRIL 10, 1998



Unalaska Library

CROSS REF: DETAIL NUMBER:

B2-114

KEYNOTES

- 05560 1/4" BENT ALUMINUM CHANNEL
- 07305 UNDERLAYMENT
- 06452 2x CEDAR
- 07460 EXTERIOR SIDING

GRID

06452. COLOR 3.

05560 GUTTER

07460. COLOR 2.

SEE B3-130 FOR MORE GUTTER INFO.

06452. COLOR 3.



COLUMN IS OFFSET FROM SOFFIT IN BOTH DIRECTIONS

B2
114

WRAP COLUMN W/ 07305 IN PLACE OF AIR RETARDER AT TYPICAL CONDITIONS

07460. COLOR 1.

COLUMN ELEVATION

SCALE: 3/4"=1'-0"

PROJECT NO.: 714.10
DRAWN BY: JB
CHECKED BY:
DATE: APRIL 10, 1998



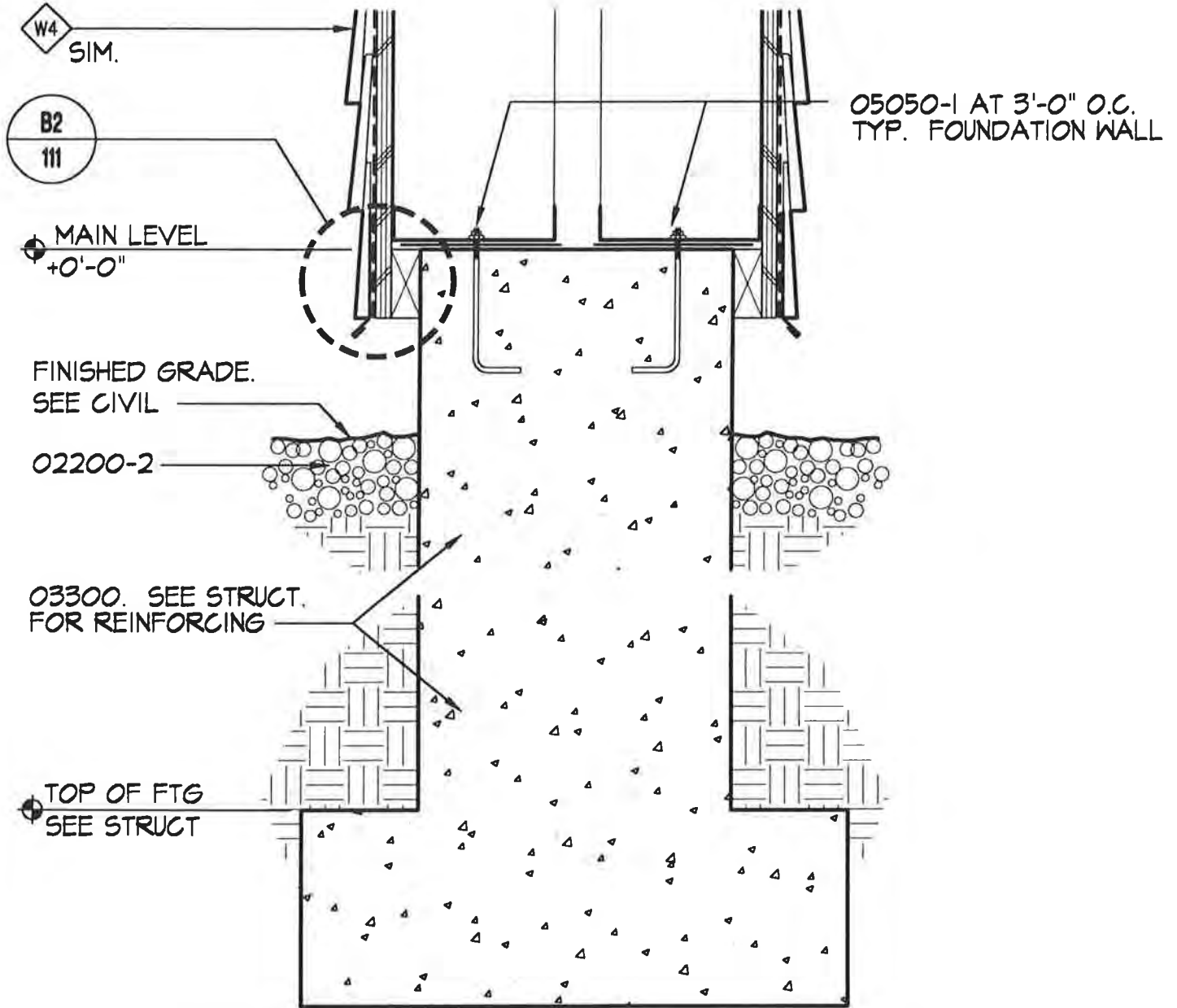
Unalaska Library

CROSS REF: DETAIL NUMBER:

B2-115

KEYNOTES

- 02200-2 SHOT ROCK
- 03300 CAST-IN-PLACE CONCRETE
- 05050-1 5/8" DIA. ANCHOR BOLT
- 06100-4 SILL SEALER



EXTERIOR WALL AT ADULT READING 2 RM 120

SCALE: 1 1/2" = 1'-0"

PROJECT NO.: 714.10
 DRAWN BY: JB
 CHECKED BY:
 DATE: APRIL 10, 1998



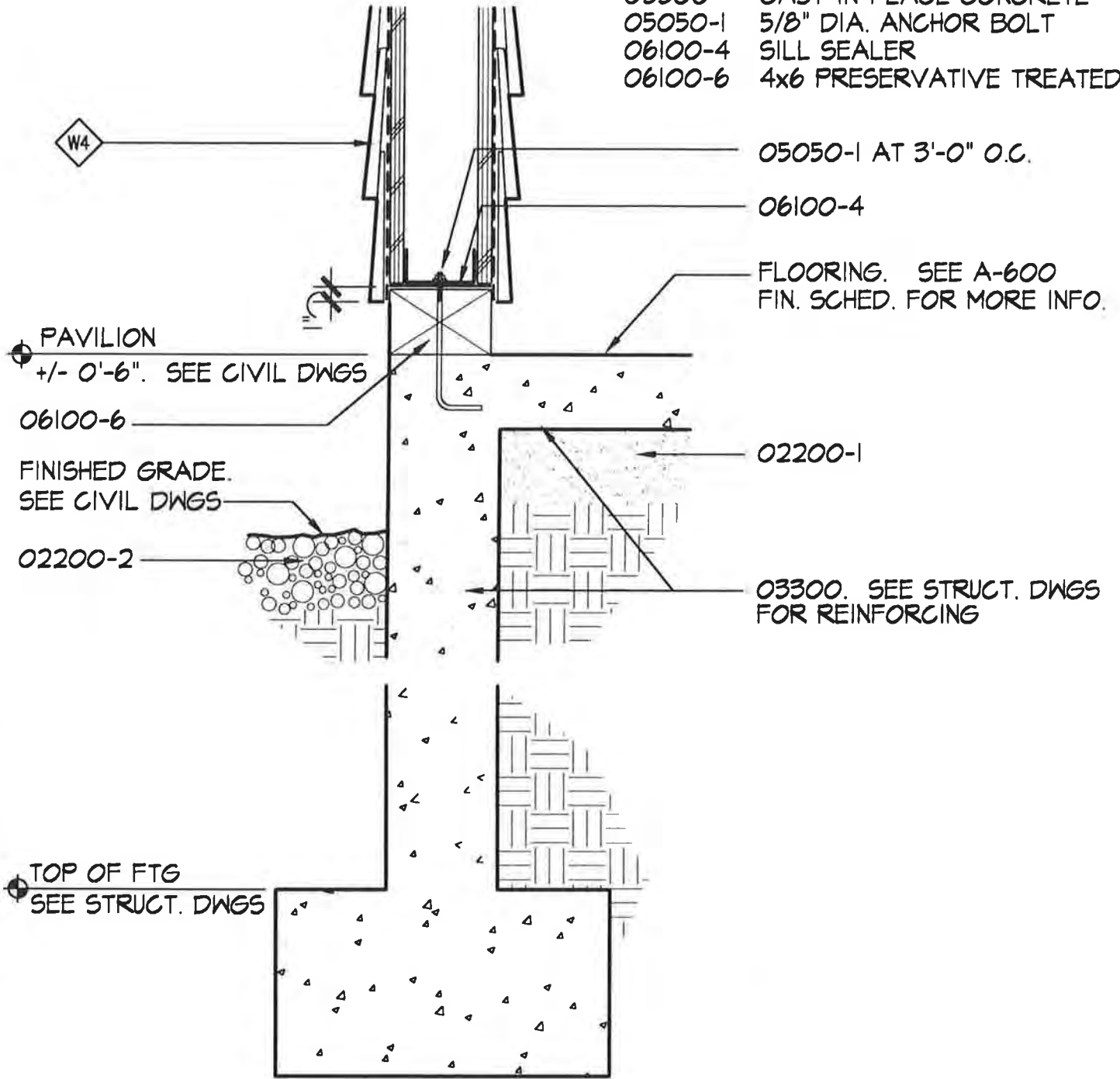
Unalaska Library

CROSS REF: DETAIL NUMBER:

B2-116

KEYNOTES

- 02200-1 6" SAND BED
- 02200-2 SHOT ROCK
- 03300 CAST-IN-PLACE CONCRETE
- 05050-1 5/8" DIA. ANCHOR BOLT
- 06100-4 SILL SEALER
- 06100-6 4x6 PRESERVATIVE TREATED



PAVILION WALL SECTION - ADD. ALTERNATE 1

SCALE: 1 1/2" = 1'-0"

PROJECT NO.: 714.10
DRAWN BY: JB
CHECKED BY:
DATE: APRIL 10, 1998

LIVINGSTON
STONE
ARCHITECTURE
ENGINEERING
PLANNING
INTERIOR DESIGN

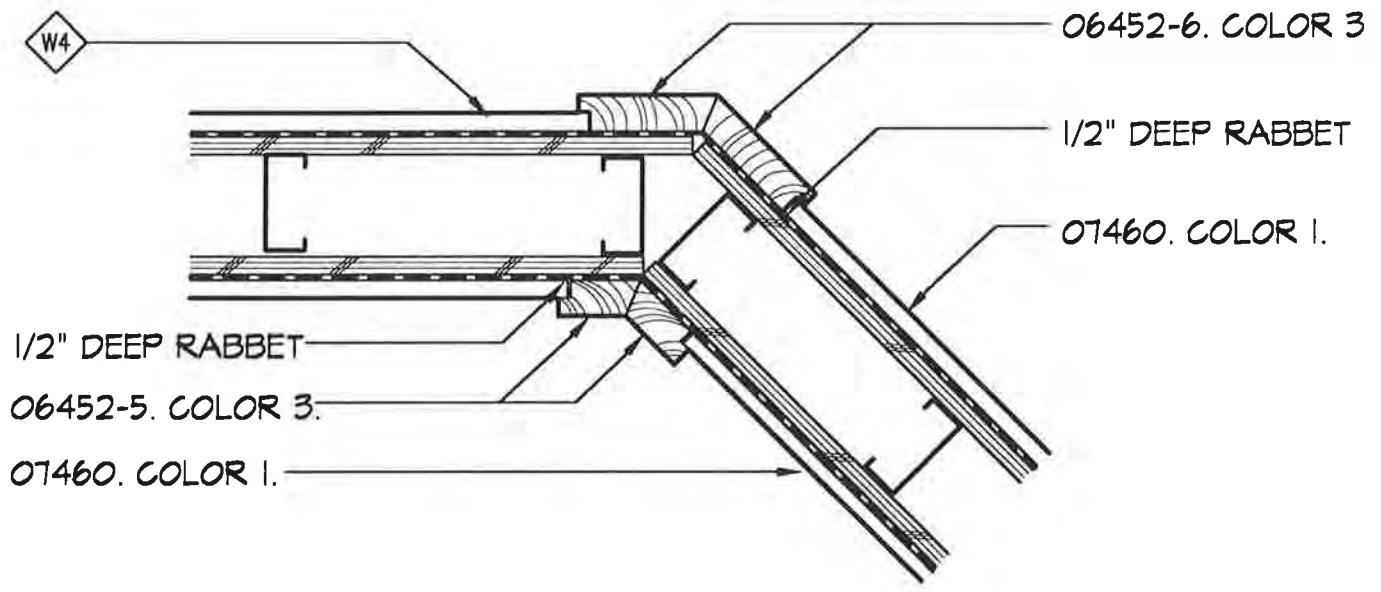
Unalaska Library

CROSS REF: DETAIL NUMBER:

B2-120

KEYNOTES

- 06452-5 2x4 CEDAR
- 06452-6 2x6 CEDAR
- 07460 EXTERIOR SIDING



PAVILION CORNER PLAN - ADDITIVE ALTERNATE 1

SCALE: 1/2" = 1'-0"

PROJECT NO.: 714.10
DRAWN BY: JB
CHECKED BY:
DATE: APRIL 10, 1998



Unalaska Library

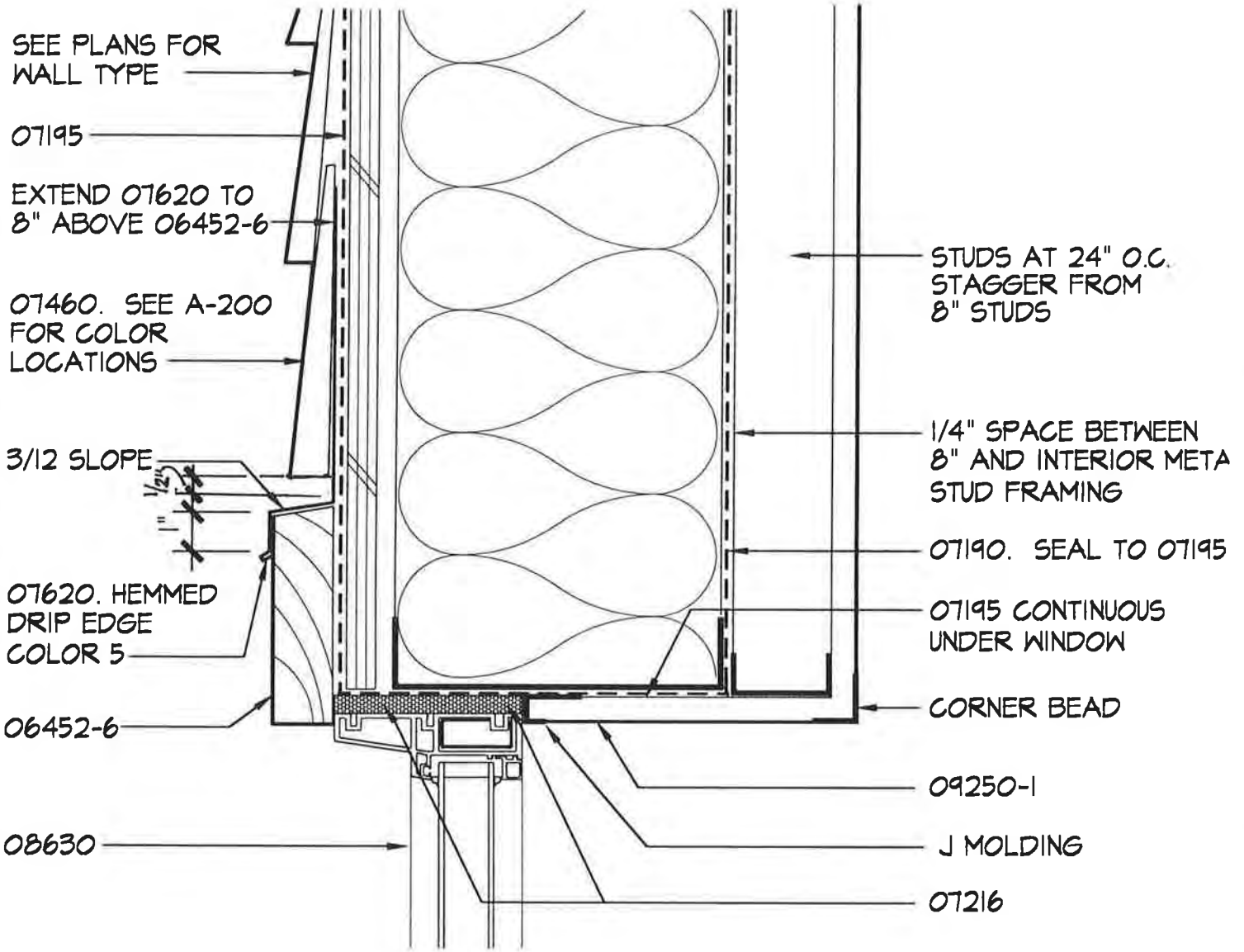
CROSS REF: DETAIL NUMBER:

B2-121

NOTE:
 1. SPECIAL FASTENING REQT'S FOR 07460 SIDING. SEE SPEC. SECTION 07460 FOR MORE INFO.
 2. SEE A-600 FOR COLOR SCHEDULE

KEYNOTES

- 06452-6 2x6 CEDAR
- 07190 VAPOR RETARDER
- 07195 AIR RETARDER
- 07216 FOAM IN PLACE INSULATION
- 07460 EXTERIOR SIDING
- 07620 FLASHING
- 08630 WINDOW
- 09250-1 GNB



TYPICAL EXTERIOR WINDOW HEAD

SCALE: 3' = 1'-0"

PROJECT NO.: 714.10
 DRAWN BY: JB
 CHECKED BY:
 DATE: APRIL 10, 1998



Unalaska Library

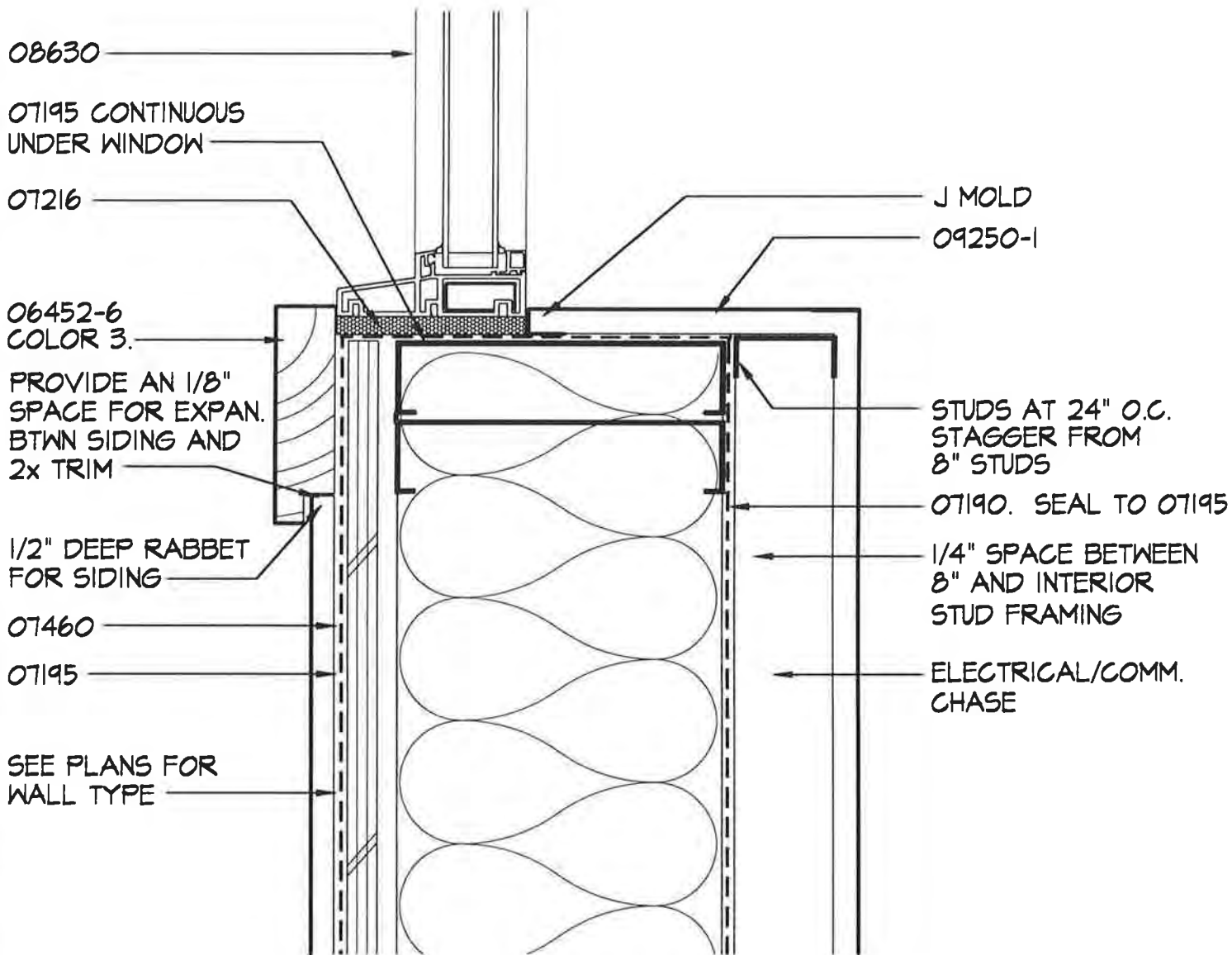
CROSS REF: DETAIL NUMBER:

B2-200

KEYNOTES

- 06452-6 2x6 CEDAR
- 07190 VAPOR RETARDER
- 07195 AIR RETARDER
- 07216 FOAM IN PLACE INSULATION
- 07460 EXTERIOR SIDING
- 08630 WINDOW
- 09250-1 GWB

NOTE:
 1. SEE A-200 FOR COLOR LOCATIONS.
 2. SEE A-600 FOR COLOR SCHEDULE.



TYPICAL EXTERIOR WINDOW JAMB

SCALE: 3' = 1'-0"

PROJECT NO.: 714.10
 DRAWN BY: JB
 CHECKED BY:
 DATE: APRIL 10, 1998



Unalaska Library

CROSS REF: DETAIL NUMBER:

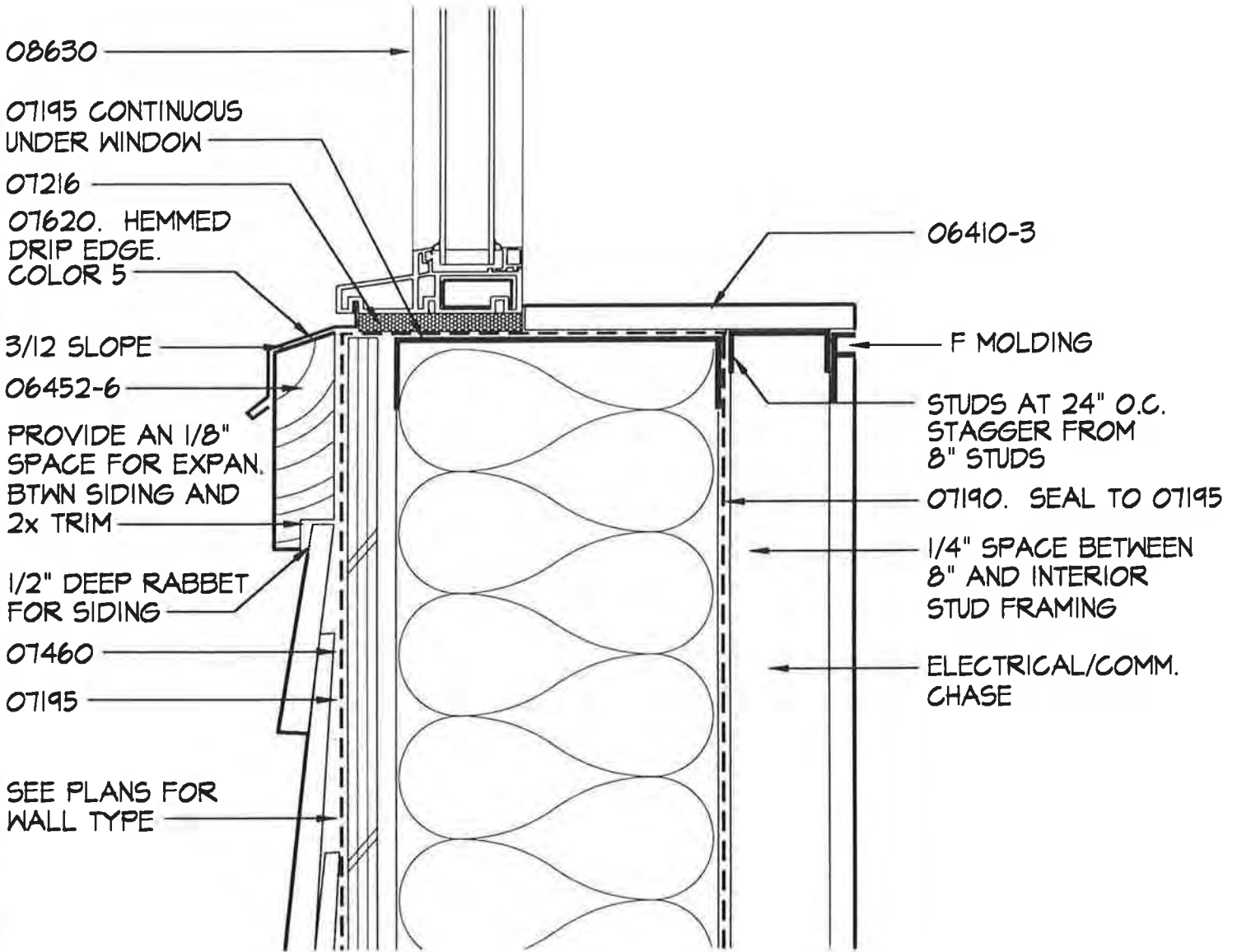
B2-201

NOTE:

1. SEE A-200 FOR COLOR LOCATIONS.
2. SEE A-600 FOR COLOR SCHEDULE.

KEYNOTES

- 06410-3 CUSTOM CASEWORK TYPE 3
- 06452-6 2x6 CEDAR
- 07190 VAPOR RETARDER
- 07195 AIR RETARDER
- 07216 FOAM IN PLACE INSULATION
- 07460 EXTERIOR SIDING
- 07920-1 SEALANT TYPE I
- 08630 WINDOW



TYPICAL EXTERIOR WINDOW SILL

SCALE: 3' = 1'-0"

PROJECT NO.: 714.10
 DRAWN BY: JB
 CHECKED BY:
 DATE: APRIL 10, 1998



Unalaska Library

CROSS REF: DETAIL NUMBER:

B2-202

NOTE:

- 1. SEE A-200 FOR COLOR LOCATIONS.
- 2. SEE A-600 FOR COLOR SCHEDULE.
- 3. SPECIAL FASTENING REQ'T'S FOR 07460 SIDING. SEE SPEC. SECTION 07460 FOR MORE INFO.
- 4. SEE A-600 WINDOW SCHEDULE FOR MORE WINDOW INFO

KEYNOTES

- 06452-6 2x6 CEDAR
- 07460 EXTERIOR SIDING
- 07620 FLASHING
- 08630 WINDOW

07620

ALIGN SIDING PATTERN W/ TOP OF WINDOW. ADJUST SIDING SPACING ACCORDINGLY.

06452-6
COLOR 3

08630

06452-6
COLOR 3

1/2" RABBET

3/12 SLOPE

06452-6

B2
200

06452-6
COLOR 3

B2
201

B2
202

TYPICAL EXTERIOR WINDOW ELEVATION

SCALE: 3/4"=1'-0"

PROJECT NO.: 714.10
 DRAWN BY: JB
 CHECKED BY:
 DATE: APRIL 10, 1998



Unalaska Library

CROSS REF: DETAIL NUMBER:

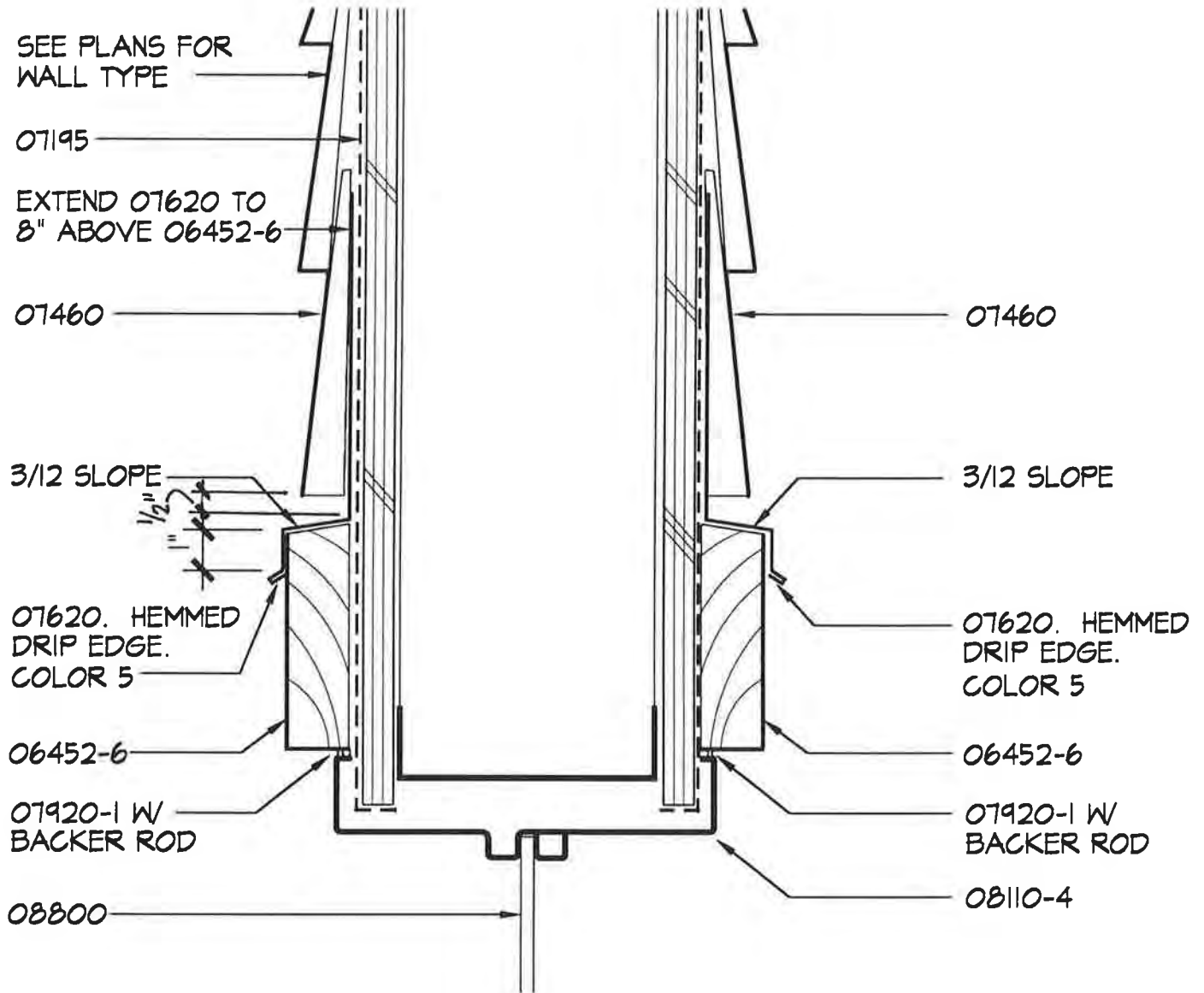
B2-203

NOTE:

1. SEE A-200 FOR COLOR LOCATIONS.
2. SEE A-600 FOR COLOR SCHEDULE.
3. SPECIAL FASTENING REQ'T'S FOR 07460 SIDING. SEE SPEC. SECTION 07460 FOR MORE INFO.
4. SEE A-600 FOR MORE WINDOW INFO

KEYNOTES

- | | |
|---------|-------------------------------|
| 06452-6 | 2x6 CEDAR |
| 07195 | AIR RETARDER |
| 07460 | EXTERIOR SIDING |
| 07620 | FLASHING |
| 07920-1 | SEALANT TYPE I |
| 08110-4 | EXTERIOR METAL WINDOW GLAZING |
| 08800 | |



EXTERIOR WINDOW HEAD - ADDITIVE ALTERNATE 1

SCALE: 3' = 1" - Ø'

PROJECT NO.: 714.10
 DRAWN BY: JB
 CHECKED BY:
 DATE: APRIL 10, 1998



Unalaska Library

CROSS REF: DETAIL NUMBER:

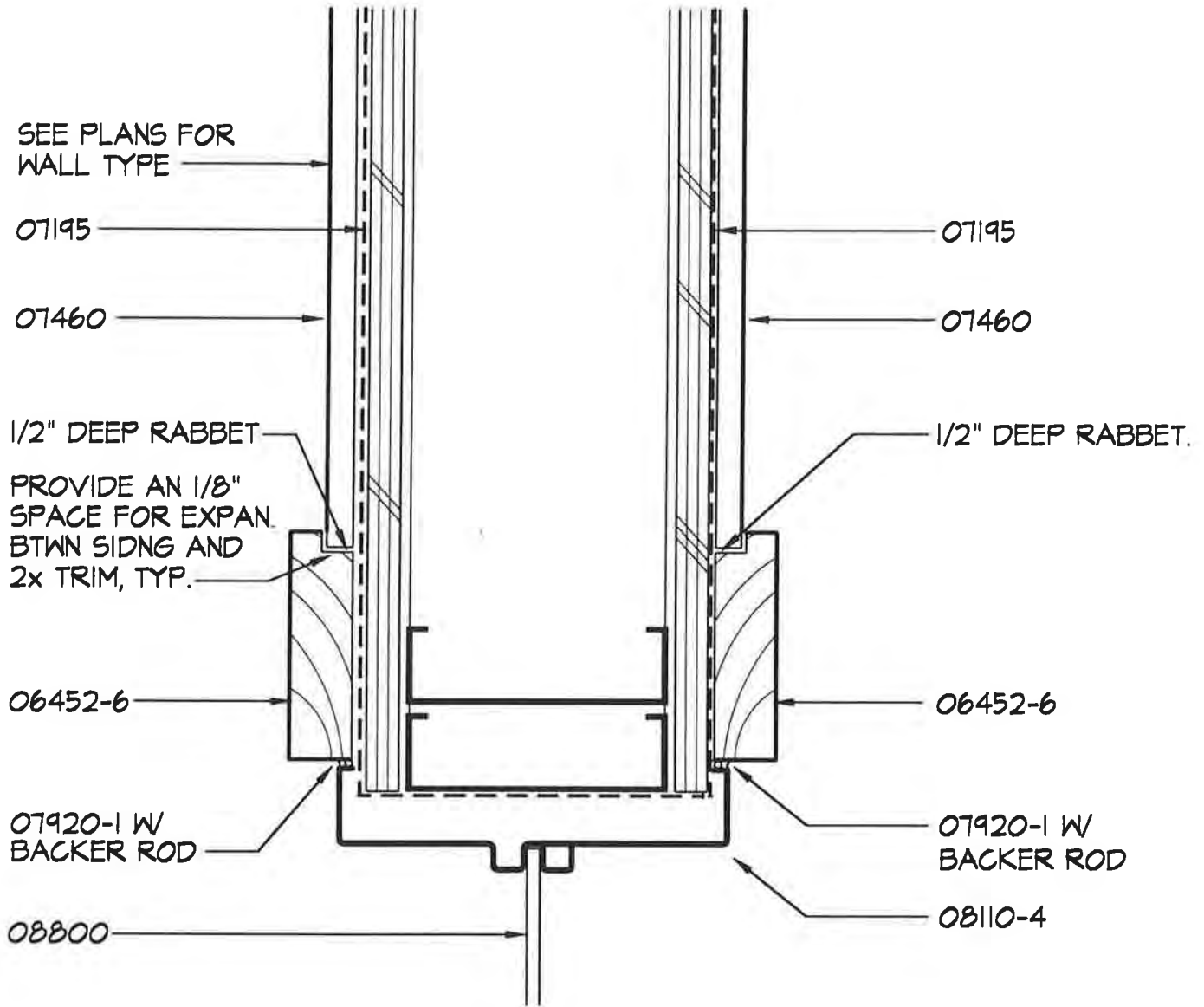
B2-204

NOTE:

1. SEE A-200 FOR COLOR LOCATIONS.
2. SEE A-600 FOR COLOR SCHEDULE.
3. SPECIAL FASTENING REQ'T'S FOR 07460 SIDING. SEE SPEC. SECTION 07460 FOR MORE INFO.
4. SEE A-600 FOR MORE WINDOW INFO

KEYNOTES

- | | |
|---------|-------------------------------|
| 06452-6 | 2x6 CEDAR |
| 07195 | AIR RETARDER |
| 07460 | EXTERIOR SIDING |
| 07920-1 | SEALANT TYPE I |
| 08110-4 | EXTERIOR METAL WINDOW GLAZING |
| 08800 | GLAZING |



EXTERIOR WINDOW JAMB - ADDITIVE ALTERNATE 1

SCALE: 3"=1'-0"

PROJECT NO.: 714.10
 DRAWN BY: JB
 CHECKED BY:
 DATE: APRIL 10, 1998



Unalaska Library

CROSS REF: DETAIL NUMBER:

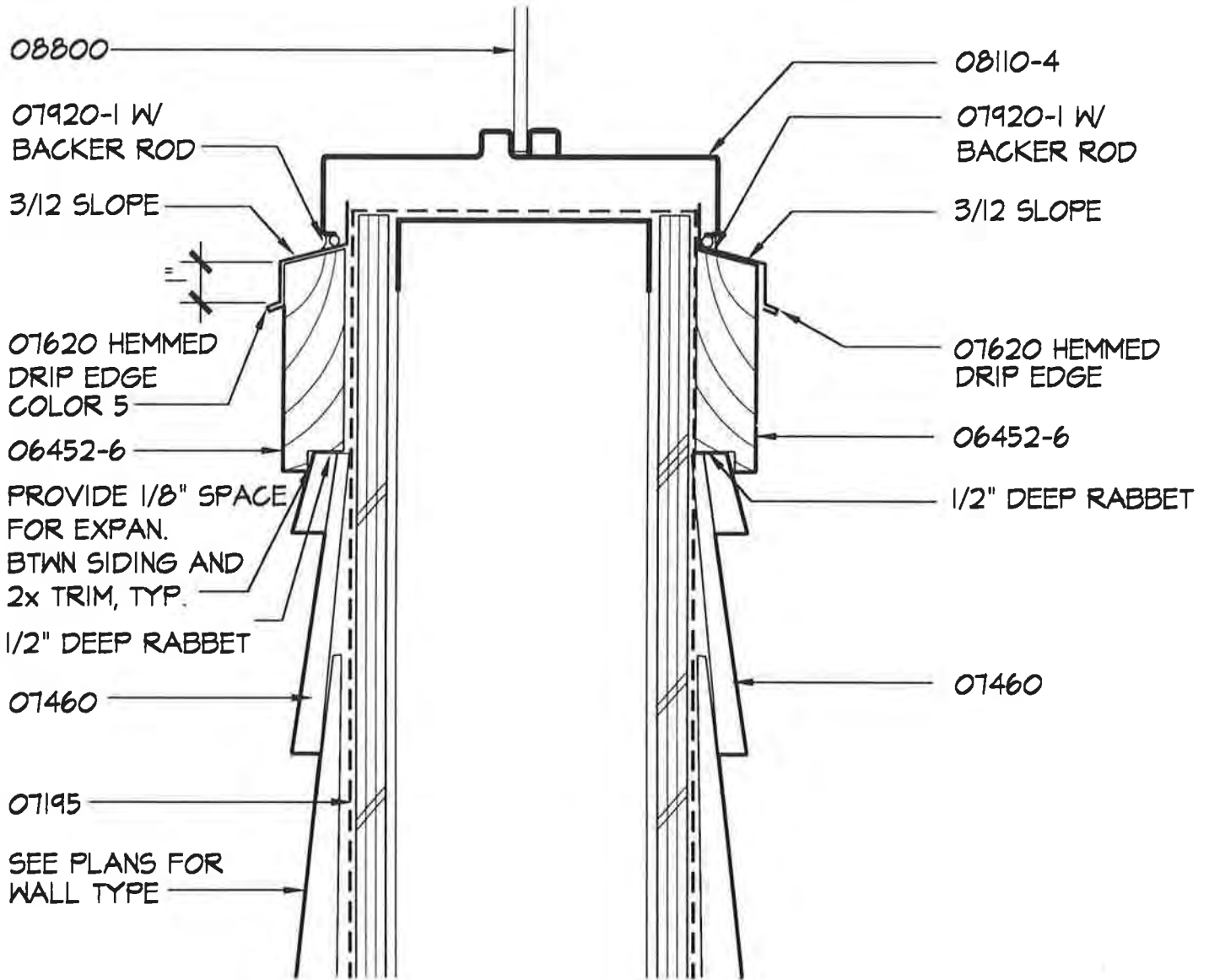
B2-205

NOTE:

1. SEE A-200 FOR COLOR LOCATIONS.
2. SEE A-600 FOR COLOR SCHEDULE.
3. SPECIAL FASTENING REQ'T'S FOR 07460 SIDING. SEE SPEC. SECTION 07460 FOR MORE INFO.
4. SEE A-600 FOR MORE WINDOW INFO

KEYNOTES

- | | |
|---------|-------------------------------|
| 06452-6 | 2x6 CEDAR |
| 07195 | AIR RETARDER |
| 07460 | EXTERIOR SIDING |
| 07620 | FLASHING |
| 07920-1 | SEALANT TYPE I |
| 08110-4 | EXTERIOR METAL WINDOW GLAZING |
| 08800 | |



EXTERIOR WINDOW SILL - ADDITIVE ALTERNATE 1

SCALE: 3' = 1'-0"

PROJECT NO.: 714.10
 DRAWN BY: JB
 CHECKED BY:
 DATE: APRIL 10, 1998



Unalaska Library

CROSS REF: DETAIL NUMBER:

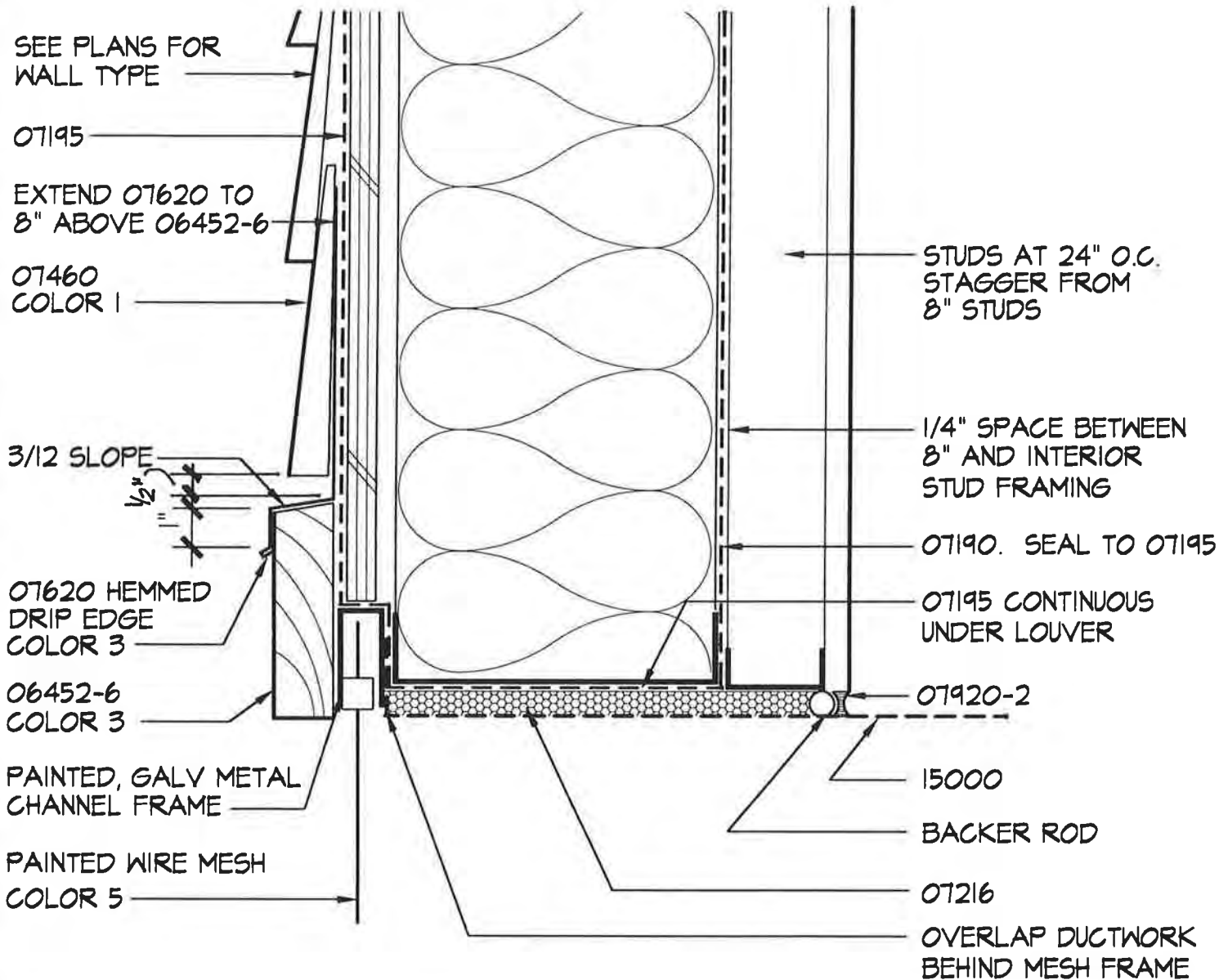
B2-206

KEYNOTES

- 06452-6 2x6 CEDAR
- 07190 VAPOR RETARDER
- 07195 AIR RETARDER
- 07216 FOAM IN PLACE INSULATION
- 07460 EXTERIOR SIDING
- 07620 FLASHING
- 07920-2 SEALANT TYPE 2
- 15000 SEE MECH DWGS

NOTE:

1. SEE A-600 FOR COLOR SCHEDULE.
2. SPECIAL FASTENING REQT'S FOR 07460 SIDING. SEE SPEC. SECTION 07460 FOR MORE INFO.



EXTERIOR LOUVER HEAD

SCALE: 3' = 1'-0"

PROJECT NO.: 714.10
 DRAWN BY: JB
 CHECKED BY:
 DATE: APRIL 10, 1998



Unalaska Library

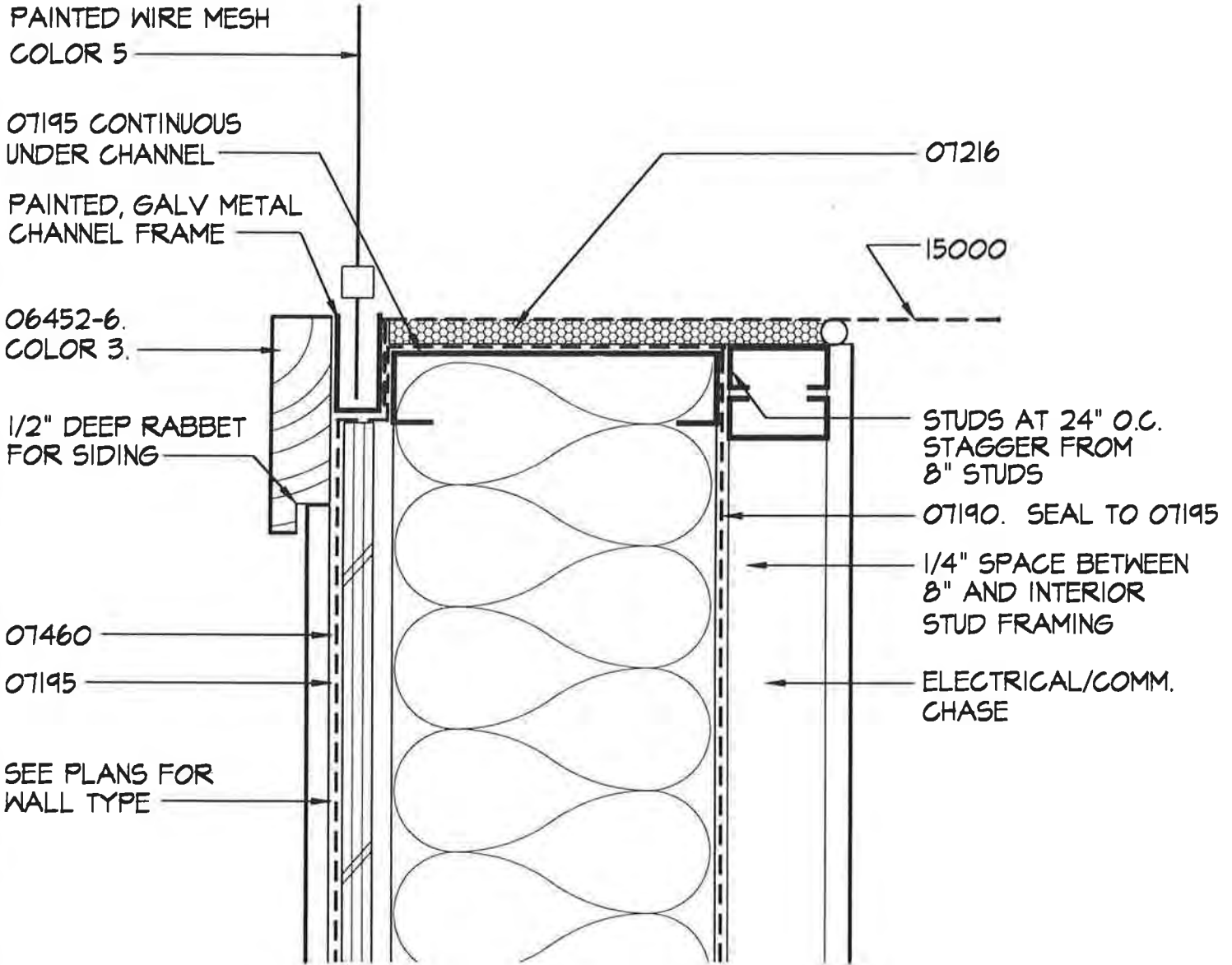
CROSS REF: DETAIL NUMBER:

B2-207

KEYNOTES

- 06452-6 2x6 CEDAR
- 07190 VAPOR RETARDER
- 07195 AIR RETARDER
- 07216 FOAM IN PLACE INSULATION
- 07460 EXTERIOR SIDING
- 07920-2 SEALANT TYPE 2
- 15000 SEE MECHANICAL DWGS

NOTE:
 1. SEE A-200 FOR COLOR LOCATIONS.
 2. SEE A-600 FOR COLOR SCHEDULE.



EXTERIOR LOUVER JAMB

SCALE: 3' = 1'-0'

PROJECT NO.: 714.10
 DRAWN BY: JB
 CHECKED BY:
 DATE: APRIL 10, 1998



Unalaska Library

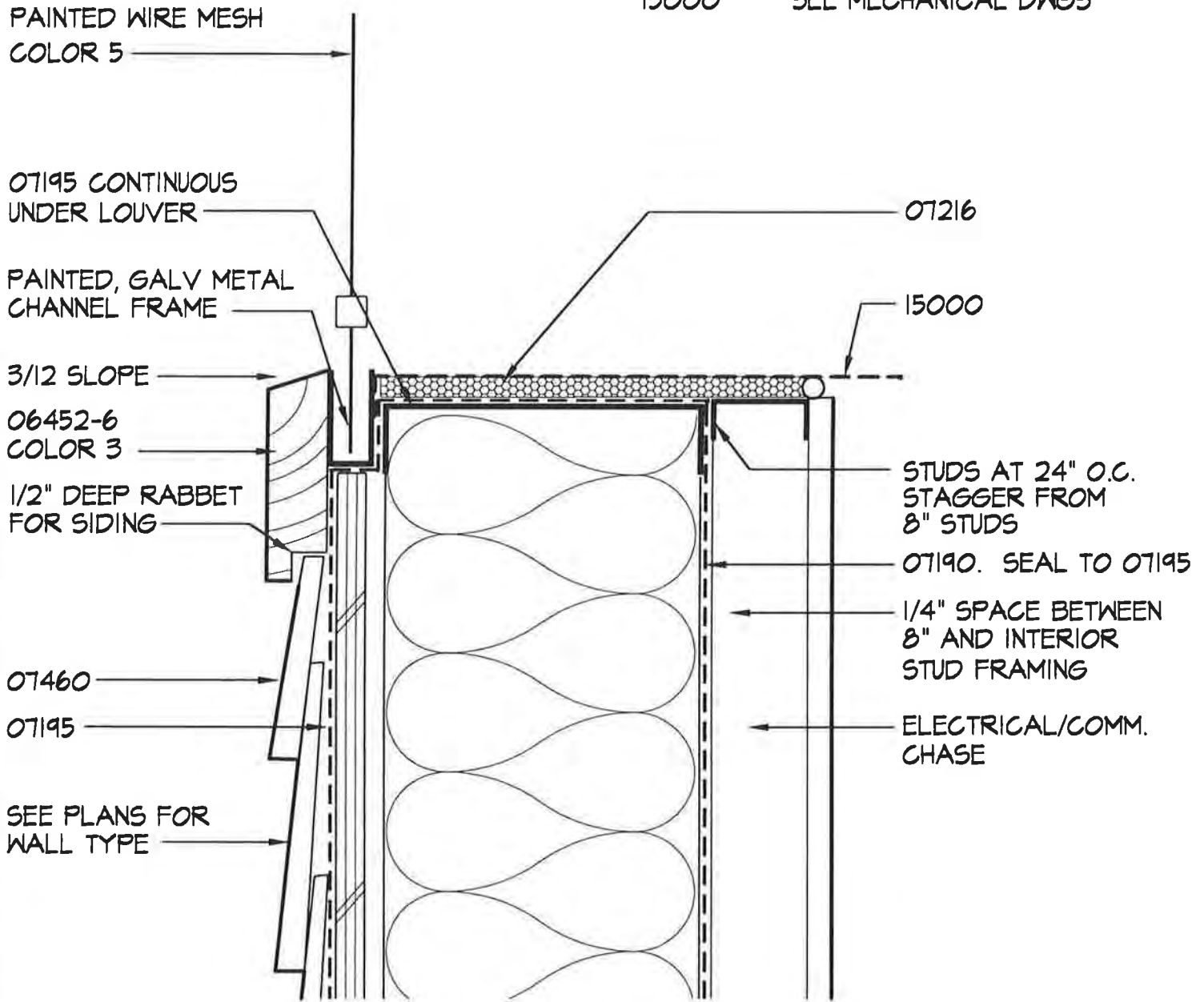
CROSS REF: DETAIL NUMBER:

B2-208

KEYNOTES

- 06452-6 2x6 CEDAR
- 07190 VAPOR RETARDER
- 07195 AIR RETARDER
- 07216 FOAM IN PLACE INSULATION
- 07460 EXTERIOR SIDING
- 07920-2 SEALANT TYPE 2
- 15000 SEE MECHANICAL DWGS

NOTE:
 1. SEE A-200 FOR COLOR LOCATIONS.
 2. SEE A-600 FOR COLOR SCHEDULE.



EXTERIOR LOUVER SILL

SCALE: 3' = 1'-0"

PROJECT NO.: 714.10
 DRAWN BY: JB
 CHECKED BY:
 DATE: APRIL 10, 1998



Unalaska Library

CROSS REF: DETAIL NUMBER:

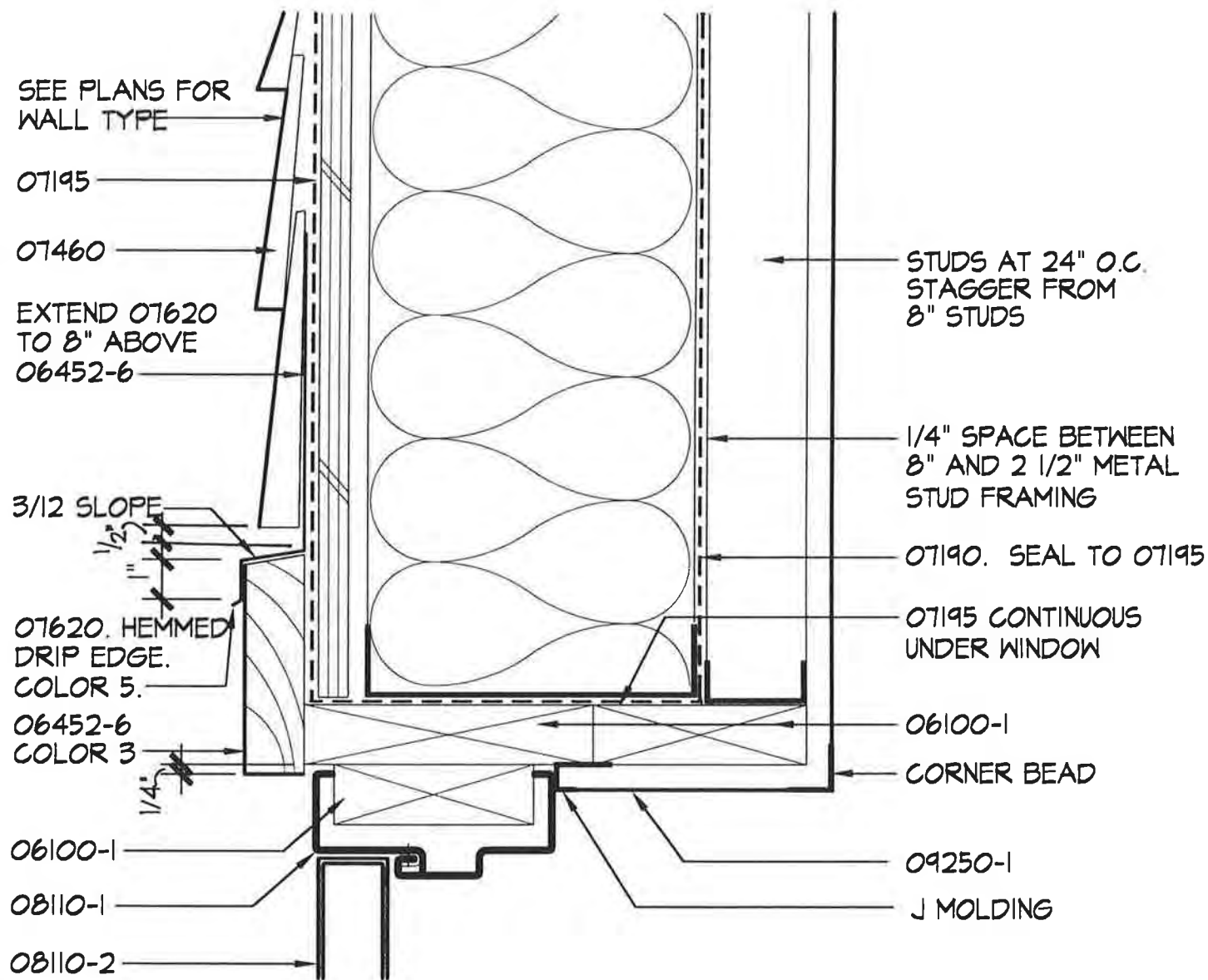
B2-209

KEYNOTES

06100-1	2x BLOCKING
06452-6	2x6 CEDAR
07190	VAPOR RETARDER
07195	AIR RETARDER
07460	EXTERIOR SIDING
07620	FLASHING
08110-1	EXTERIOR DOOR
08110-2	EXTERIOR DOOR FRAME
09250-1	GWB

NOTE:

1. SEE A-200 FOR COLOR LOCATIONS.
2. SEE A-600 FOR COLOR SCHEDULE.
3. SPECIAL FASTENING REQ'T'S FOR 07460 SIDING. SEE SPEC. SECTION 07460 FOR MORE INFO.
4. SEE A-600 FOR MORE DOOR INFO



TYPICAL EXTERIOR DOOR HEAD

SCALE: 3' = 1'-0"

PROJECT NO.: 714.10
 DRAWN BY: JB
 CHECKED BY:
 DATE: APRIL 10, 1998



Unalaska Library

CROSS REF: DETAIL NUMBER:

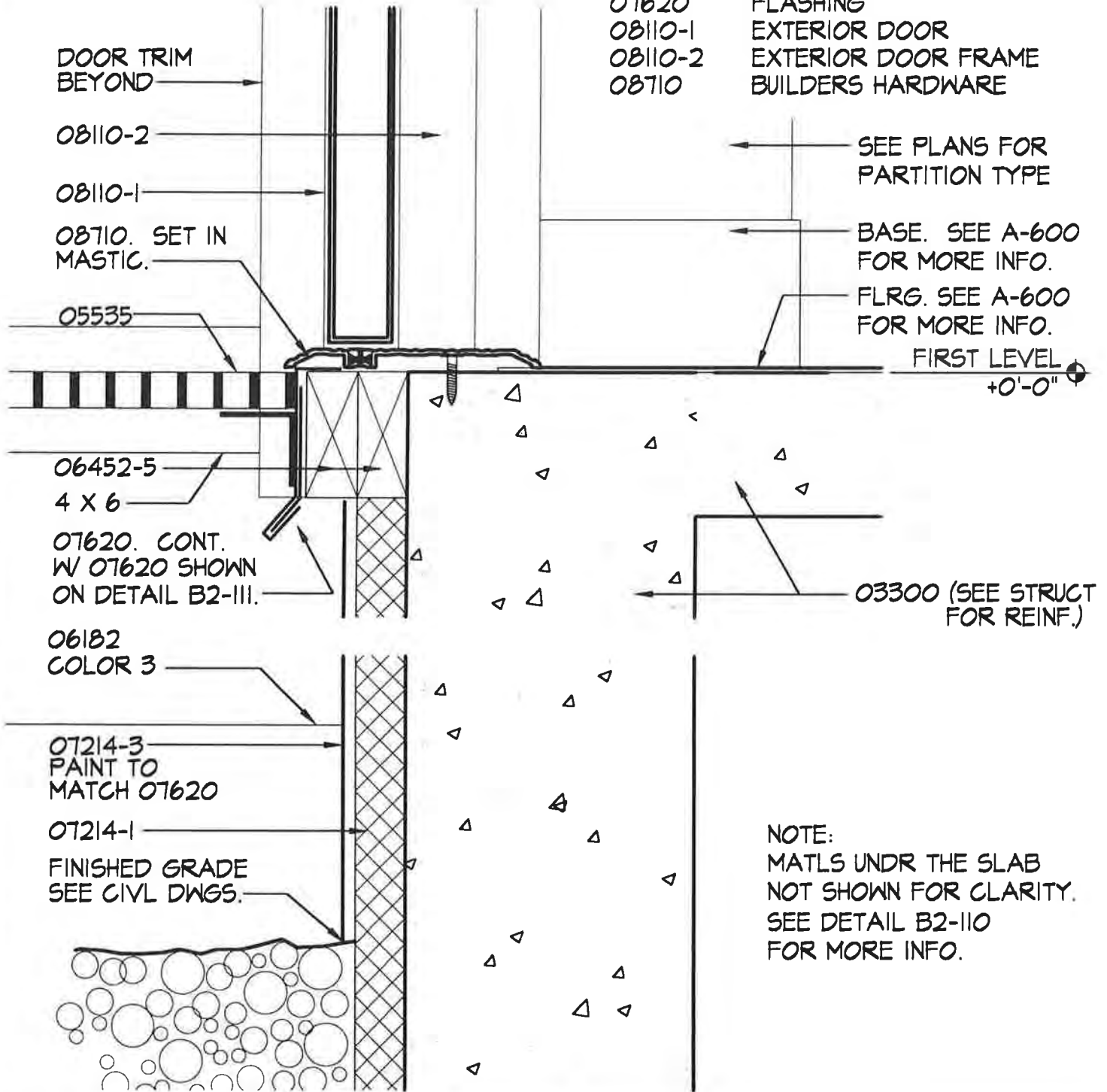
B2-300

KEYNOTES

- 03300 SEE STRUCTURAL DWGS
- 05535 ALUMINUM FLOOR GRATE
- 06182 SEE STRUCTURAL DWGS
- 06452-5 2x4 CEDAR
- 07620 FLASHING
- 08110-1 EXTERIOR DOOR
- 08110-2 EXTERIOR DOOR FRAME
- 08710 BUILDERS HARDWARE

NOTE:

1. SEE A-200 FOR COLOR LOCATIONS.
2. SEE A-600 FOR COLOR SCHEDULE.
3. SEE A-600 FOR MORE DOOR INFO



EXTERIOR DOOR THRESHOLD AT ENTRY 101

SCALE: 3' = 1'-0"

PROJECT NO.: 714.10
 DRAWN BY: JB
 CHECKED BY:
 DATE: APRIL 10, 1998



Unalaska Library

CROSS REF: DETAIL NUMBER:

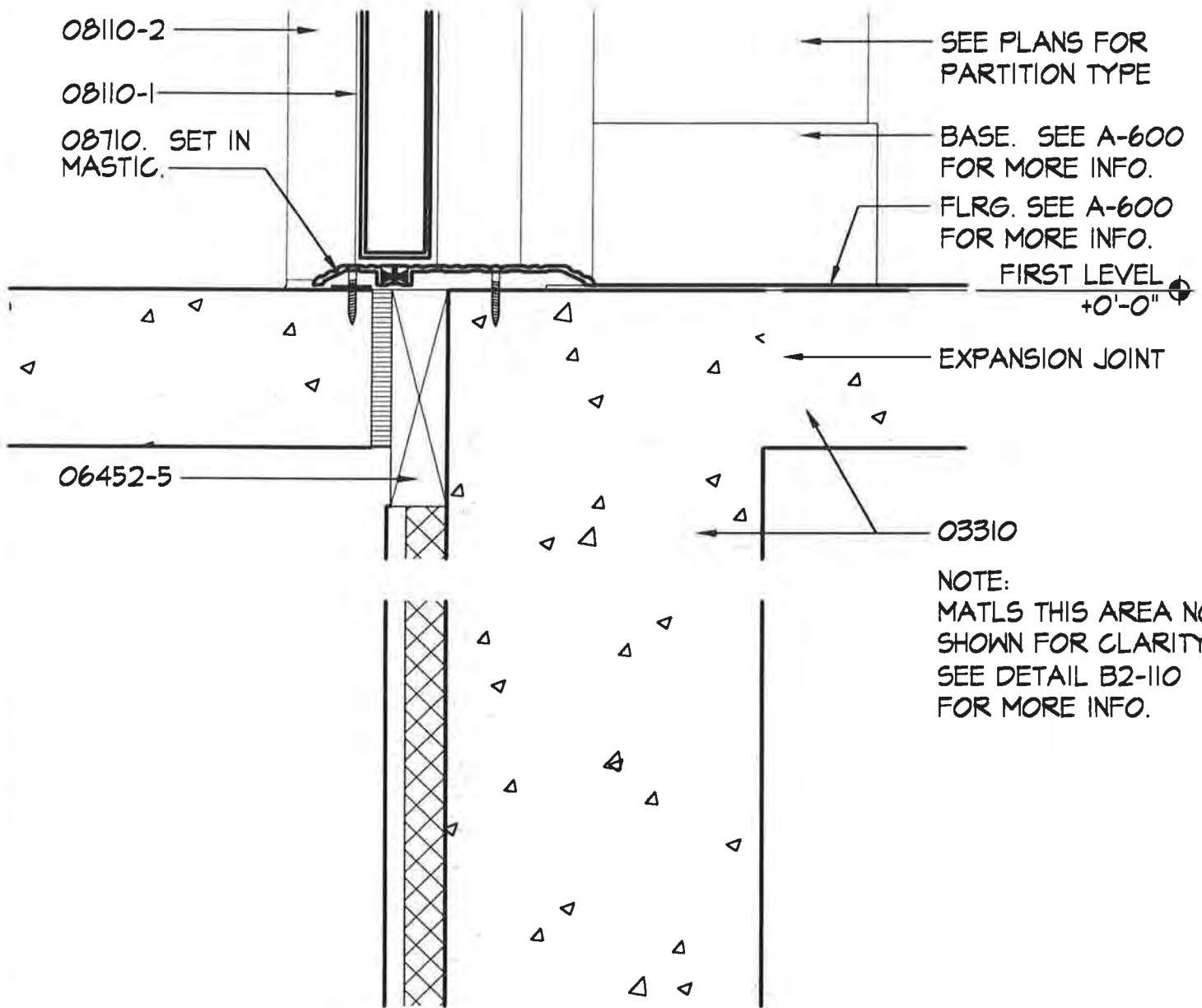
B2-302

KEYNOTES

- 03310 SEE STRUCTURAL DWGS
- 06452-5 2x4 CEDAR
- 07620 FLASHING
- 08110-1 EXTERIOR DOOR
- 08110-2 EXTERIOR DOOR FRAME
- 08710 BUILDERS HARDWARE

NOTE:

1. SEE A-200 FOR COLOR LOCATIONS.
2. SEE A-600 FOR COLOR SCHEDULE.



NOTE:
 MATLS THIS AREA NOT SHOWN FOR CLARITY. SEE DETAIL B2-110 FOR MORE INFO.

EXTERIOR DOOR THRESHOLD CONCRETE LANDING

SCALE: 3' = 1'-0"

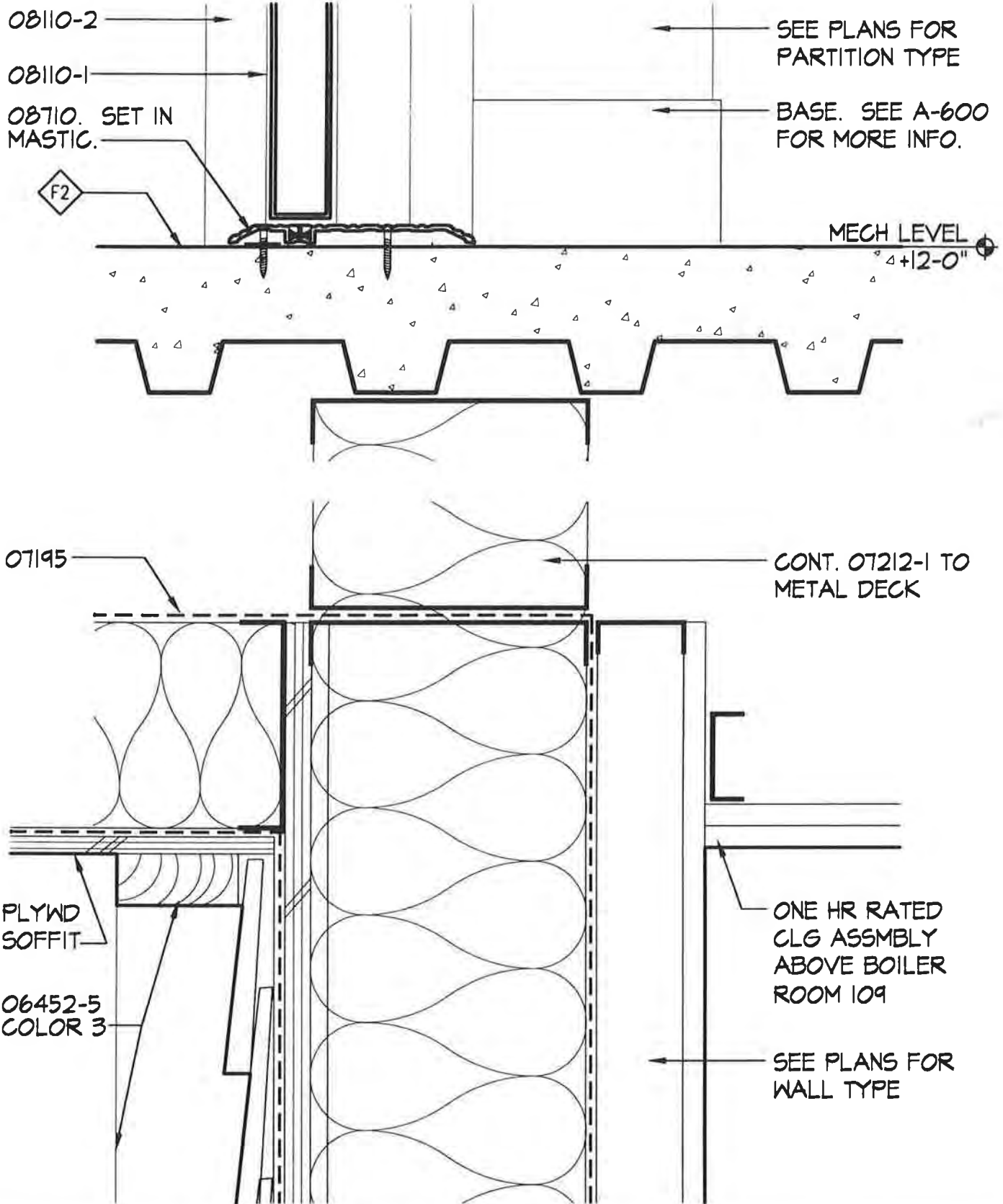
PROJECT NO.: 714.10
 DRAWN BY: JB
 CHECKED BY:
 DATE: APRIL 10, 1998



Unalaska Library

CROSS REF: DETAIL NUMBER:

B2-303



EXTERIOR DOOR THRESHOLD AT FAN ROOM 201

SCALE: 3' = 1'-0"

PROJECT NO.: 714.10
 DRAWN BY: JB
 CHECKED BY:
 DATE: APR 10, 1998



Unalaska Library

CROSS REF: DETAIL NUMBER:

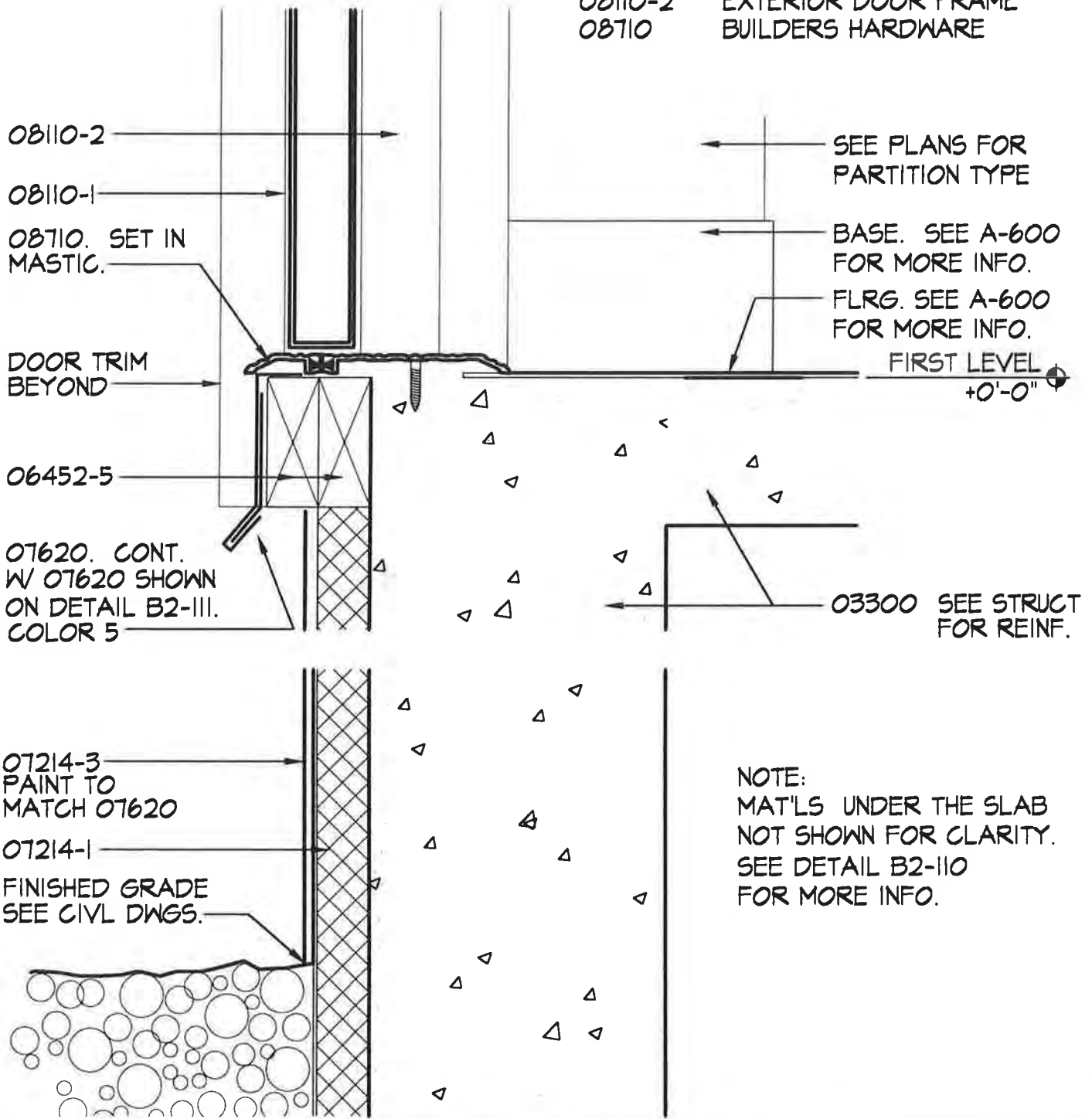
B2-304

NOTE:

1. SEE A-200 FOR COLOR LOCATIONS
2. SEE A-600 FOR COLOR SCHEDULE.
3. SEE A-600 FOR MORE DOOR INFO.

KEYNOTES

- 03300 SEE STRUCTURAL DWGS
- 06452-5 2x4 CEDAR
- 07620 FLASHING
- 08110-1 EXTERIOR DOOR
- 08110-2 EXTERIOR DOOR FRAME
- 08710 BUILDERS HARDWARE



EXTERIOR DOOR THRESHOLD AT ADULT RM 120

SCALE: 3' = 1'-0"

PROJECT NO.: 714.10
 DRAWN BY: JB
 CHECKED BY:
 DATE: APRIL 10, 1998



Unalaska Library

CROSS REF: DETAIL NUMBER:

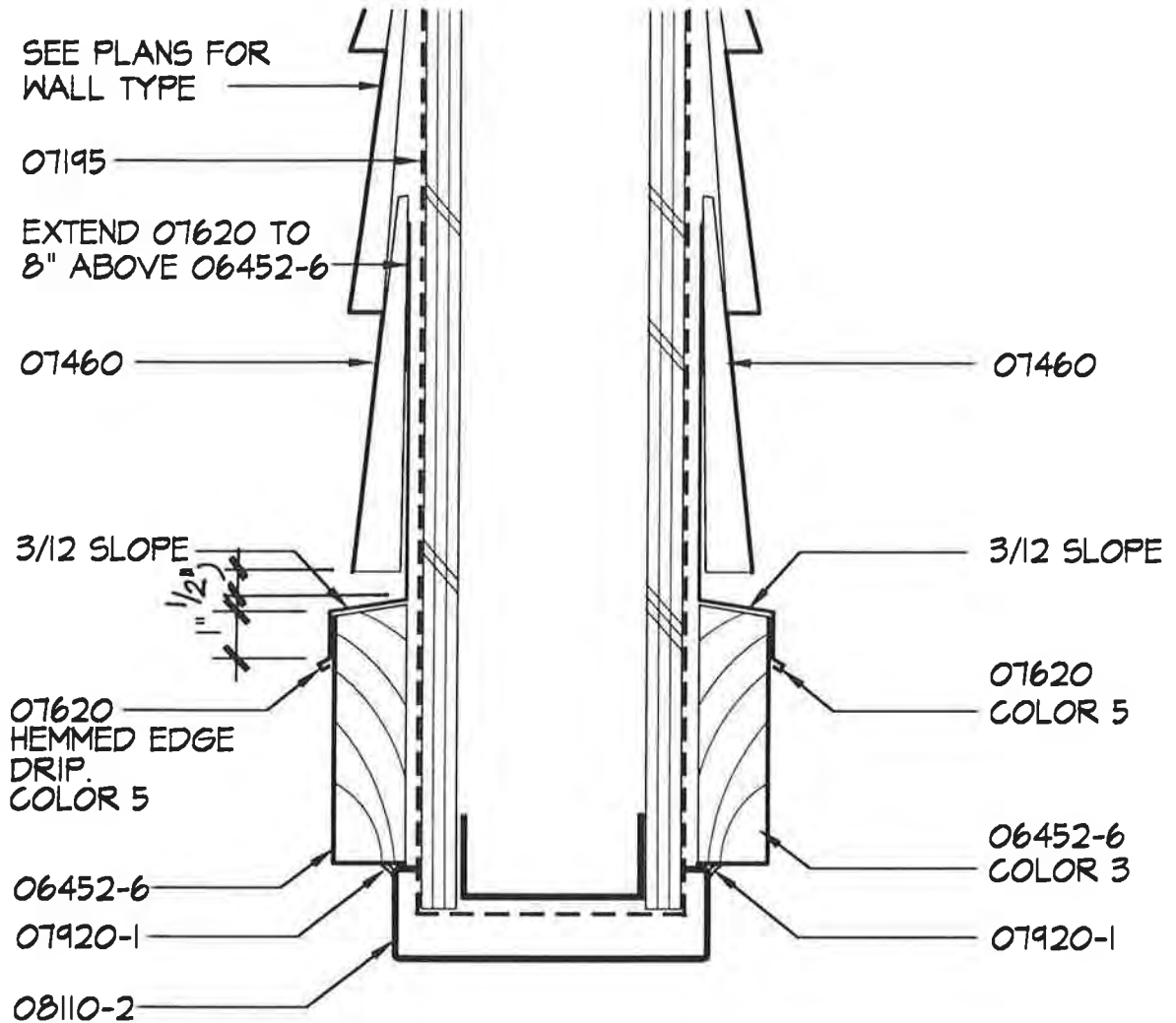
B2-305

NOTE:

1. SEE A-200 FOR COLOR LOCATIONS.
2. SEE A-600 FOR COLOR SCHEDULE.
3. SPECIAL FASTENING REQ'T'S FOR 07460 SIDING. SEE SPEC. SECTION 07460 FOR MORE INFO.
4. SEE A-600 FOR MORE DOOR INFO.

KEYNOTES

- | | |
|---------|------------------|
| 06452-6 | 2x6 CEDAR |
| 07195 | AIR RETARDER |
| 07460 | EXTERIOR SIDING |
| 07620 | FLASHING |
| 07920-1 | SEALANT TYPE I |
| 08110-2 | EXTERIOR DOOR FR |



EXTERIOR DOOR HEAD - ADDITIVE ALTERNATE 1

SCALE: 3' = 1'-0"

PROJECT NO.: 714.10
 DRAWN BY: JB
 CHECKED BY:
 DATE: APR 11 10 1998



Unalaska Library

CROSS REF: DETAIL NUMBER:

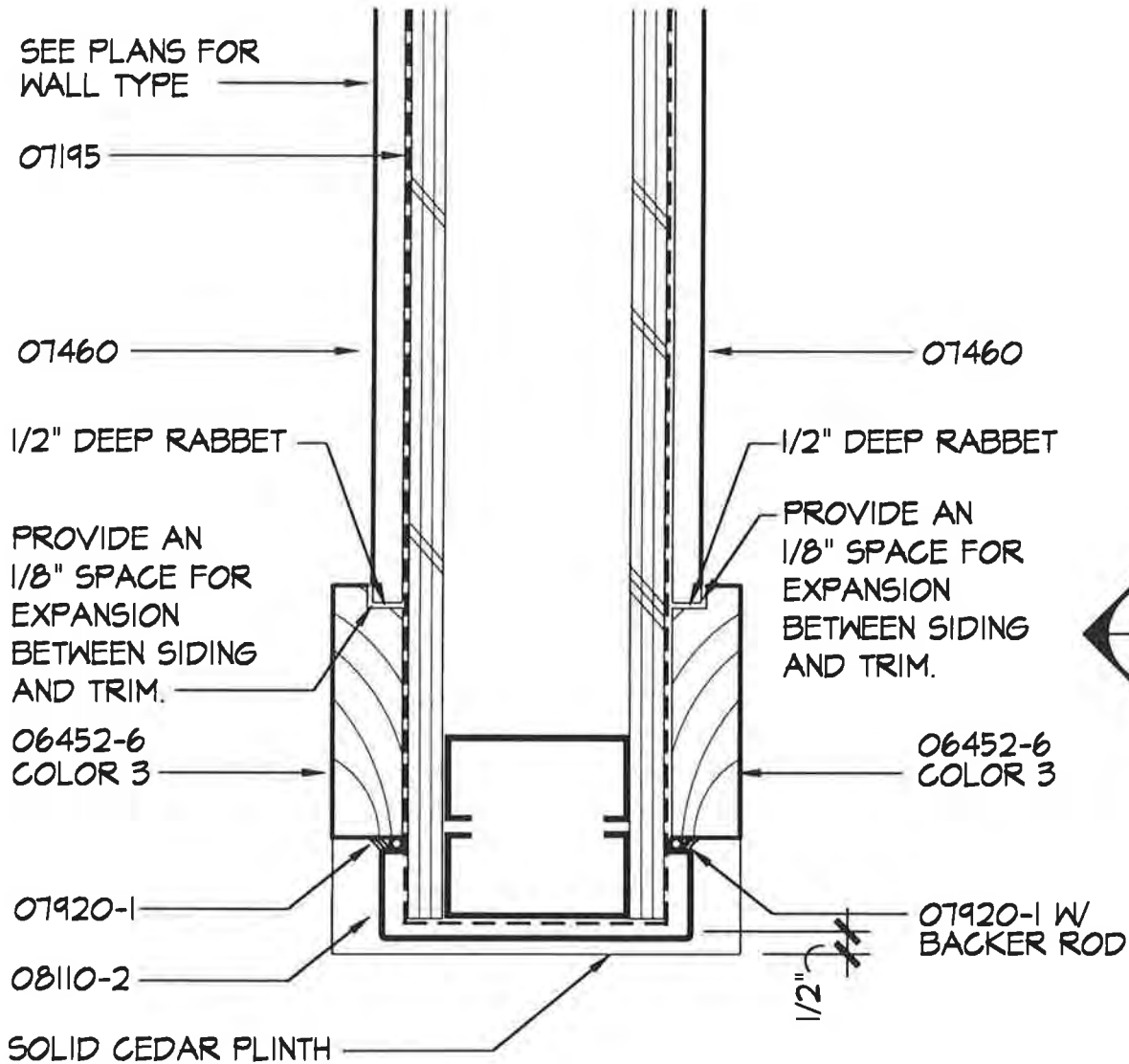
B2-310

KEYNOTES

- 06452-6 2x6 CEDAR
- 07195 AIR RETARDER
- 07460 EXTERIOR SIDING
- 07920-1 SEALANT TYPE I
- 08110-2 EXTERIOR DOOR FRAME

NOTE:

1. SEE A-200 FOR COLOR LOCATIONS.
2. SEE A-600 FOR COLOR SCHEDULE.
3. SPECIAL FASTENING REQ'T'S FOR 07460 SIDING. SEE SPEC. SECTION 07460 FOR MORE INFO.
4. SEE A-600 FOR MORE DOOR INFO.



EXTERIOR DOOR JAMB - ADDITIVE ALTERNATE 1

SCALE: 3" = 1'-0"

PROJECT NO.: 114.10
 DRAWN BY: JB
 CHECKED BY:
 DATE: APRIL 10, 1998

**LIVINGSTON
 SLONE**
 ARCHITECTURE
 ENGINEERING
 PLANNING
 INTERIOR DESIGN

Unalaska Library

CROSS REF: DETAIL NUMBER:

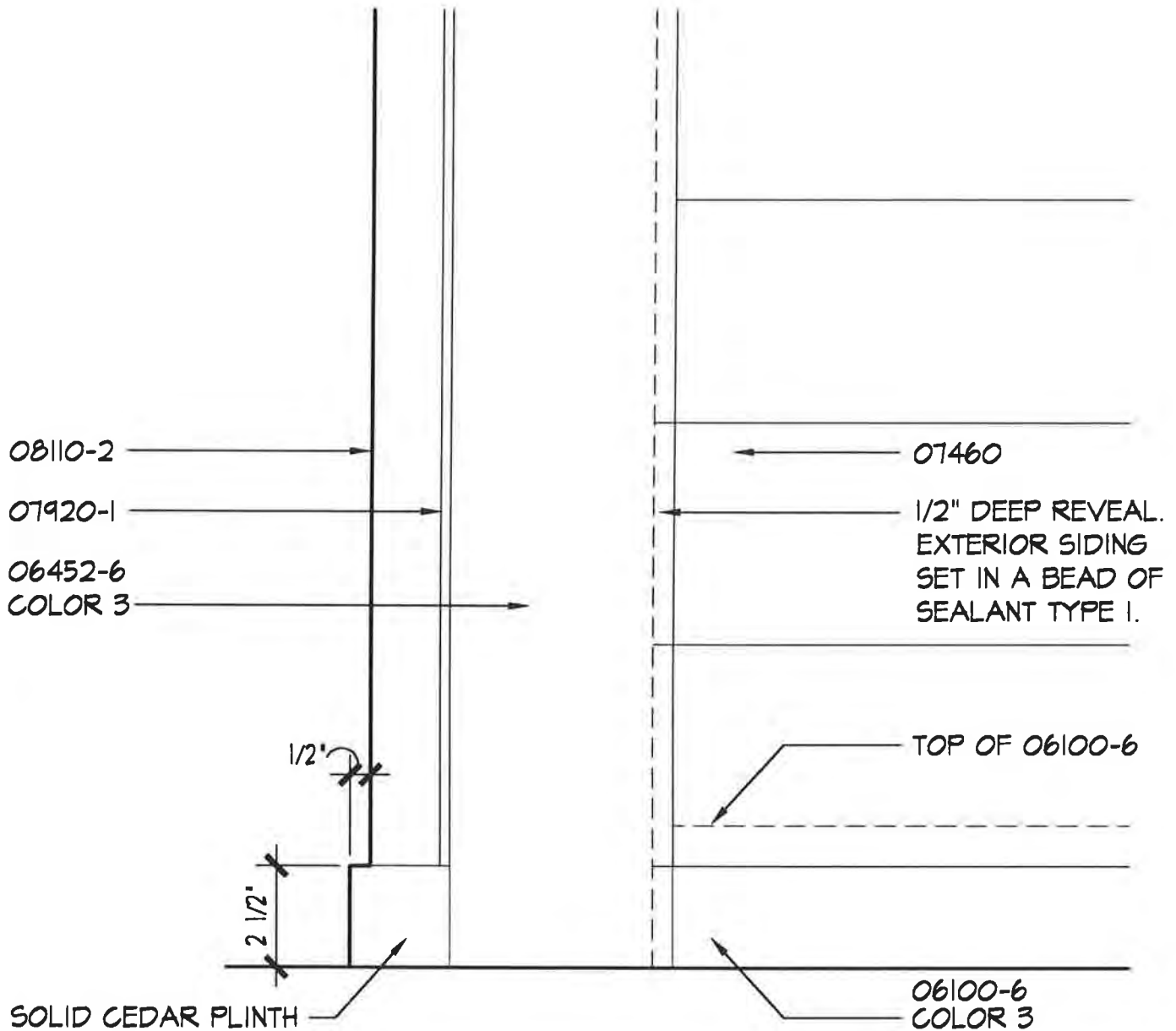
B2-311

NOTE:

1. SEE A-200 FOR COLOR LOCATIONS.
2. SEE A-600 FOR COLOR SCHEDULE.
3. SPECIAL FASTENING REQ'TS FOR 07460 SIDING. SEE SPEC. SECTION 07460 FOR MORE INFO.
4. SEE A-600 FOR MORE DOOR INFO.

KEYNOTES

- | | |
|---------|---------------------|
| 06110-6 | 4x6 CEDAR |
| 06452-6 | 2x6 CEDAR |
| 07460 | EXTERIOR SIDING |
| 07920-1 | SEALANT TYPE I |
| 08110-2 | EXTERIOR DOOR FRAME |



EXTERIOR DOOR THRESHOLD - ADD. ALTERNATE 1

SCALE: 3' = 1'-0"

PROJECT NO.: 714.10
 DRAWN BY: JB
 CHECKED BY:
 DATE: APRIL 10, 1998



Unalaska Library

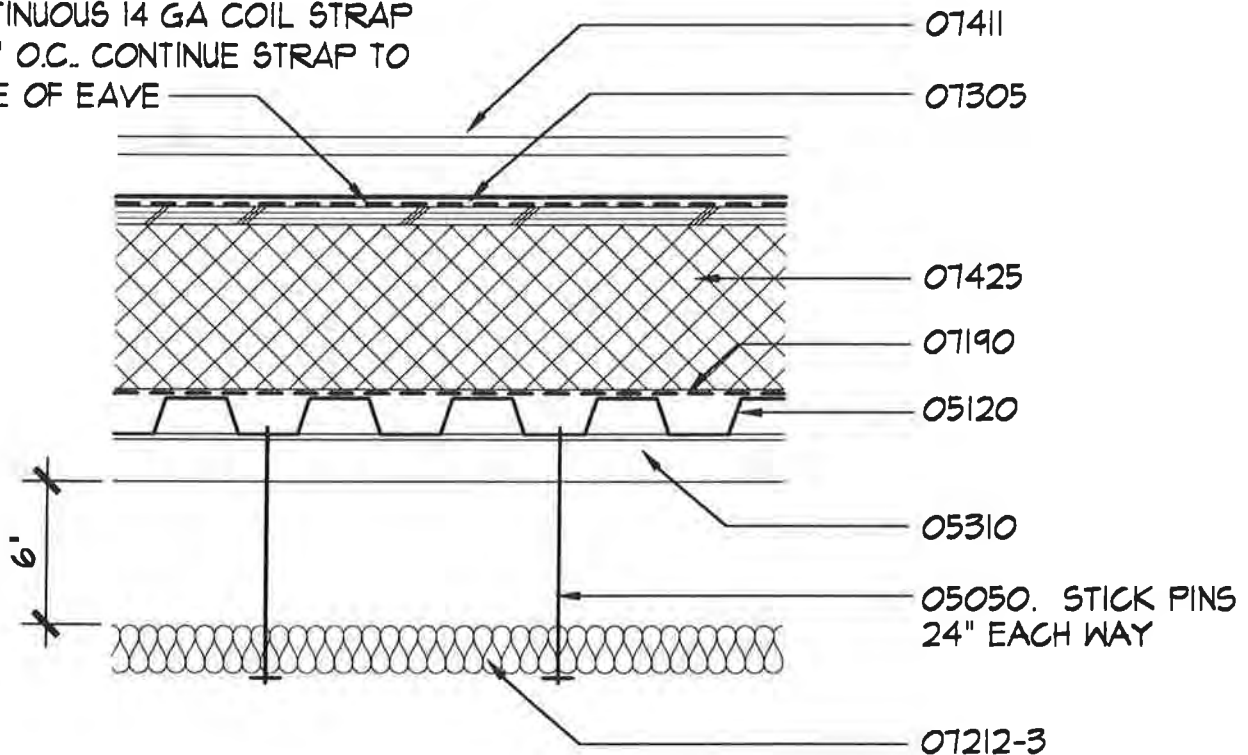
CROSS REF: DETAIL NUMBER:

B2-312

KEYNOTES

05050	FASTENERS
05120	SEE STRUCTURAL DWGS
05310	SEE STRUCTURAL DWGS
07190	VAPOR RETARDER
07212-3	SEMI RIGID INSULATION
07305	UNDERLAYMENT
07411	METAL ROOFING SYSTEM
07425	COMPOSITE ROOF PANELS

CONTINUOUS 14 GA COIL STRAP
AT 8' O.C.. CONTINUE STRAP TO
EDGE OF EAVE



NOTE:

LOCATIONS OF 07212-3 W/ STICK PINS ABOVE AS FOLLOWS

REFERENCE	RM 118
YOUNG ADULT READING	RM 119
ADULT READING 2	RM 120
ADULT READING 1	RM 123
BOOK STACKS	RM 127

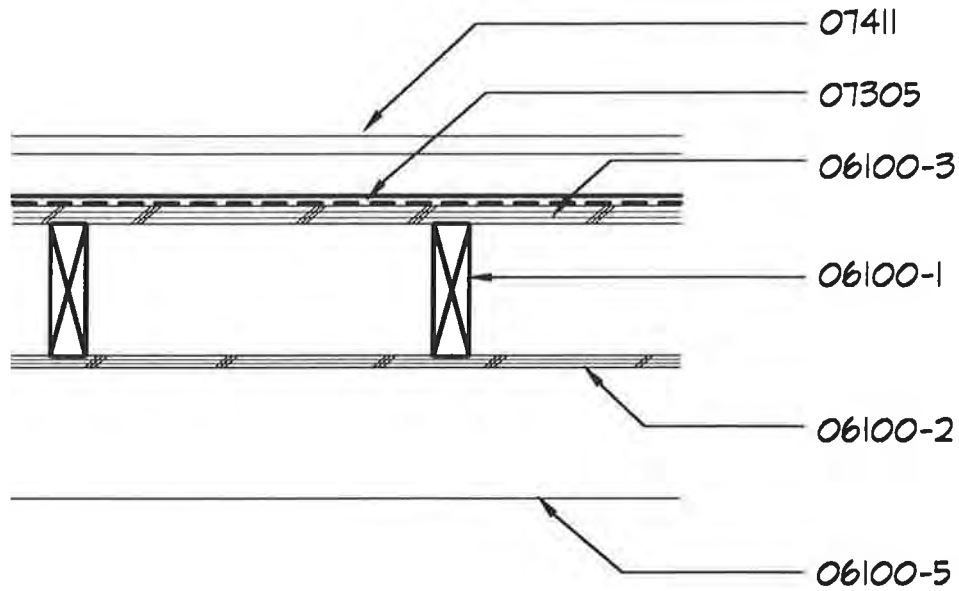
ROOF TYPE 1

SCALE: 1 1/2" = 1'-0"

PROJECT NO.: 714.10
DRAWN BY: JB
CHECKED BY:
DATE: APRIL 10, 1998

KEYNOTES

- 06100-1 2x6 AT 16" O.C.
- 06100-2 1/2" PLYWOOD
- 06100-3 3/4" PLYWOOD
- 06100-5 SEE STRUCTURAL DWGS
- 07305 UNDERLAYMENT
- 07411 METAL ROOFING SYSTEM



ROOF TYPE 2 - ADDITIVE ALTERNATE 1

SCALE: 1/2" = 1'-0"

PROJECT NO.: 714.10
DRAWN BY: JB
CHECKED BY:
DATE: APRIL 10, 1998



Unalaska Library

CROSS REF: DETAIL NUMBER:

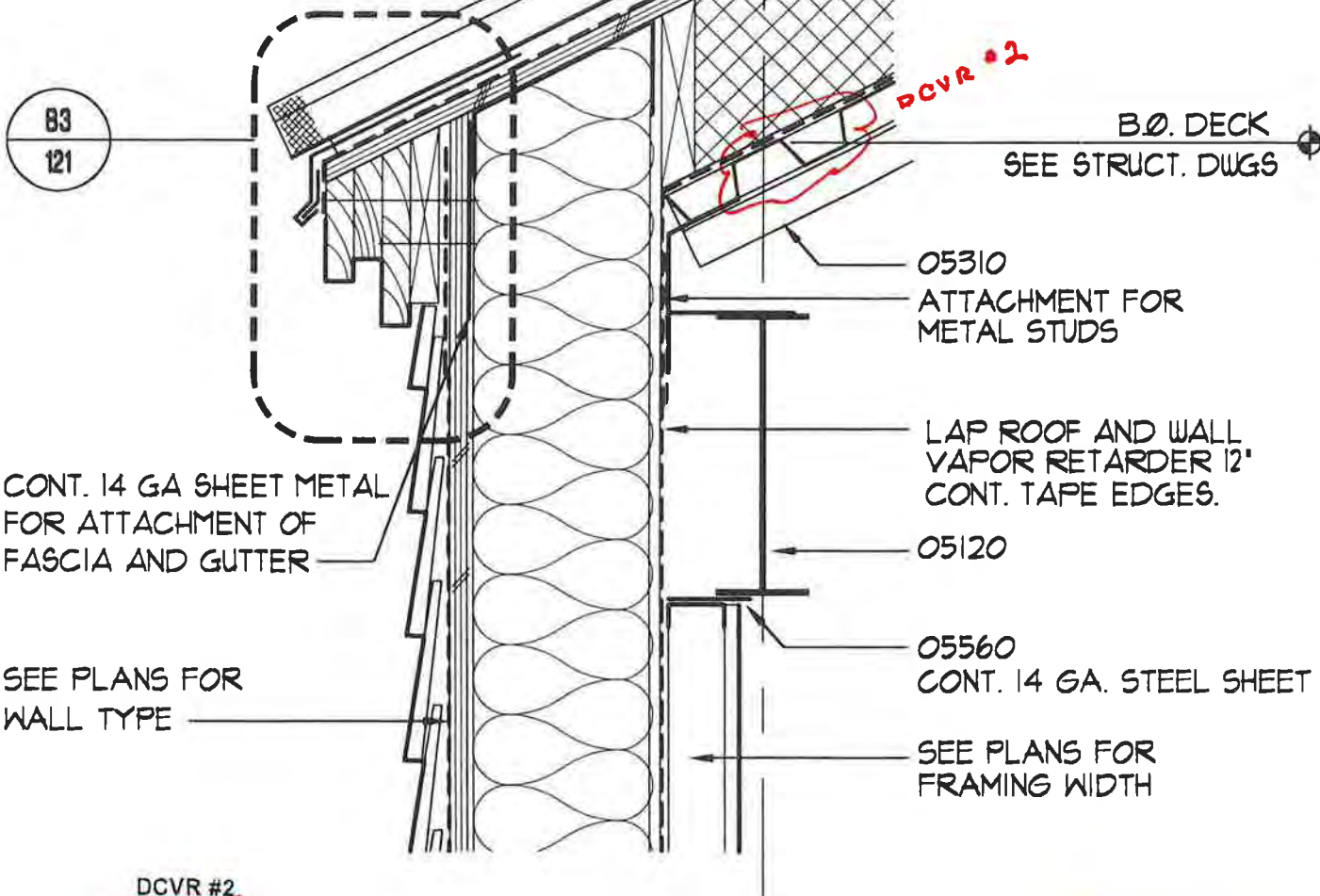
B3-101

KEYNOTES

- 05120 SEE STRUCTURAL DWGS
- 05310 SEE STRUCTURAL DWGS

CONTINUOUS 14 GA. COIL STRAP AT 8' O.C. CONTINUE STRAP TO EDGE OF EAVE.

R1
COORDINATE LOCATION OF CONCEALED FASTENERS TO MEET THERMAL EXPANSION REQ'TS



DCVR #2

Your comment is correct. Revise details B3-110, B3-113, and B3-114 to indicate datum point of +12'-5" is to bottom of decking.

TYPICAL ROOF EAVE

SCALE: 1 1/2" = 1'-0"

PROJECT NO.: 714.10
 DRAWN BY: JB
 CHECKED BY:
 DATE: APRIL 10, 1998



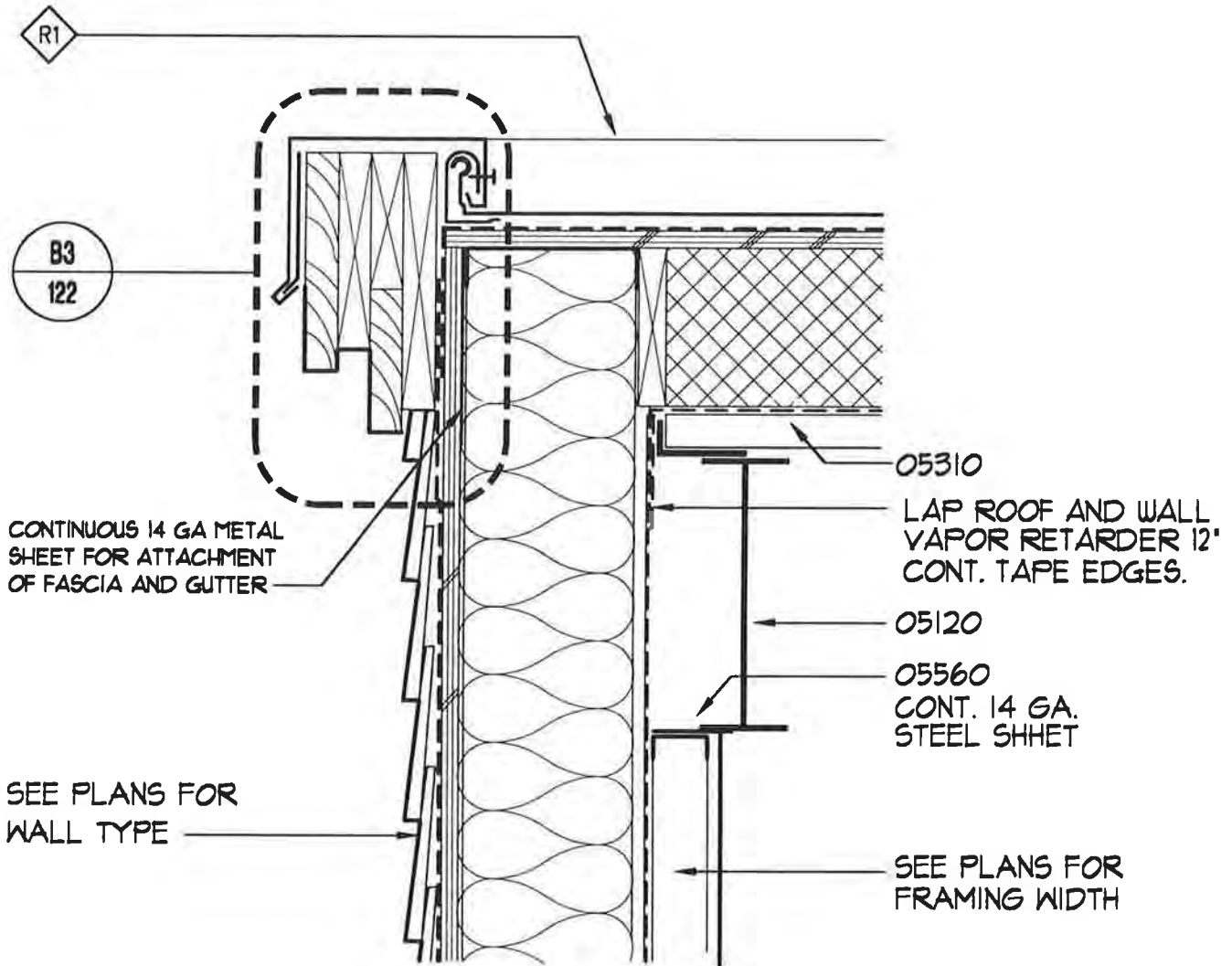
Unalaska Library

CROSS REF: DETAIL NUMBER:

B3-110

KEYNOTES

- 05120 SEE STRUCTURAL DWGS
- 05310 SEE STRUCTURAL DWGS
- 05360 METAL FABRICATION



TYPICAL ROOF RAKE

SCALE: 1 1/2" = 1'-0"

PROJECT NO.: 714.10
 DRAWN BY: JB
 CHECKED BY:
 DATE: APRIL 10, 1998



Unalaska Library

CROSS REF: DETAIL NUMBER:

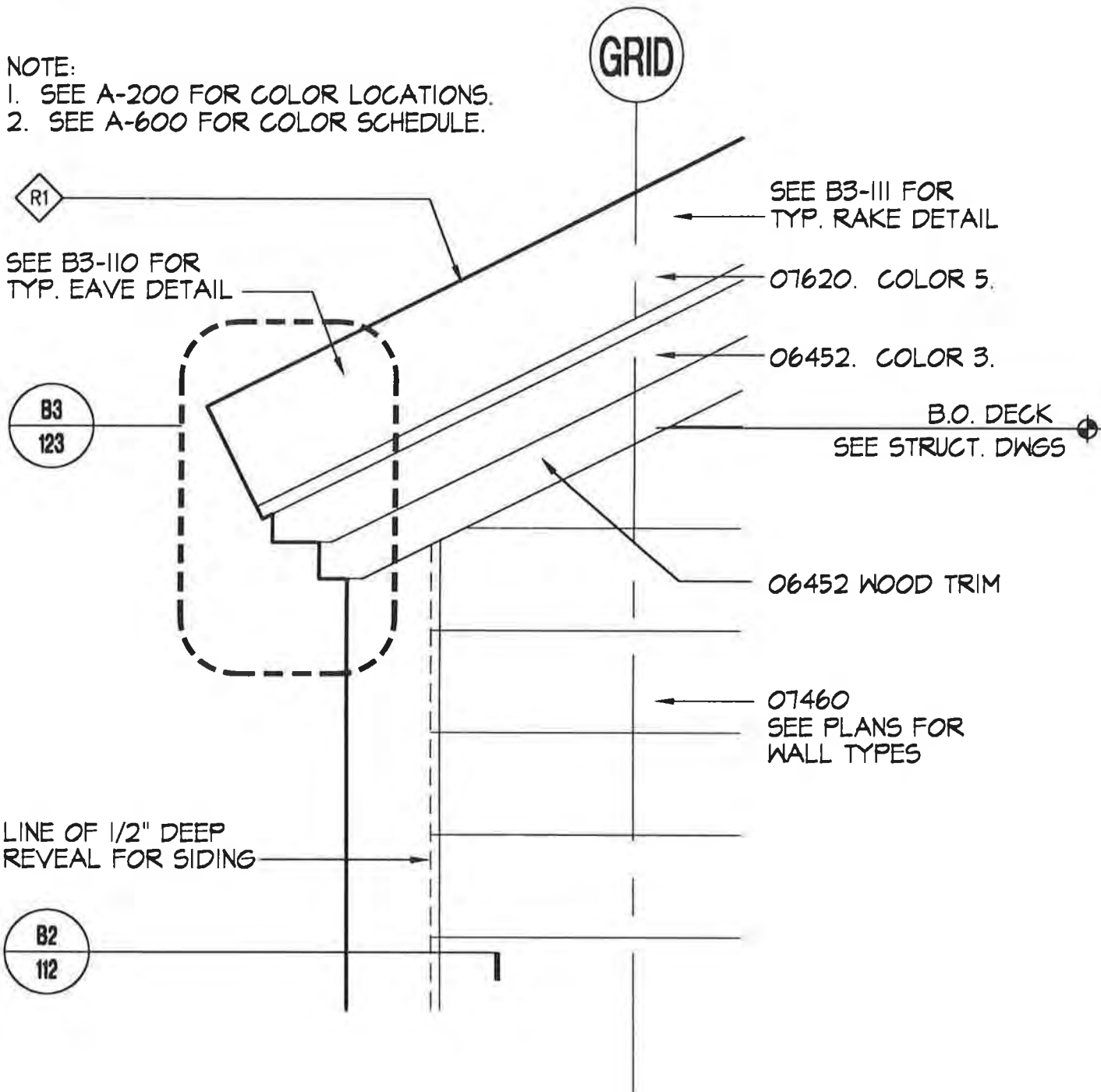
B3-111

KEYNOTES

- 06452 CEDAR WOOD TRIM
- 07460 EXTERIOR SIDING
- 07620 FLASHING

NOTE:

1. SEE A-200 FOR COLOR LOCATIONS.
2. SEE A-600 FOR COLOR SCHEDULE.



TYPICAL ROOF RAKE ELEVATION

SCALE: 1/2" = 1'-0"

PROJECT NO.: 714.10
 DRAWN BY: JB
 CHECKED BY:
 DATE: APRIL 10, 1998



Unalaska Library

CROSS REF: DETAIL NUMBER:

B3-112

KEYNOTES

05120 SEE STRUCTURAL DWGS
 05310 SEE STRUCTURAL DWGS

CONTINUOUS 14 AG COIL STRAP
 AT 8' O.C. CONTINUE STAP TO
 EDGE OF EAVE.

R1
 COORDINATE LOCATION OF
 CONCEALED FASTENERS
 TO MEET THERMAL
 EXPANSION REQ'TS

B3
 124
 SIM

GRID

DECK 2

B.O. DECK
 SEE STRUCT. DWGS

CONTINUOUS 14 GA SHEET
 METAL FOR ATTACHMENT
 OF FASCIA AND GUTTER

SEE PLANS FOR
 WALL TYPE

05310

LAP ROOF AND WALL
 VAPOR RETARDER 1'-0"
 CONT. TAPE EDGES.

05120

05560. CONTINUOUS
 14 GA STEEL SHEET

SEE PLANS FOR
 FRAMING WIDTH

ROOF EAVE AT GUTTER

SCALE: 1 1/2" = 1'-0"

PROJECT NO.: 714.10
 DRAWN BY: JB
 CHECKED BY:
 DATE: APRIL 10, 1998



Unalaska Library

CROSS REF: DETAIL NUMBER:

B3-113

Responses to DCVR 3

Applies To soffit along "F" Line only.
per Dan Smith

- A. Change A-103; exterior soffit heights from 10'-0" to 9'-9". The exception is the exterior soffit outside of door 110. Refer to LSI response to DCVR 005 for soffit height in that location.
- B. Revise detail B3-114:
 1. Change horizontal soffit framing from 09250-12 6" METAL STUD FRAMING to 09250-11 4" METAL STUD FRAMING.
 2. Change horizontal soffit insulation from 07212-1 BATT INSUL TYPE 1 which is two layers of R-13 batt insulation to one layer of R-13 batt insulation.
 3. Clearance between the bottom of the W21 beam and the 4" horizontal soffit framing shall be a minimum of 1".
 4. Revise the note LAP VAPOR RETARDER TOP TRACK BEFORE INSTALLING BRACING to LAP VAPOR RETARDER OVER THE TOP TRACK BEFORE INSTALLING BRACING. The intent is to keep the vapor retarder continuous from the roof to the soffit and to the interior face of the exterior wall.

DESIGN CLARIFICATION VERIFICATION REQUEST

Unalaska Library

LSI PN: 714.11
LSI FN: 4.4.1

DCVR No: 4
Date: 07/24/98

Request made By: R Barnes
Reply Required Date: 07/24/98

Item: Detail Clarification

Reference Document(s): Drawing A-301, Detail B3-116

Description: Detail B3/A-301 suggests that the wall along column line "F" terminates at the ceiling.
It seems like the wall along "F" line should run past the roof line at the 1st floor and terminate at the 2nd floor roof.
The low roof should tie into the wall along "F" line instead of the wall into the roof.
Please Advise

Potential Time Impact (days): Cost Impact:

Originator: R Barnes
Name/Title: Date: 07/24/98

Response/Remarks:

DCVR #4

Metal framing can be revised per your recommendation. If the framing is revised, relocate the vapor retarder to that it is continuous for the underside of the roof deck to the interior face of the exterior wall. Seal the vapor retarder to the underside of the roof deck. All mechanical, electrical and plumbing penetrations through the vapor retarder must be sealed.

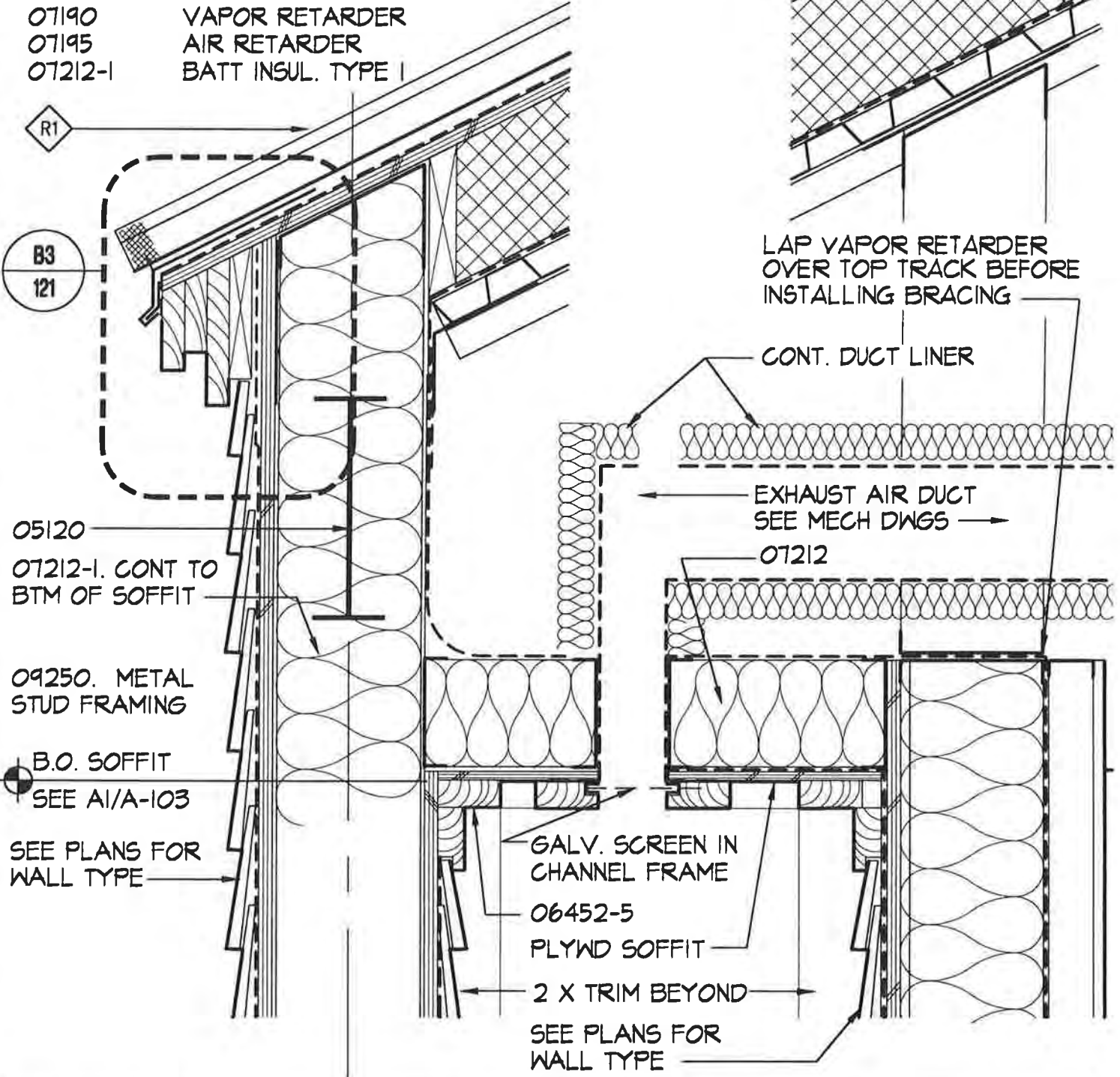
JOB NO: 9820
FILE: 0 TO / 0
CC: RB
FF
GB

GRID

SEE DEVR # 4

KEYNOTES

- 05120 SEE STRUCTURAL DWGS
- 06100-1 PLYWOOD SOFFIT
- 06452-5 2x4 CEDAR
- 07190 VAPOR RETARDER
- 07195 AIR RETARDER
- 07212-1 BATT INSUL. TYPE I



STAFF ENTRY SOFFIT/EXHAUST AIR

SCALE: 1/2" = 1'-0"

PROJECT NO.: 714.10
 DRAWN BY: JB
 CHECKED BY:
 DATE: APRIL 10, 1998



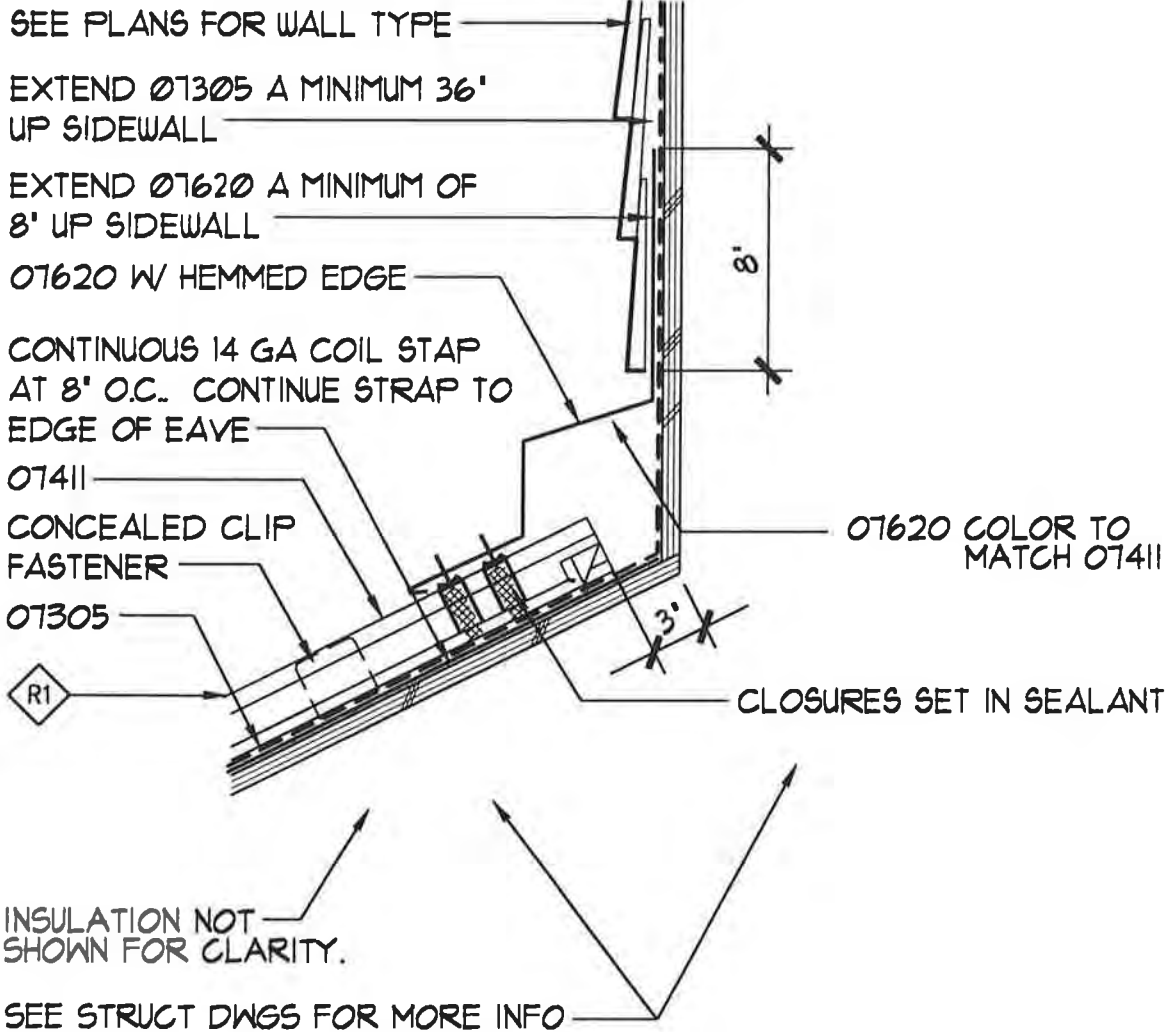
Unalaska Library

CROSS REF: DETAIL NUMBER:

B3-116

KEYNOTES

- 06100-3 3/4" PLYWOOD
- 07411 METAL ROOFING SYSTEM
- 07305 SELF ADHESIVE UNDERLAYMENT
- 07620 SHEET METAL FLASHING
- 07305 SELF ADHESIVE UNDERLAYMENT



FAN ROOM SIDEWALL AT ROOF RIDGE

SCALE: 1 1/2" = 1'-0"

PROJECT NO.: 714.10
 DRAWN BY: JB
 CHECKED BY:
 DATE: APRIL 10, 1998



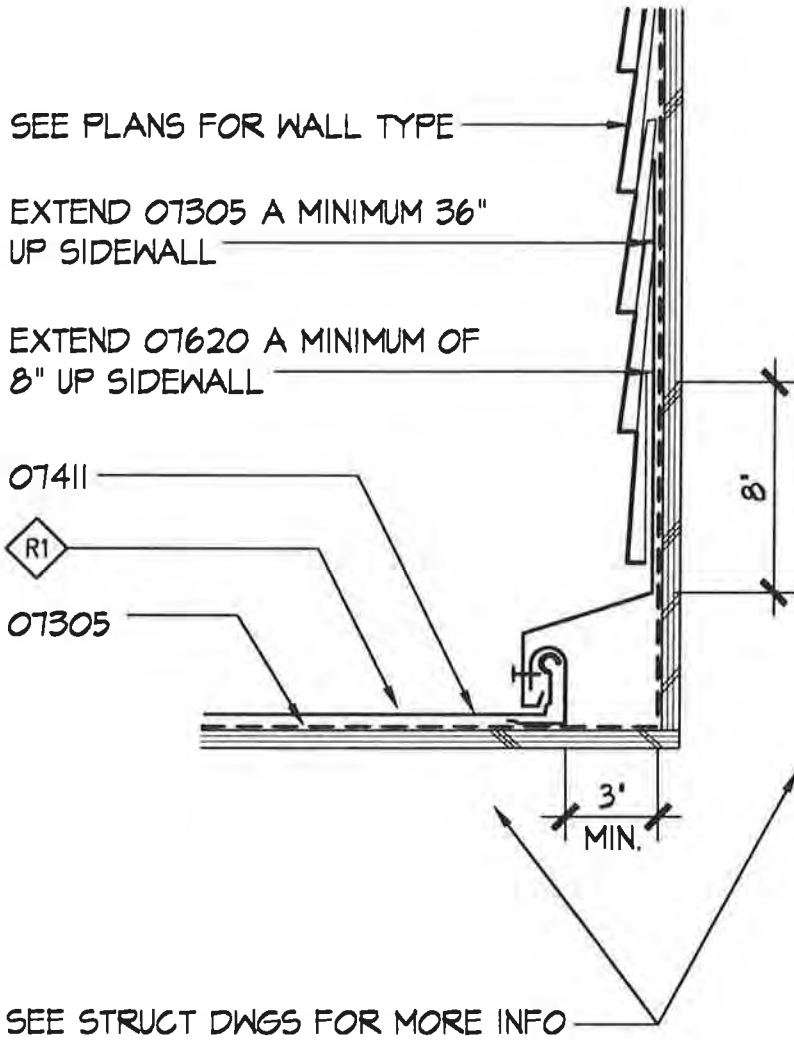
Unalaska Library

CROSS REF: DETAIL NUMBER:

B3-119

KEYNOTES

- 07411 METAL ROOFING SYSTEM
- 07305 SELF ADHESIVE UNDERLAYMENT
- 07620 SHEET METAL FLASHING
- 07305 SELF ADHESIVE UNDERLAYMENT



FAN ROOM SIDEWALL

SCALE: 1 1/2" = 1'-0"

PROJECT NO.: 714.10
DRAWN BY: JB
CHECKED BY:
DATE: APRIL 10, 1998

**LIVINGSTON
STONE**
ARCHITECTURE
ENGINEERING
PLANNING
INTERIOR DESIGN

Unalaska Library

CROSS REF: DETAIL NUMBER:

B3-120

KEYNOTES

- 06100-1 2x BLOCKING
- 06452 2x CEDAR
- 07305 UNDERLAYMENT
- 07620 FLASHING
- 07920-1 SEALANT TYPE I

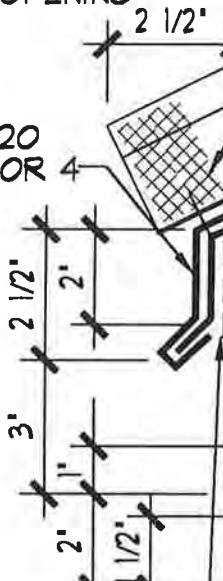
NOTE:
COORDINATE CONCEALED
FASTENER LOCATIONS TO MEET
THERMAL EXPANSION REQ'TS

07305

06100-3. EXTEND
TO EDGE OF 06452.

CLOSURE SET IN
CONT. 07920-1 AT
EA. OPENING

07620
COLOR 4



07305. CONT.
UNDER 07620

06452. COLOR 3.

06100-1. COLOR 3.

CONTINUOUS 14 GA
METAL SHEET FOR
ATTACHMENT OF FASCIA

R1
TYP.

R1
AT PAVILION
AND
WALKWAY

EXTEND FLASHING 18' BEYOND FACE OF PLYWD

CONT. ATTACHMENT
FOR METAL STUDS

LAP ROOF/ WALL
VAPOR RETARDER
A MINIMUM OF 1'-0".
TAPE EDGES

SEE PLANS FOR
WALL/PARTITION
TYPE.

TYPICAL ROOF EAVE FLASHING

SCALE: 3"=1'-0"

PROJECT NO.: 114.10
DRAWN BY: JB
CHECKED BY:
DATE: APRIL 10, 1998

LIVINGSTON
STONE
ARCHITECTURE
ENGINEERING
PLANNING
INTERIOR DESIGN

Unalaska Library

CROSS REF: DETAIL NUMBER:

B3-121

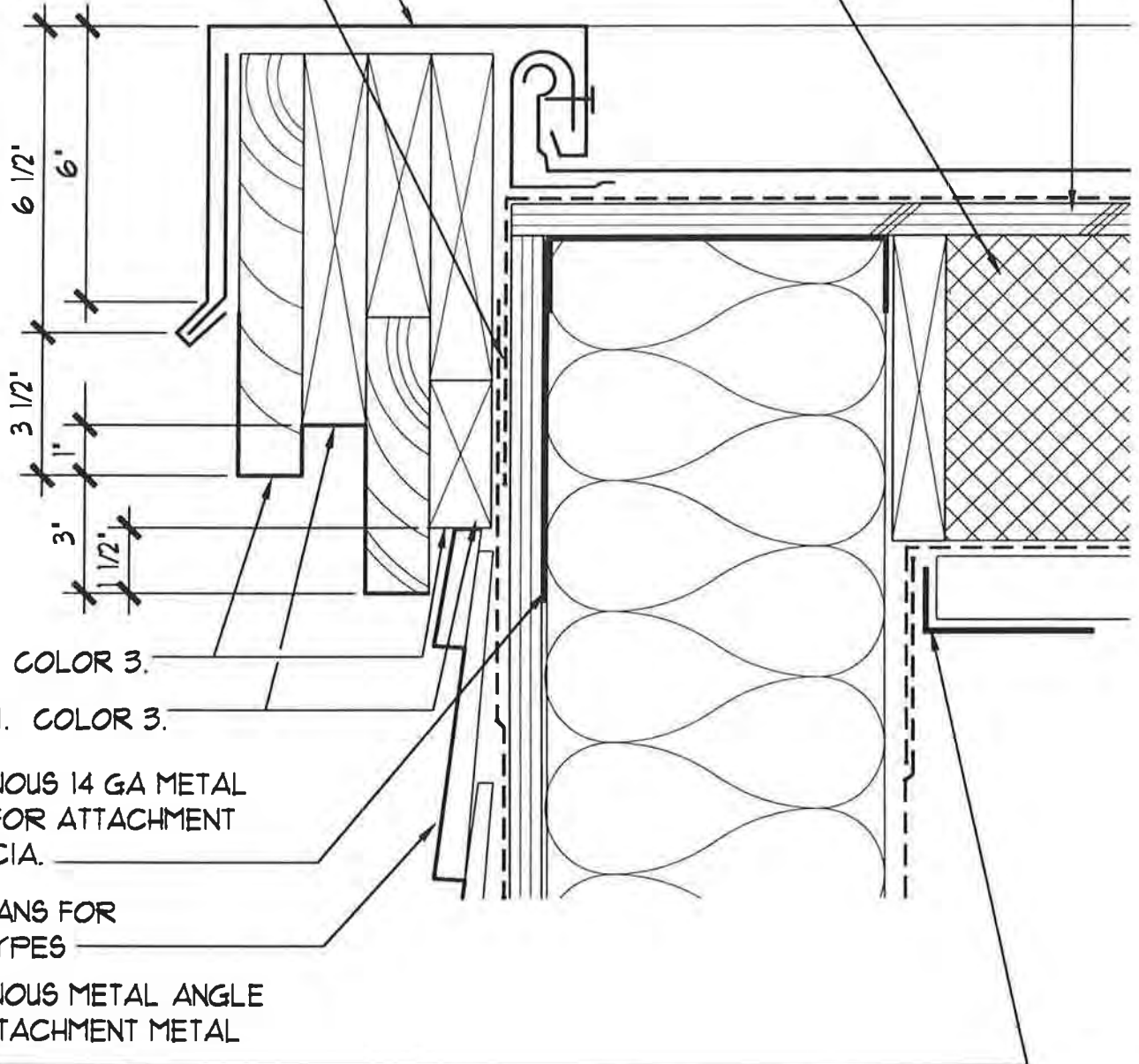
KEYNOTES

- 06100-1 2x BLOCKING
- 06452 2x CEDAR
- 07305 UNDERLAYMENT
- 07620 FLASHING

07425

07620. COLOR 4.

CONTINUE 07305 DOWN
BEHIND FASCIA



06452. COLOR 3.

06100-1. COLOR 3.

CONTINUOUS 14 GA METAL
SHEET FOR ATTACHMENT
OF FASCIA.

SEE PLANS FOR
WALL TYPES

CONTINUOUS METAL ANGLE
FOR ATTACHMENT METAL
STUDS

TYPICAL RAKE FLASHING

SCALE: 3' = 1'-0"

PROJECT NO.: 714.10
DRAWN BY: JB
CHECKED BY:
DATE: APRIL 10, 1998



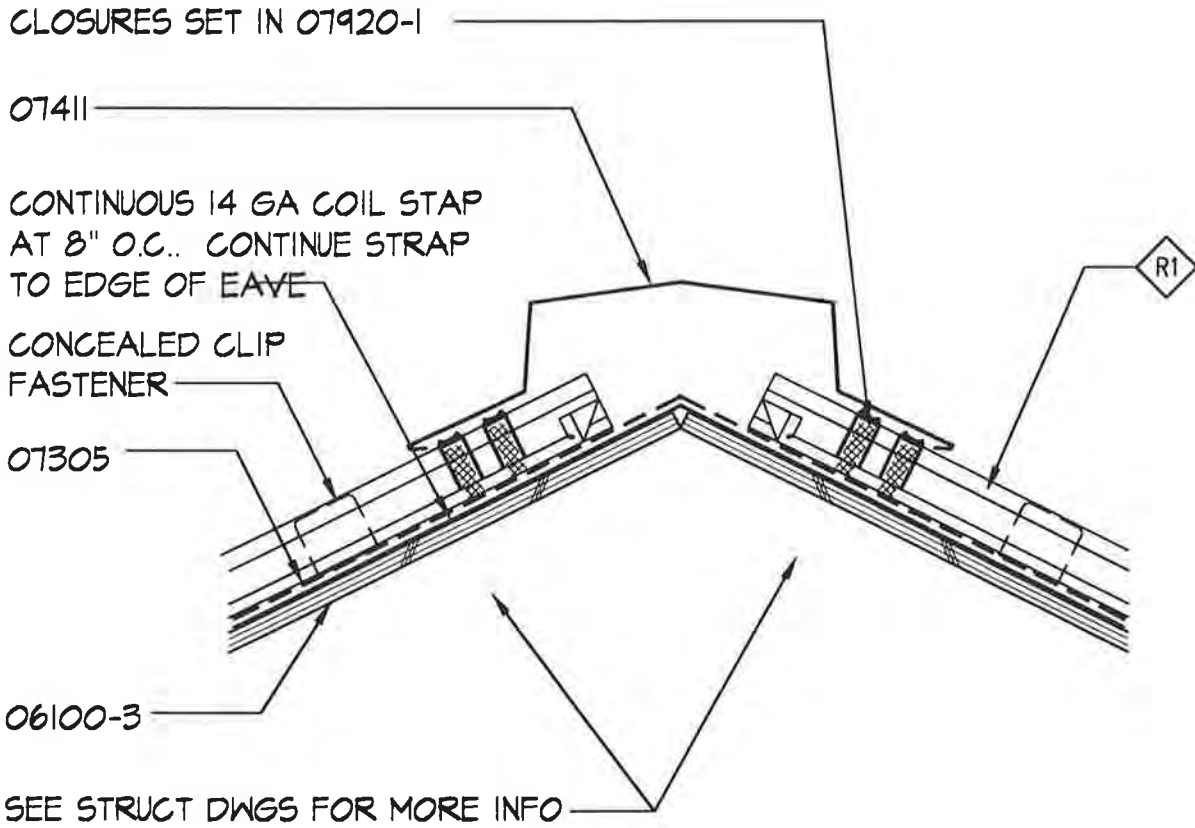
Unalaska Library

CROSS REF: DETAIL NUMBER:

B3-122

KEYNOTES

- 06100-3 3/4" PLYWOOD
- 07411 METAL ROOFING SYSTEM
- 07305 UNDERLAYMENT
- 07920-1 SEALANT TYPE I



TYPICAL ROOF RIDGE

SCALE: 1 1/2" = 1'-0"

PROJECT NO.: 714.10
DRAWN BY: JB
CHECKED BY:
DATE: APRIL 10, 1998

LIVINGSTON
STONE
ARCHITECTURE
ENGINEERING
PLANNING
INTERIOR DESIGN

Unalaska Library

CROSS REF: DETAIL NUMBER:

B3-123

KEYNOTES

- 05560 1/4" BENT PLATE ALUM. CHANNEL
- 06100-1 2x BLOCKING
- 06452 2x CEDAR
- 07190 VAPOR RETARDER
- 07195 AIR RETARDER
- 07212-1 BATT INSUL. TYPE I
- 07305 UNDERLAYMENT

GRID

NOTE:
CONTINUOUS 14 GA. COIL STRAPS AT
8" O.C.. CONTINUE STRAP TO EDGE
OF EAVE.

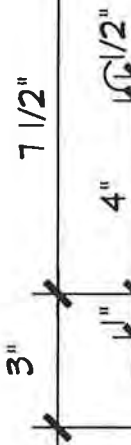
CONT. 14 GA. SHEET METAL
PLATE AT 05400.
SECURE GUTTER AND FASCIA
TO 14 GA. METAL PLATE

06100-3. EXTEND TO
EDGE OF 06100-1

CONTINUE 07305
BEHIND GUTTER

HOOK STRIP

07620



SLOPE GUTTER
1" / 40'-0" TO
OUTFALL

06100-1. COLOR 3.

06452. COLOR 3.

R1

ROOF EAVE AT GUTTER OUTFALL

SCALE: 3"=1'-0"

PROJECT NO.: 714.10
DRAWN BY: JB
CHECKED BY:
DATE: APRIL 10, 1998



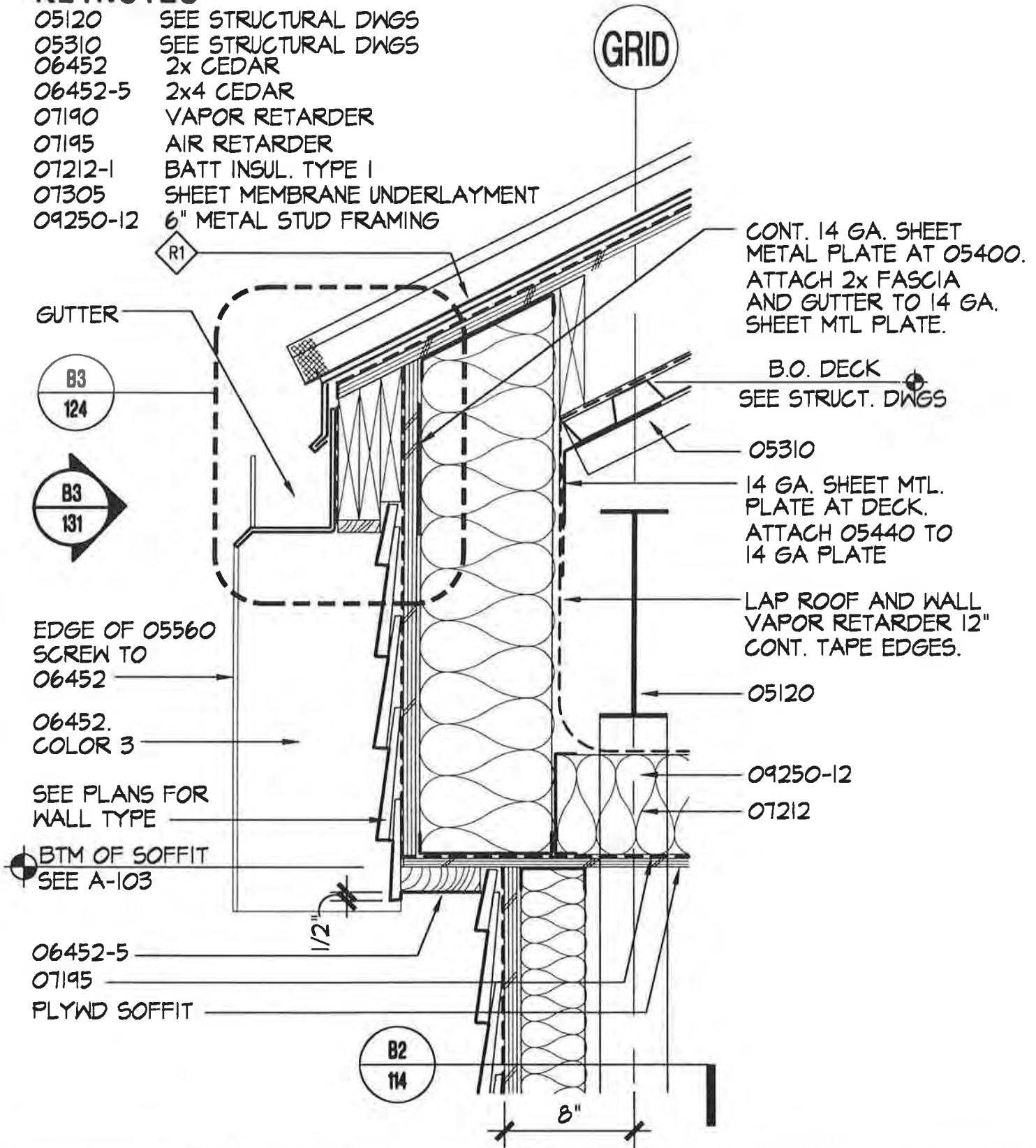
Unalaska Library

CROSS REF: DETAIL NUMBER:

B3-124

KEYNOTES

- 05120 SEE STRUCTURAL DWGS
- 05310 SEE STRUCTURAL DWGS
- 06452 2x CEDAR
- 06452-5 2x4 CEDAR
- 07190 VAPOR RETARDER
- 07195 AIR RETARDER
- 07212-1 BATT INSUL. TYPE I
- 07305 SHEET MEMBRANE UNDERLAYMENT
- 09250-12 6" METAL STUD FRAMING



ROOF EAVE AT GUTTER OUTFALL/COLUMN

SCALE: 1 1/2" = 1'-0"

PROJECT NO.: 714.10
 DRAWN BY: JB
 CHECKED BY:
 DATE: APRIL 10, 1998



Unalaska Library

CROSS REF: DETAIL NUMBER:

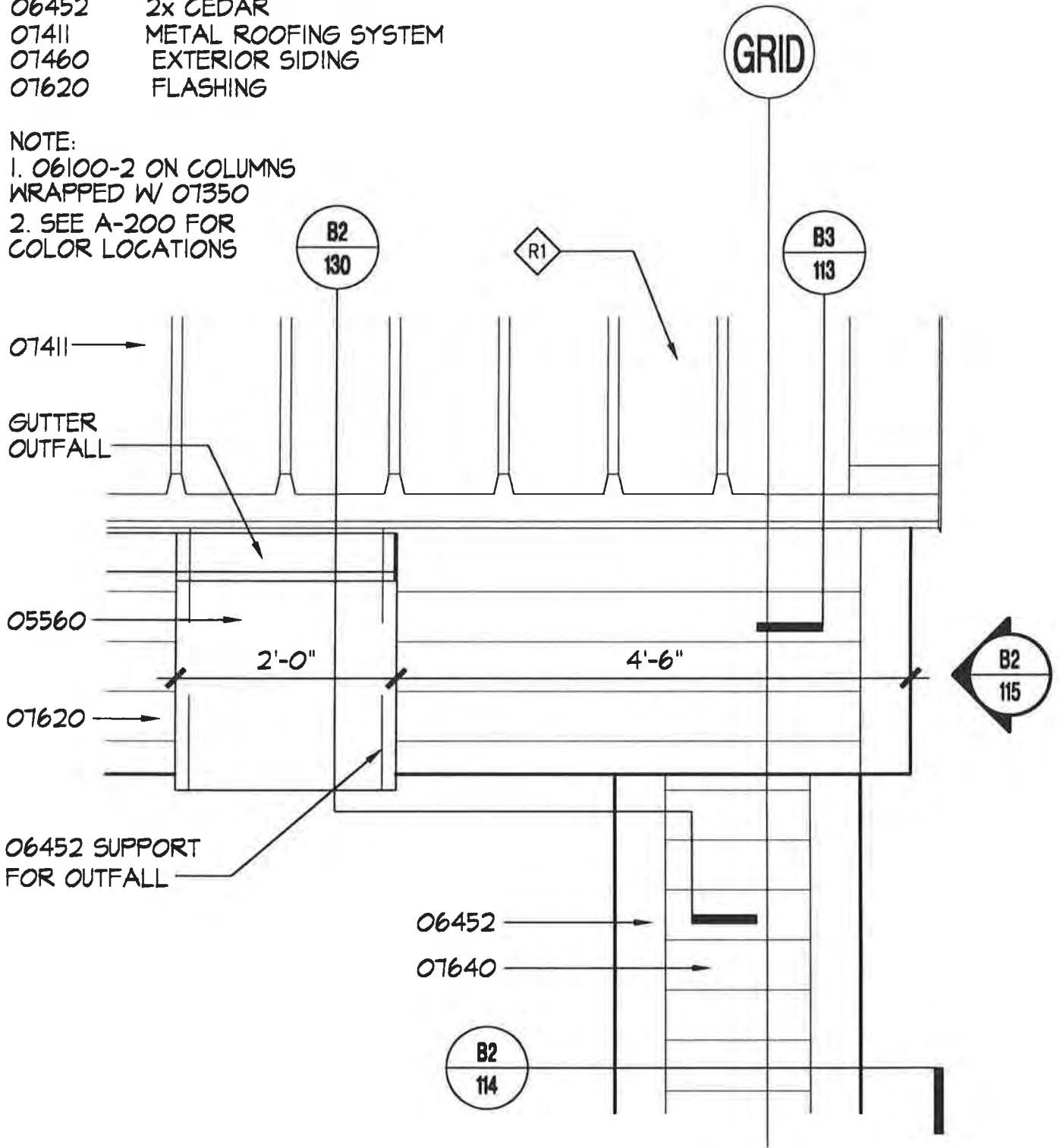
B3-130

KEYNOTES

- 05560 1/4" BENT ALUM. CHANNEL
- 06452 2x CEDAR
- 07411 METAL ROOFING SYSTEM
- 07460 EXTERIOR SIDING
- 07620 FLASHING

NOTE:

1. 06100-2 ON COLUMNS WRAPPED W/ 07350
2. SEE A-200 FOR COLOR LOCATIONS



ROOF EAVE AT GUTTER OUTFALL ELEVATION

SCALE: 3/4"=1'-0"

PROJECT NO.: T14.10
 DRAWN BY: JB
 CHECKED BY:
 DATE: APRIL 10, 1998



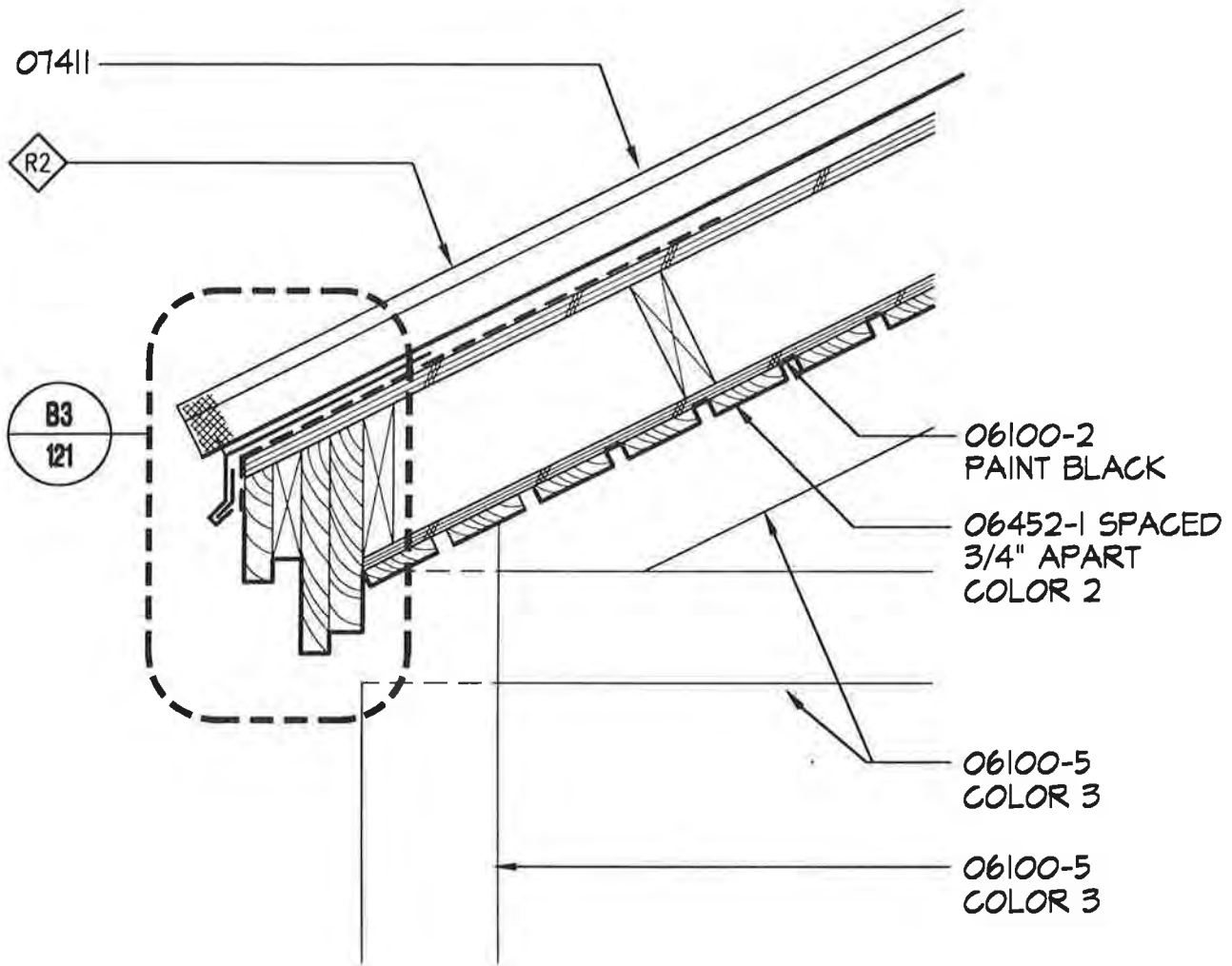
Unalaska Library

CROSS REF: DETAIL NUMBER:

B3-131

KEYNOTES

- 06100-1 2x6 AT 16" O.C.
- 06100-2 1/2" PLYWOOD
- 06100-5 SEE STRUCTURAL DWGS
- 07411 METAL ROOFING SYSTEM



NOTE:

1. SEE D3/A-103 FOR 06452-1 LAYOUT IN THE WALKWAY AND PAVILION
2. SEE A-200 FOR COLOR LOCATIONS.
3. SEE A-600 FOR COLOR SCHEDULE.

ROOF EAVE AT WALKWAY-ADDITIVE ALTERNATE 1

SCALE: 1 1/2" = 1'-0"

PROJECT NO.: 114.10
 DRAWN BY: JB
 CHECKED BY:
 DATE: APRIL 10, 1998



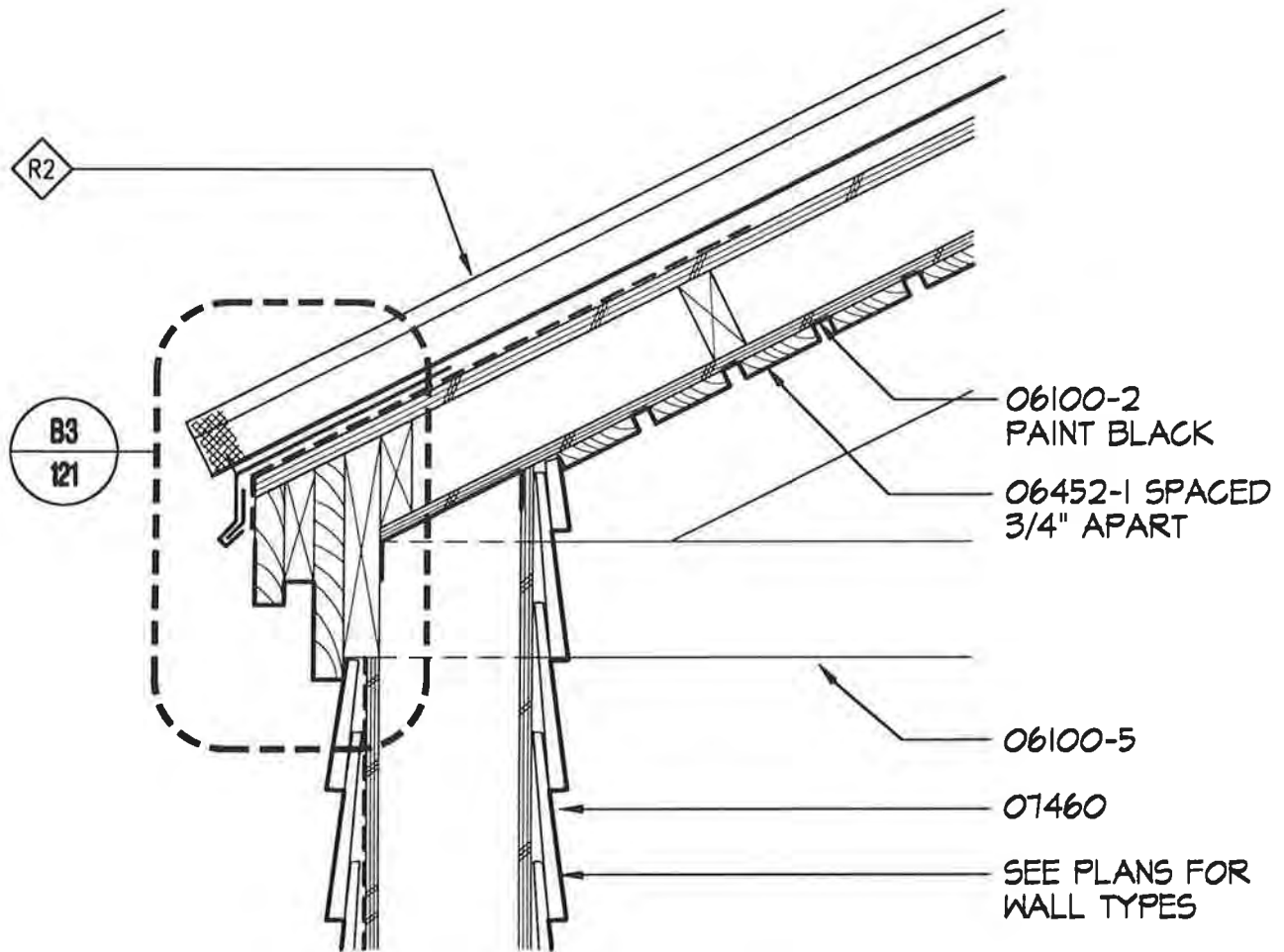
Unalaska Library

CROSS REF: DETAIL NUMBER:

B3-150

KEYNOTES

- 06100-1 2x4 AT 16" O.C.
- 06100-2 1/2" PLYWOOD
- 06100-5 SEE STRUCTURAL DWGS
- 07460 SIDING



NOTE:

1. SEE D3/A-103 FOR 06452-1 LAYOUT IN WALKWAY AND PAVILION.
2. SEE A-200 FOR 07460 COLOR LOCATIONS.

ROOF EAVE AT WALKWAY/PAVILION - ADD. ALT. 1

SCALE: 1/2" = 1'-0"

PROJECT NO.: 714.10
DRAWN BY: JB
CHECKED BY:
DATE: APRIL 10, 1998

LIVINGSTON
STONE
ARCHITECTURE
ENGINEERING
PLANNING
INTERIOR DESIGN

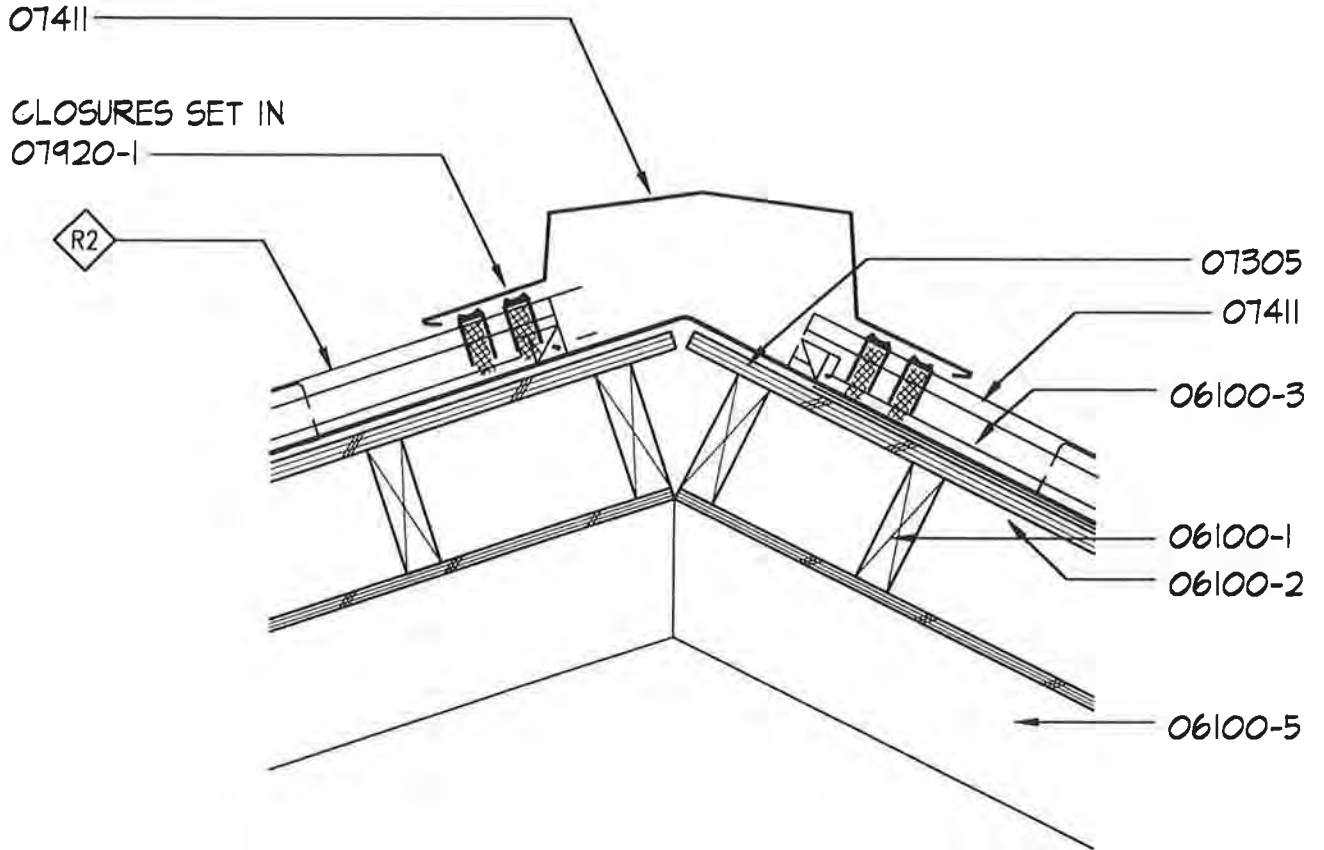
Unalaska Library

CROSS REF: DETAIL NUMBER:

B3-151

KEYNOTES

- 06100-1 2x6 AT 16" O.C.
- 06100-2 1/2" PLYWOOD
- 06100-3 3/4" PLYWOOD
- 06100-5 SEE STRUCTURAL DWGS
- 07305 UNDERLAYMENT
- 07411 METAL ROOFING SYSTEM
- 07920-1 SEALANT TYPE I



WALKWAY ROOF RIDGE - ADDITIVE ALTERNATE 1

SCALE: 1 1/2" = 1'-0"

PROJECT NO.: 714.10
 DRAWN BY: JB
 CHECKED BY:
 DATE: APRIL 10, 1998



Unalaska Library

CROSS REF: DETAIL NUMBER:

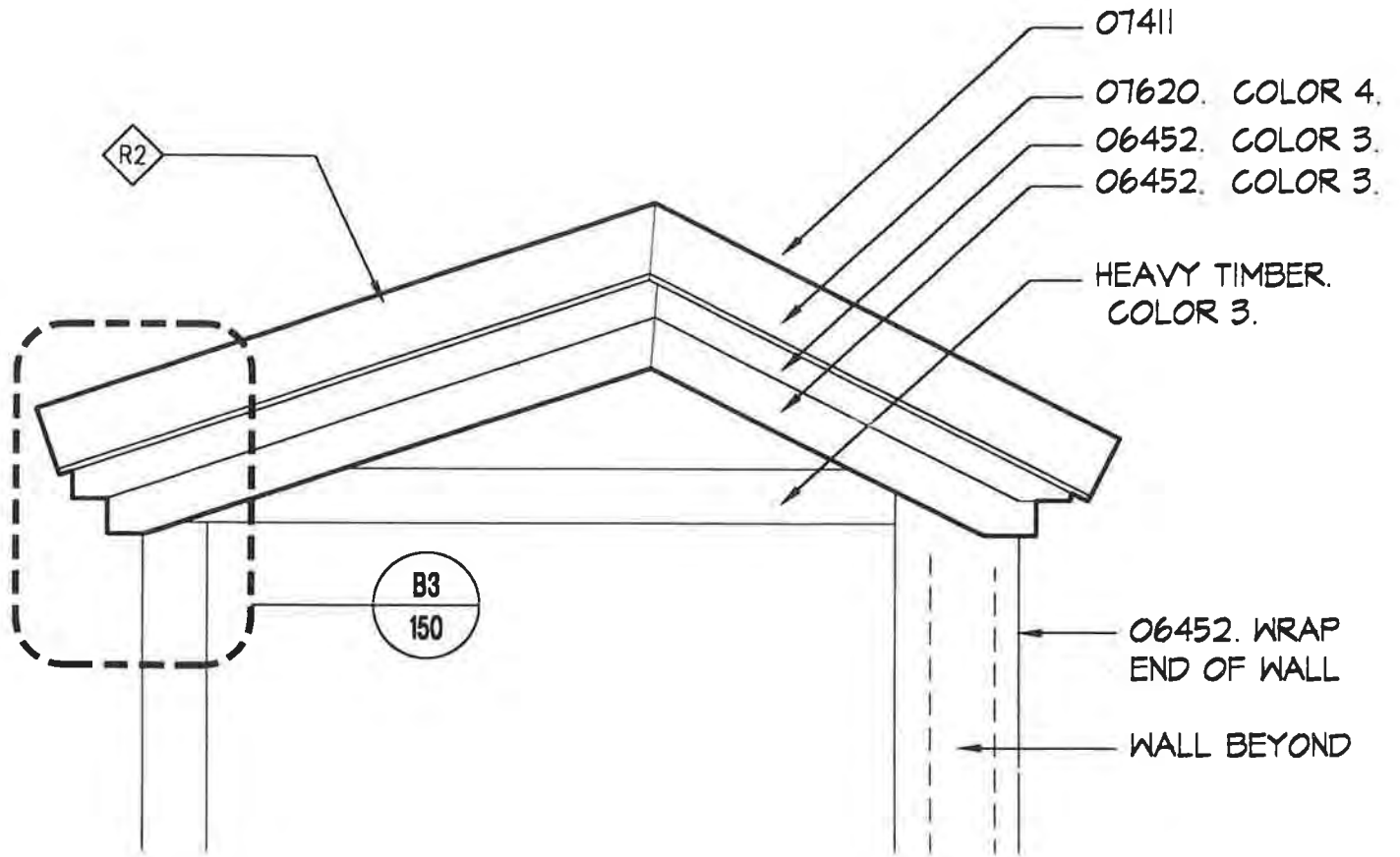
B3-153

KEYNOTES

- 06452 2x CEDAR
- 07411 METAL ROOFING SYSTEM
- 07620 FLASHING

NOTE:

1. SEE A-200 FOR COLOR LOCATIONS.
2. SEE A-600 FOR COLOR SCHEDULE.



WALKWAY ROOF RAKE (ADDITIVE ALTERNATE 1)

SCALE: 3/4"=1'-0"

PROJECT NO.: 714.10
DRAWN BY: JB
CHECKED BY:
DATE: APRIL 10, 1998



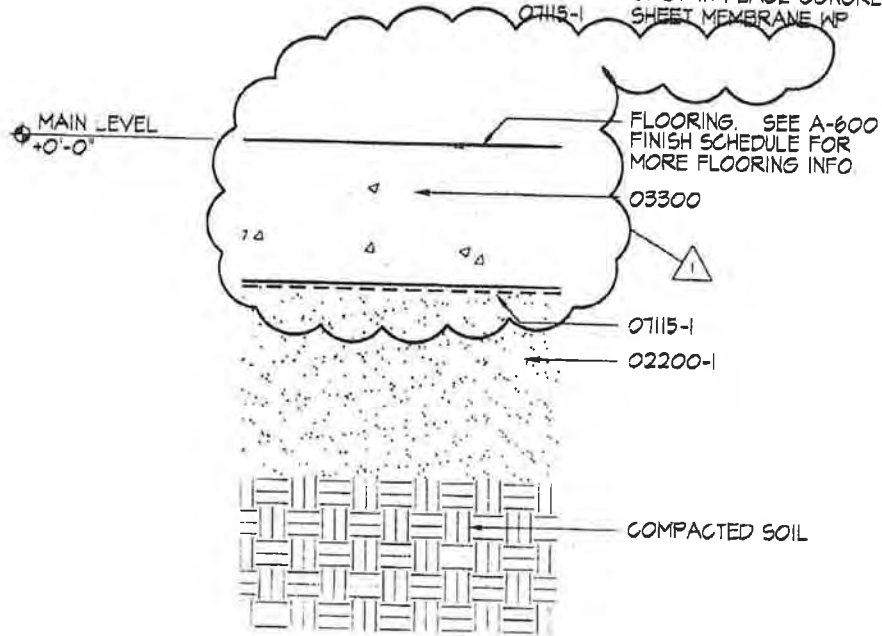
Unalaska Library

CROSS REF: DETAIL NUMBER:

B3-155

KEYNOTES

- 02200-1 6" SAND BED
- 03300 CAST-IN-PLACE CONCRETE
- 07115-1 SHEET MEMBRANE WP



△ REV. 1 8/28/98

AST-002

FLOOR TYPE F1

SCALE: 3"=1'-0"

PROJECT NO.: 71410
 DRAWN BY: JB
 CHECKED BY:
 DATE: APRIL 10, 1998



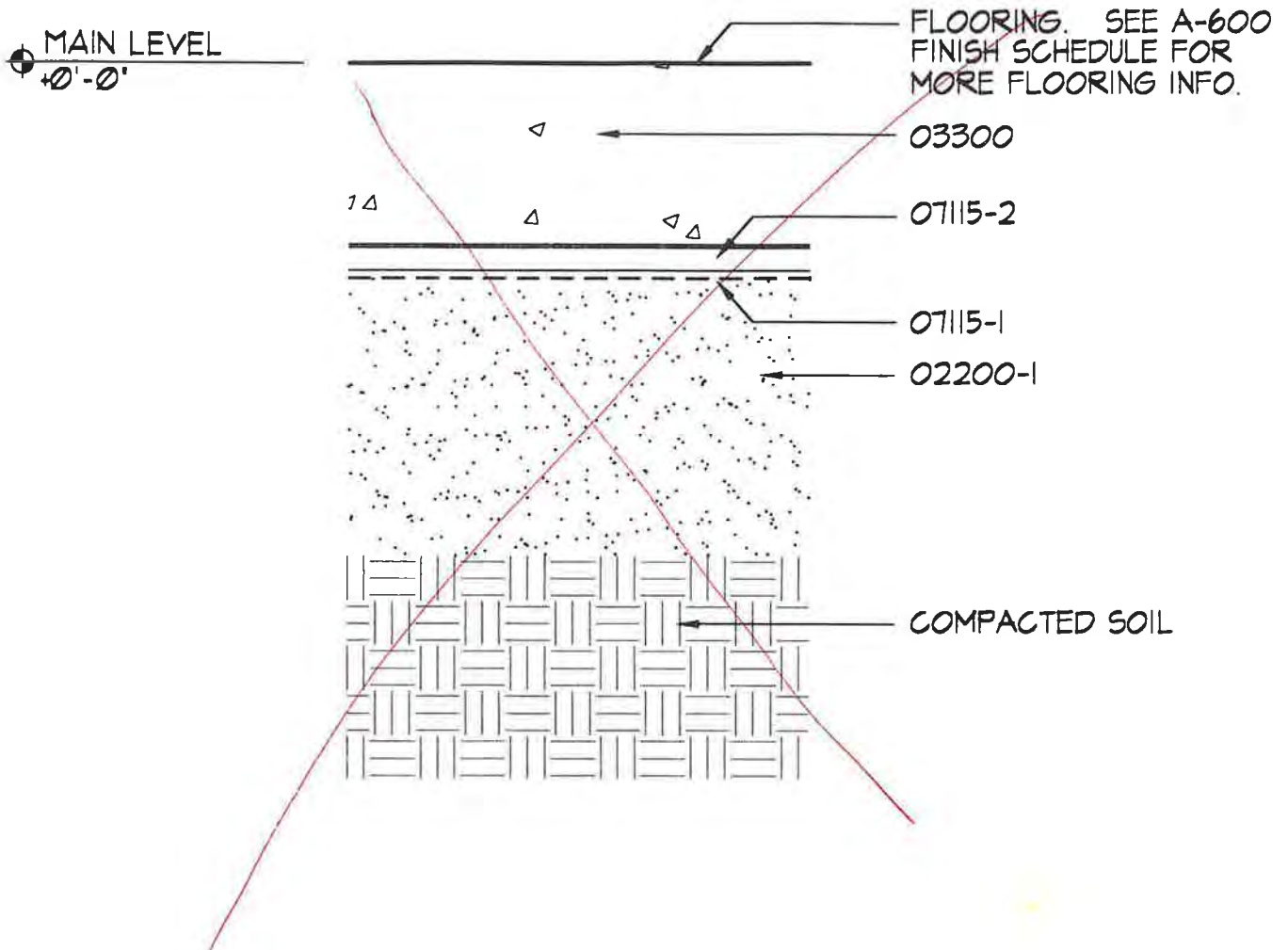
Unalaska Library

CROSS REF: DETAIL NUMBER:

C1-100

KEYNOTES

- 02200-1 6" SAND BED
- 03300 CAST-IN-PLACE CONCRETE
- 07115-1 SHEET MEMBRANE WP
- 07115-2 PROTECTION BOARD



FLOOR TYPE F1

SCALE: 3"=1'-0"

PROJECT NO.: 714.10
 DRAWN BY: JB
 CHECKED BY:
 DATE: APRIL 10, 1998



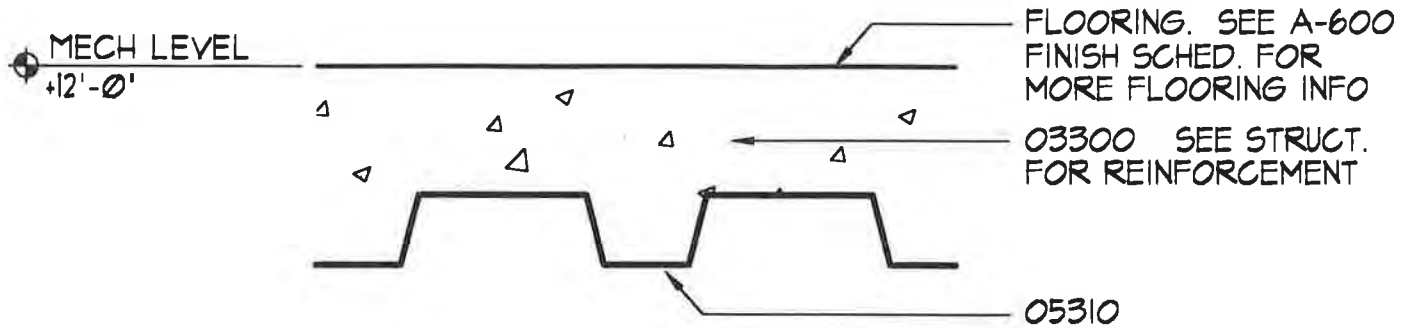
Unalaska Library

CROSS REF: DETAIL NUMBER:

C1-100

KEYNOTES

- 03300 CAST-IN-PLACE CONC
- 05310 METAL DECK. SEE STRUCT.



FLOOR TYPE F2

SCALE: 3"=1'-0"

PROJECT NO.: 714.10
DRAWN BY: JB
CHECKED BY:
DATE: APRIL 10, 1998

LIVINGSTON
STONE
ARCHITECTURE
ENGINEERING
PLANNING
INTERIOR DESIGN

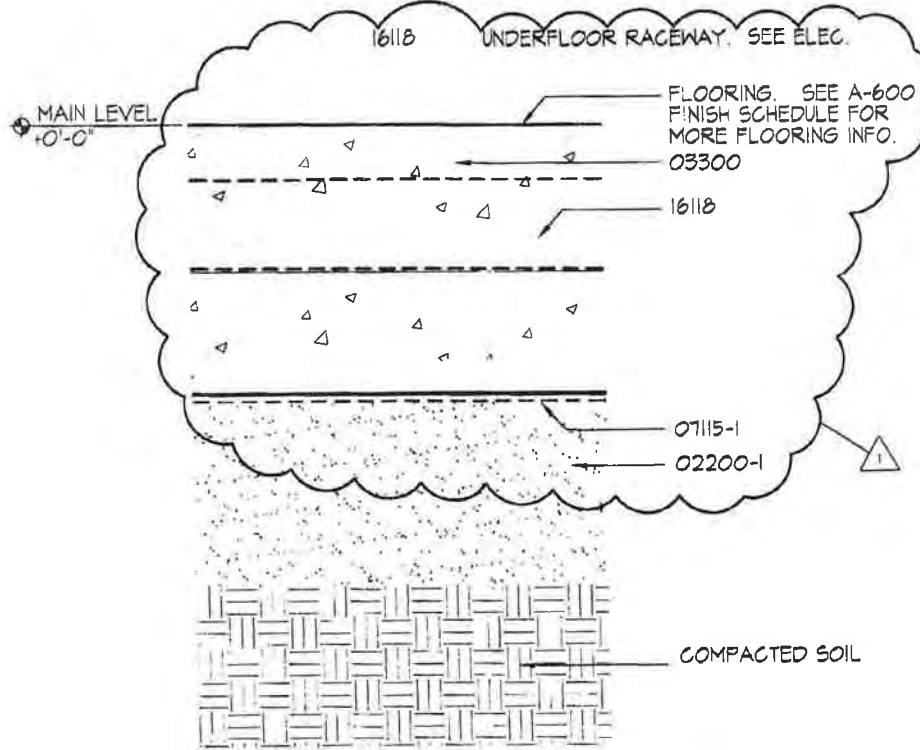
Unalaska Library

CROSS REF: DETAIL NUMBER:

C1-101

KEYNOTES

- 02200-1 6" SAND BED
- 03300 CAST-IN-PLACE CONCRETE. SEE STRUCT
- 05310 METAL DECK. SEE STRUCT.
- 07115-1 SHEET MEMBRANE WP



△ REV. 1 8/28/98

ASI-002

FLOOR TYPE F3
SCALE: 3"=1'-0"

PROJECT NO.: T14.10
DRAWN BY: JB
CHECKED BY:
DATE: APRIL 10, 1998



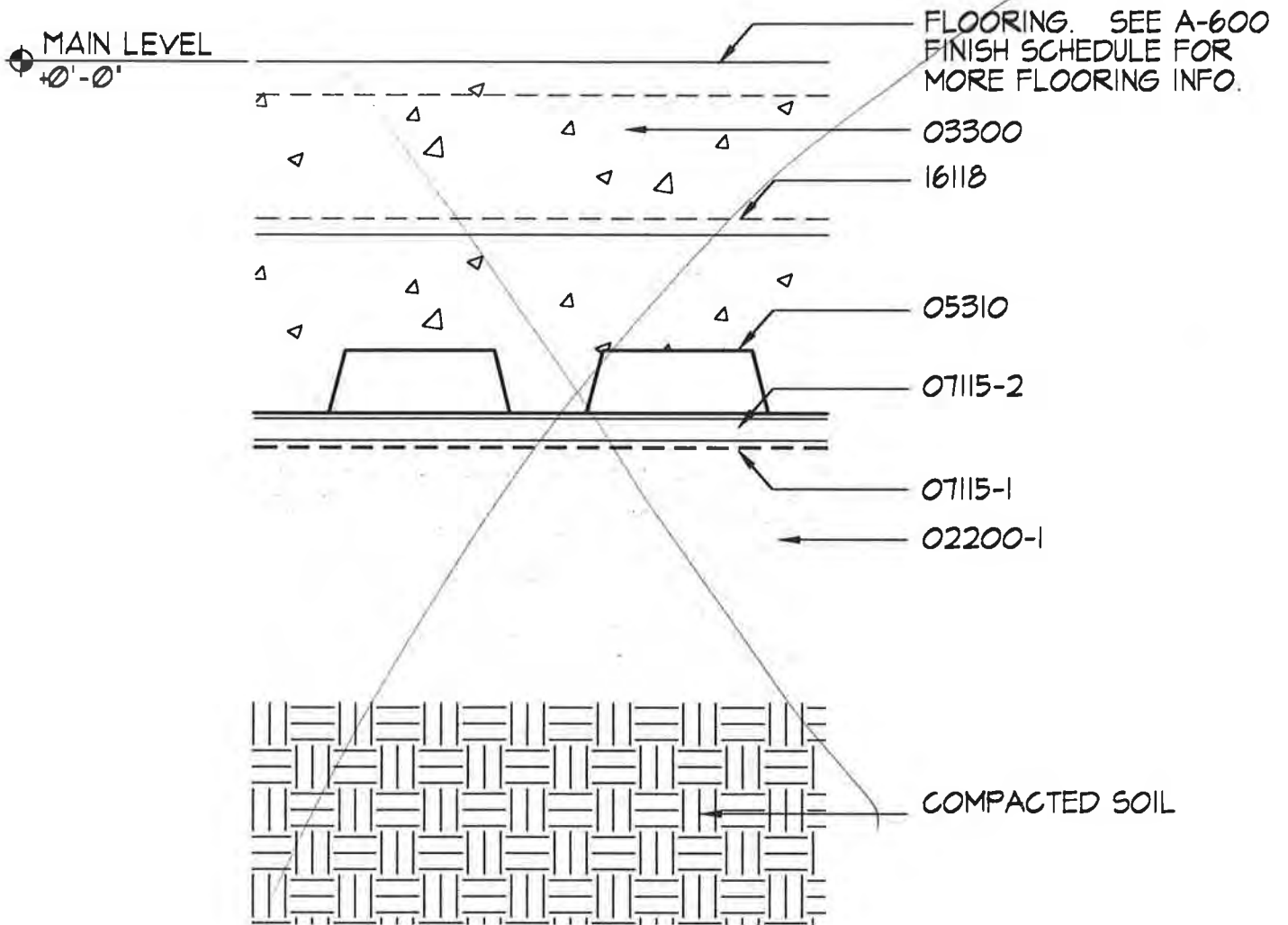
Unalaska Library

CROSS REF: DETAIL NUMBER:

C1-102

KEYNOTES

- 02200-1 6" SAND BED
- 03300 CAST-IN-PLACE CONCRETE. SEE STRUCT.
- 05310 METAL DECK. SEE STRUCT.
- 07115-1 SHEET MEMBRANE WP
- 07115-2 PROTECTION BOARD
- 16118 UNDERFLOOR RACEWAY. SEE ELEC.



FLOOR TYPE F3

SCALE: 3"=1'-0"

PROJECT NO.: 714.10
 DRAWN BY: JB
 CHECKED BY:
 DATE: APRIL 10, 1998



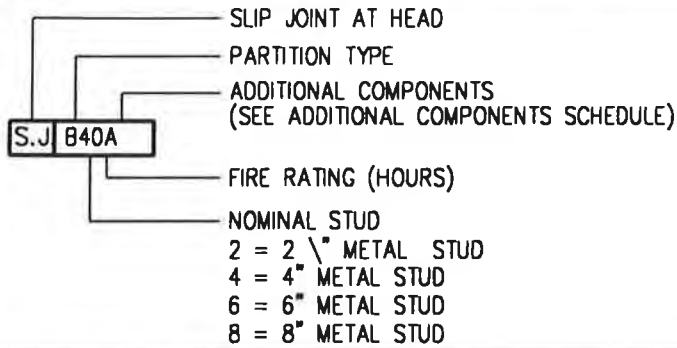
Unalaska Library

CROSS REF: DETAIL NUMBER:

C1-102

PARTITION SYMBOL KEY

(AS NOTED ON FLOOR PLANS)



ADDITIONAL COMPONENTS SCHEDULE

- A. NO ADDITIONAL COMPONENTS REQUIRED
- B. ADD ACOUSTICAL SEALANT AT HEAD AND BASE AND INSULATION TYPE 2.

GENERAL NOTES

1. PARTITION TYPE SYMBOLS AS SHOWN ON THE PLANS DENOTE THAT THE PARTITION TYPE INDICATED EXTENDS FROM PARTITION INTERSECTION TO PARTITION INTERSECTION PAST COLUMNS, DOORS, ETC.
2. NO OFFSET IN FACE OF PARTITIONS WILL BE PERMITTED BECAUSE OF SINGLE PLY/DOUBLE PLY GYPSUM WALLBOARD IN SAME PLANE. OFFSET STUDS OR PROVIDE ADDITIONAL GYPSUM WALLBOARD LAYERS TO ACHIEVE A CONT. SURFACE.
3. PROVIDE 09250-5 WEATHER-RESISTANT ABUSE-RESISTANT GWB IN PLACE OF GWB WHERE TILE IS SHOWN ON SHEET A600 ROOM FINISH SCHEDULE.
4. SEE ROOM FINISH SCHEDULE FOR MOISTURE RESISTENT BACKER BOARD LOCATIONS.
5. SEE ROOM FINISH SCHEDULE FOR CEILING TYPE.
6. SEE REFLECTED CEILING PLANS FOR CEILING HEIGHTS.
7. ALL STUD SPACING SHALL BE 16" O.C. U.N.O.
- ~~8. SEE DETAILS 12/AB.1.1 OR 13/AB.1.1 FOR SLIP JOINT INFO. DELETE PER DC/VR #7~~
9. INSTALL PUTTY PADS AROUND ELECTRICAL BOXES IN INSULATED WALL ASSEMBLIES.
- ~~10. SEE STRUCTURAL DRAWINGS FOR PARTITION BRACING. DC/VR #7 INSULATED WALL ASSEMBLIES.~~

PARTITION SYMBOL KEY

SCALE: NONE

PROJECT NO.: 714.10
DRAWN BY: JB
CHECKED BY:
DATE: APRIL 10, 1998



Unalaska Library

CROSS REF: DETAIL NUMBER:

C1-110

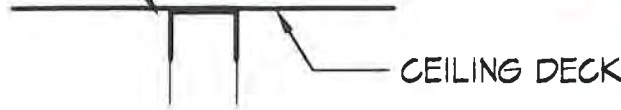
KEYNOTES

- 07212 BATT INSULATION
- 09250 METAL STUDS
- 09250-1 GYPSUM WALLBOARD

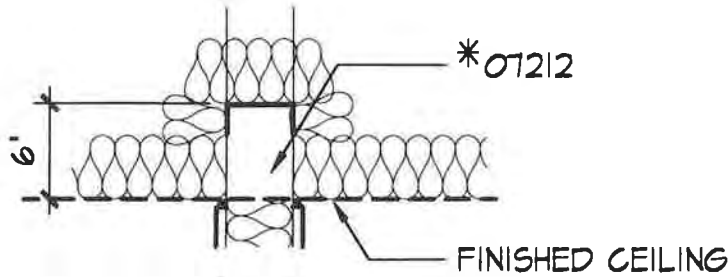
*DOOR # 8
SLIP JOINTS ARE NOT
REQUIRED*

SLIP JOINT WHERE
INDICATED ON PLANS

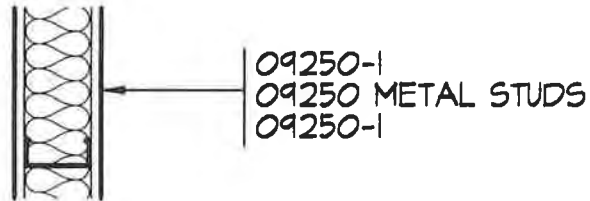
HEAD



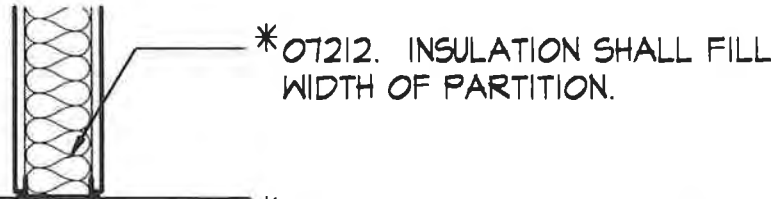
CEILING



PLAN



BASE



*07212. INSULATION SHALL FILL WIDTH OF PARTITION.
*DENOTES ADDITIONAL COMPONENTS. SEE C1-110 PARTITION SYMBOL KEY.

PARTITION TYPE A

SCALE: 1"=1'-0"

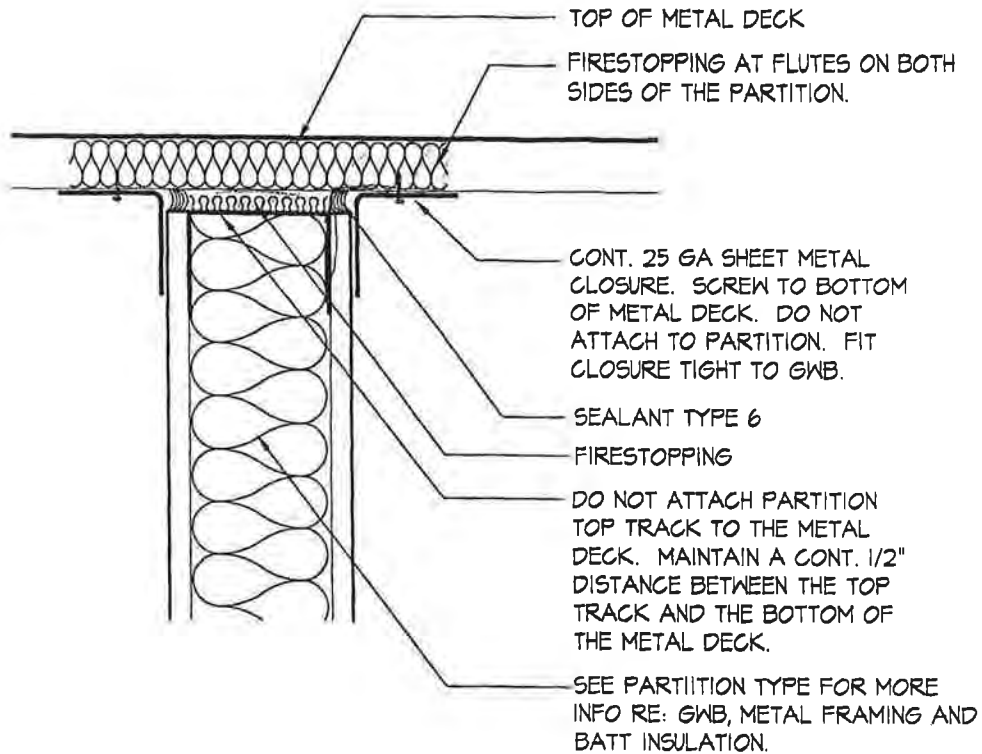
PROJECT NO.: 714.10
DRAWN BY: JB
CHECKED BY:
DATE: APRIL 10, 1998



Unalaska Library

CROSS REF: DETAIL NUMBER:

C1-111



DCVR 48

PARTITION TYPE B HEAD DETAIL

SCALE: 3"=1'-0"

PROJECT NO.: 714.11
 DRAWN BY: JB
 CHECKED BY:
 DATE: DEC. 16, 1998



Unalaska Library

CROSS REF: DETAIL NUMBER:

AS-033

Sheet metal closures indicated on detail C1-112 shall be a minimum of 1 1/2" x 1 1/2", 25 ga. Ripping a 25 ga metal stud track would be an acceptable sheet metal closure. Secure sheet metal closures with self-tapping screws. Attach the horizontal leg of the closure to the metal deck. Predrill where concrete flooring is above metal deck. The vertical leg of the closure shall be tight to the gypsum wallboard but not attached. This allows the partition to move vertically. Do not attach the top track of the partition to the metal deck. Leave a 1/2" space between the bottom of the metal deck and the top track. Where sheet metal closures run perpendicular to the metal deck flutes, fill the void between the closure and metal deck with firestopping. Batt insulation is acceptable for non-rated partitions. See attached sketch AS-033 for more information.

JOB NO. 9810

KEYNOTES

- 07212 BATT INSULATION
- 07270 FIRESTOPPING
- 07920-6 SEALANT TYPE 6
- 09250-1 GYPSUM WALLBOARD
- 09250 METAL STUDS

Not Required - DO NOT

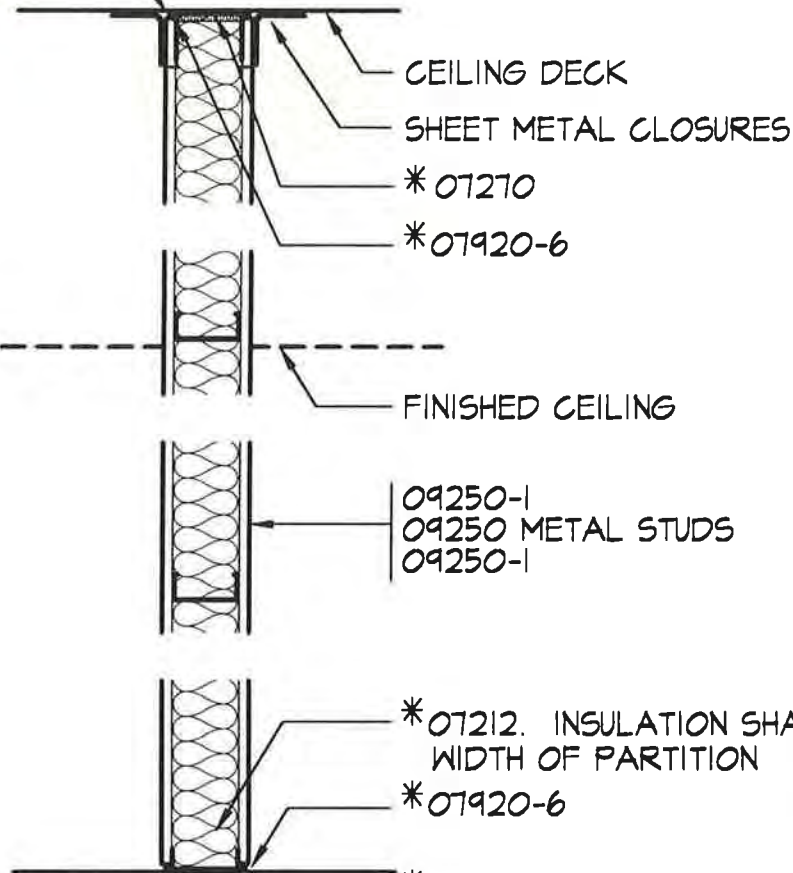
~~SLIP JOINT WHERE INDICATED ON PLANS~~

HEAD

CEILING

PLAN

BASE



* DENOTES ADDITIONAL COMPONENTS. SEE C1-110 PARTITION SYMBOL KEY.

PARTITION TYPE B

SCALE: 1"=1'-0"

PROJECT NO.: 714.10
 DRAWN BY: JB
 CHECKED BY:
 DATE: APRIL 10, 1998



Unalaska Library

CROSS REF: DETAIL NUMBER:

C1-112

KEYNOTES

- 07212 BATT INSULATION
- 09250 METAL STUDS
- 09250-1 GYPSUM WALLBOARD

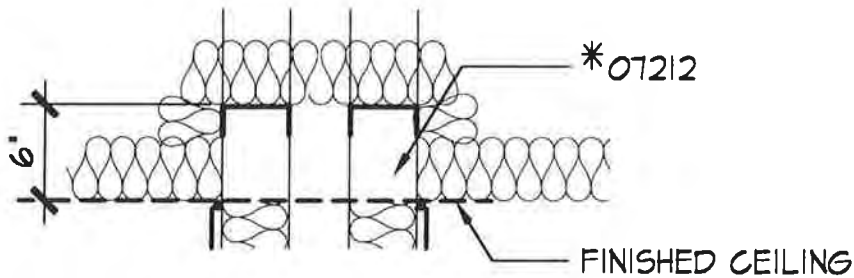
Not required - DCVR #7
~~SLIP JOINT WHERE INDICATED ON PLANS~~

HEAD



CEILING DECK

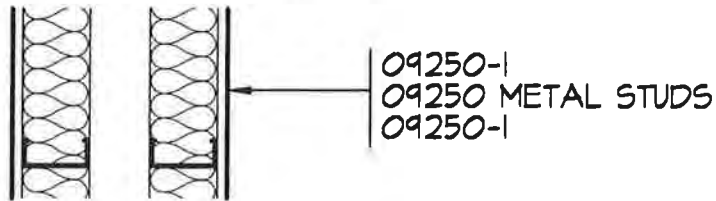
CEILING



*07212

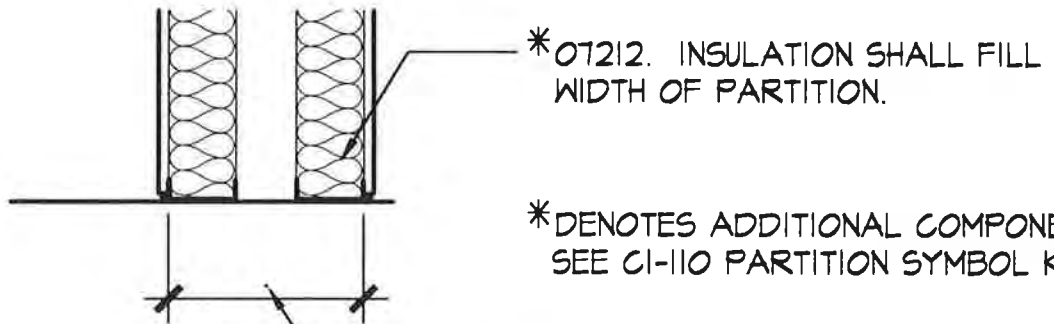
FINISHED CEILING

PLAN



09250-1
09250 METAL STUDS
09250-1

BASE



*07212. INSULATION SHALL FILL WIDTH OF PARTITION.

*DENOTES ADDITIONAL COMPONENTS. SEE C1-110 PARTITION SYMBOL KEY.

SEE PLANS FOR PARTITION WIDTH

PARTITION TYPE C

SCALE: 1"=1'-0"

PROJECT NO.: 714.10
 DRAWN BY: JB
 CHECKED BY:
 DATE: APRIL 10, 1998



Unalaska Library

CROSS REF: DETAIL NUMBER:

C1-113

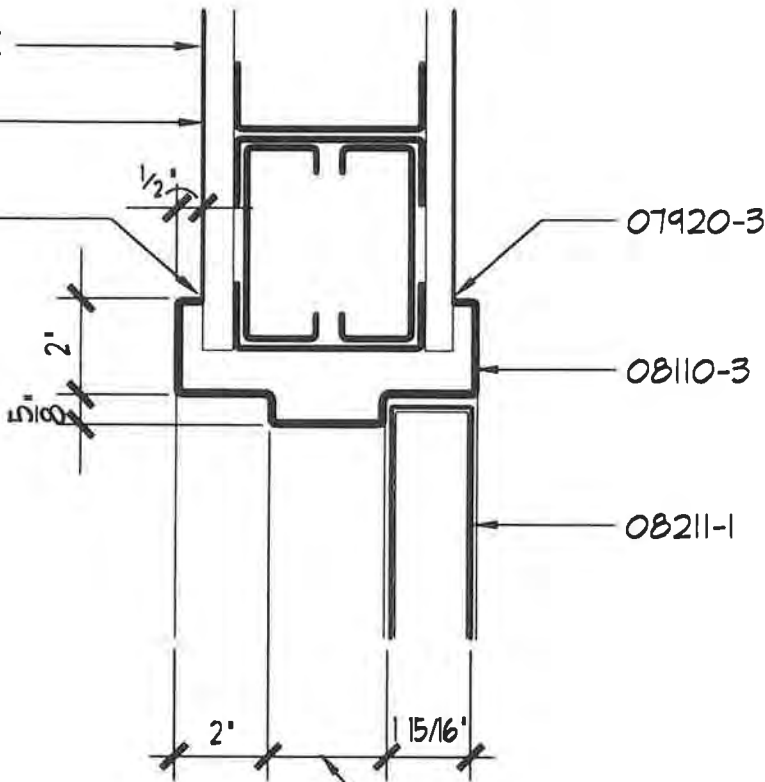
KEYNOTES

- 07920-3 SEALANT TYPE 3
- 08110-3 INTERIOR DOOR FRAME
- 08211-1 INTERIOR DOOR
- 09250-1 GWB

SEE PLANS FOR PARTITION TYPE

09250-1

07920-3



VARIABLES WITH PARTITION TYPE

NOTE:
SEE A-600 FOR MORE DOOR INFO

Response/Remarks:

The door opening sizes for doors 100A, 100B and 115A are 3'-0" x 6'-8" hollow metal cased openings without doors. Refer to DOOR REMARKS, item 1 on sheet A-600. Refer to the Door Schedule for finish and detail information. Please note that door opening 115A is a straight cased opening similar to doors 100A and 100B and not a rabbeted frame as indicated in details C1-200 and C1-201.

DEVR 26

By: *Dan Smith*

Date: 9.22.98

TYPICAL INTERIOR DOOR HEAD

SCALE: 3"=1'-0"

PROJECT NO.: 714.10
DRAWN BY: JB
CHECKED BY:
DATE: APRIL 10, 1998



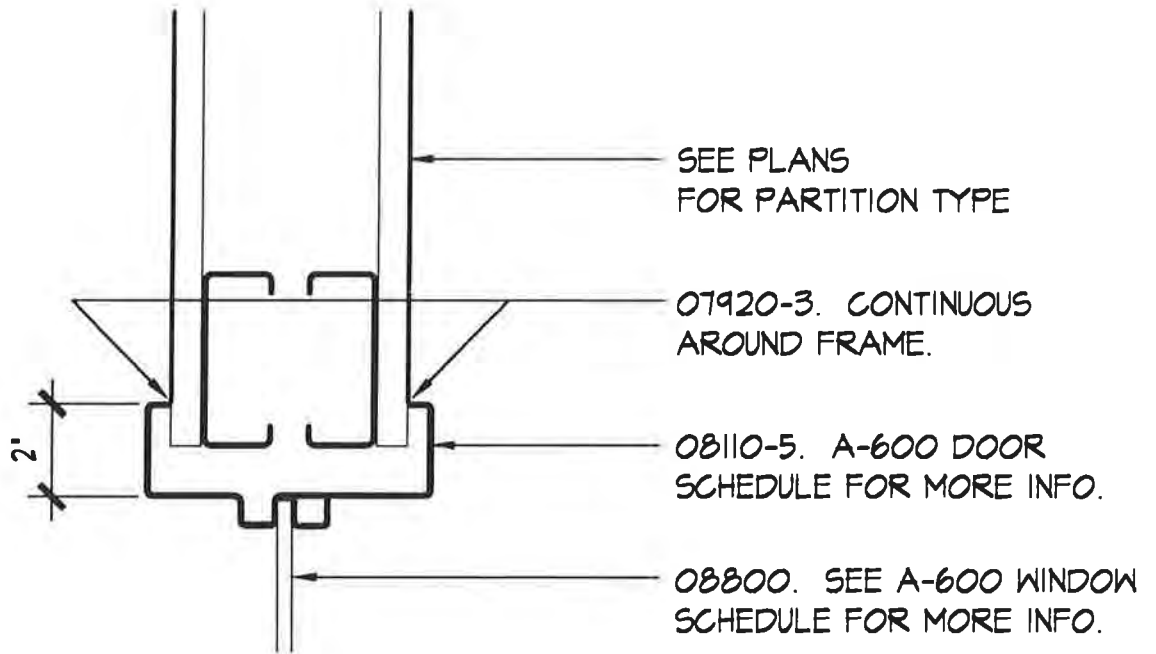
Unalaska Library

CROSS REF: DETAIL NUMBER:

C1-200

KEYNOTES

07920-3 SEALANT TYPE 3
08110-5 INTERIOR WINDOW
08800 GLAZING



TYPICAL INTERIOR WINDOW HEAD (JAMB SIM.)

SCALE: 3"=1'-0"

PROJECT NO.: 714.10
DRAWN BY: JB
CHECKED BY:
DATE: APRIL 10, 1998

**LIVINGSTON
STONE**
ARCHITECTURE
ENGINEERING
PLANNING
INTERIOR DESIGN

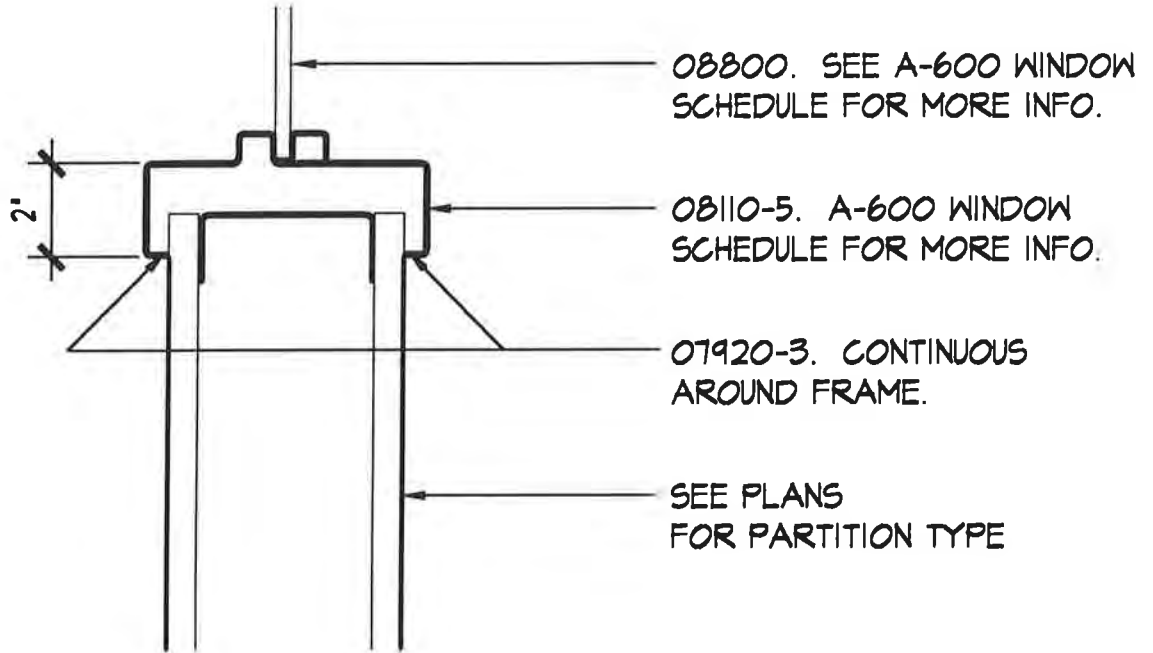
Unalaska Library

CROSS REF: DETAIL NUMBER:

C1-202

KEYNOTES

07920-3 SEALANT TYPE 3
08110-5 INTERIOR WINDOW
08800 GLAZING



TYPICAL INTERIOR WINDOW SILL

SCALE: 3"=1'-0"

PROJECT NO.: 714.10
DRAWN BY: JB
CHECKED BY:
DATE: APRIL 10, 1998

LIVINGSTON
STONE ARCHITECTURE
ENGINEERING
PLANNING
INTERIOR DESIGN

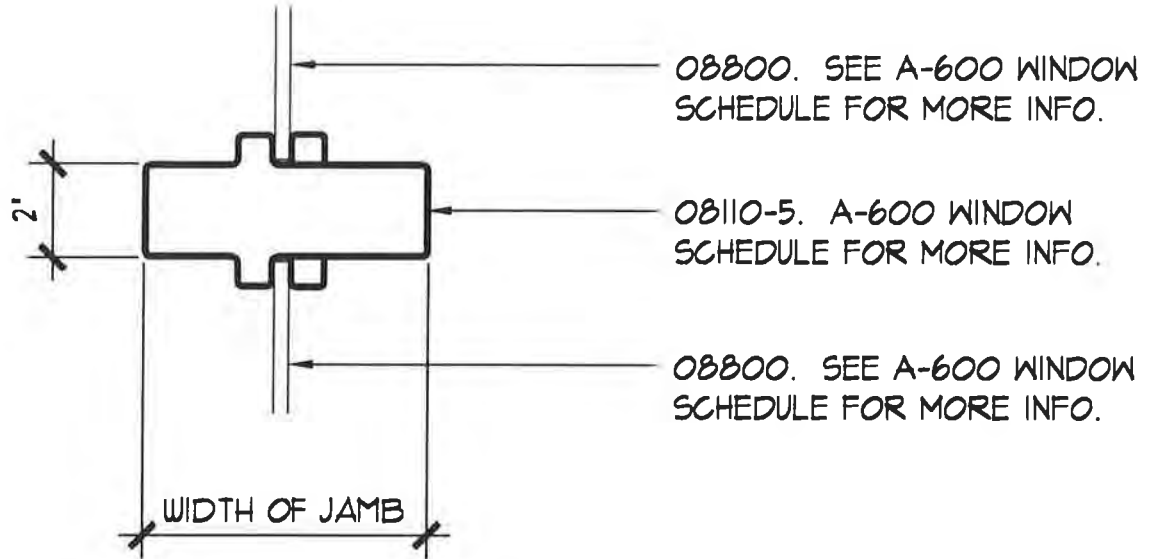
Unalaska Library

CROSS REF: DETAIL NUMBER:

C1-203

KEYNOTES

08110-5 INTERIOR WINDOW
08800 GLAZING



TYPICAL INTERIOR WINDOW MULLION

SCALE: 3"=1'-0"

PROJECT NO.: 714.10
DRAWN BY: JB
CHECKED BY:
DATE: APRIL 10, 1998

LIVINGSTON
STONE
ARCHITECTURE
ENGINEERING
PLANNING
INTERIOR DESIGN

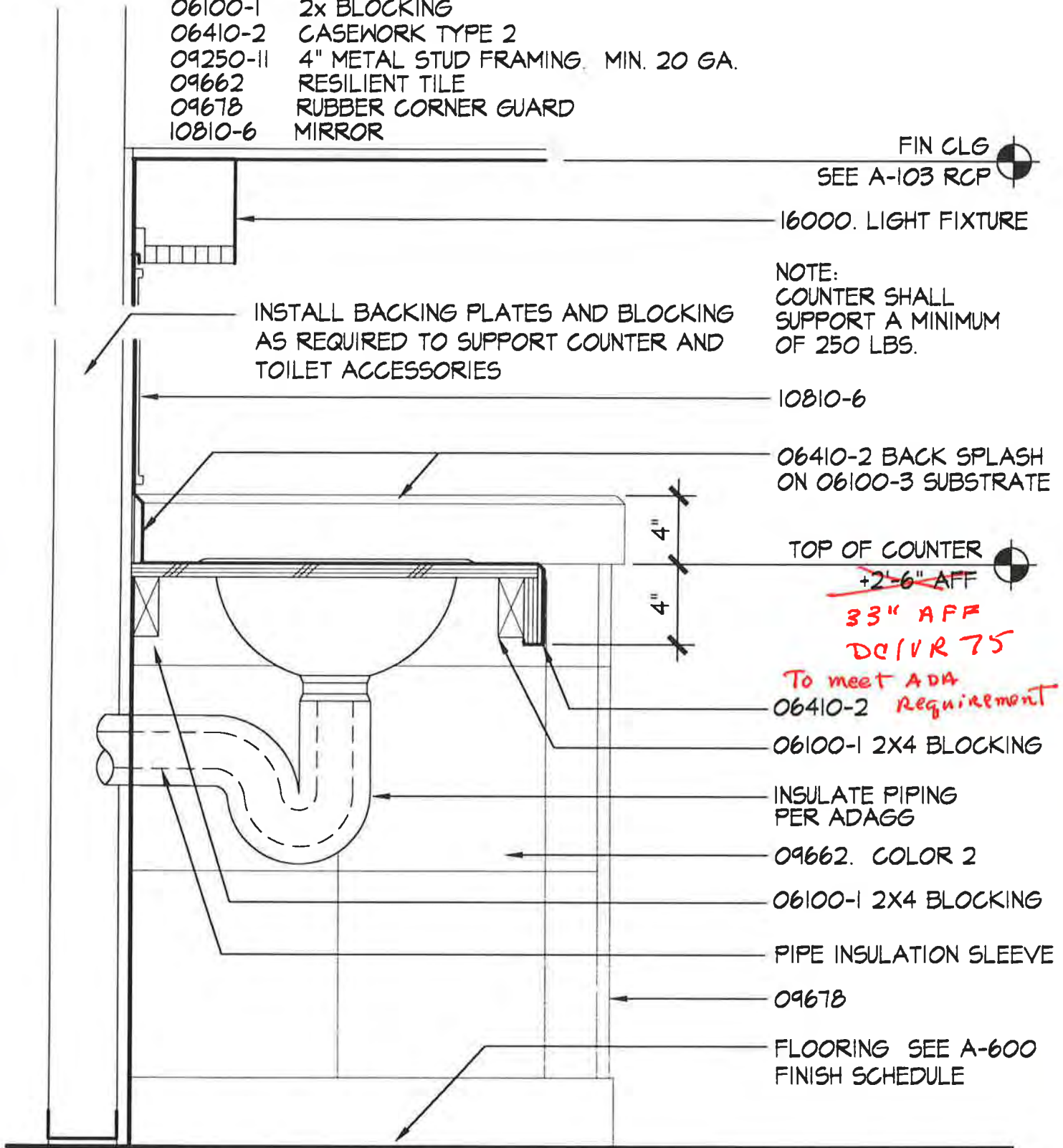
Unalaska Library

CROSS REF: DETAIL NUMBER:

C1-204

KEYNOTES

- 06100-1 2x BLOCKING
- 06410-2 CASEWORK TYPE 2
- 09250-11 4" METAL STUD FRAMING MIN. 20 GA.
- 09662 RESILIENT TILE
- 09678 RUBBER CORNER GUARD
- 10810-6 MIRROR



FIN CLG
SEE A-103 RCP

16000. LIGHT FIXTURE

NOTE:
COUNTER SHALL
SUPPORT A MINIMUM
OF 250 LBS.

INSTALL BACKING PLATES AND BLOCKING
AS REQUIRED TO SUPPORT COUNTER AND
TOILET ACCESSORIES

10810-6

06410-2 BACK SPLASH
ON 06100-3 SUBSTRATE

TOP OF COUNTER
~~+2'-6" AFF~~

33" AFF
DC1VR 75

To meet ADA
Requirement

06100-1 2X4 BLOCKING

INSULATE PIPING
PER ADAGG

09662. COLOR 2

06100-1 2X4 BLOCKING

PIPE INSULATION SLEEVE

09678

FLOORING SEE A-600
FINISH SCHEDULE

MEN'S 115/WOMEN'S 116 COUNTER SECTION

SCALE: 1 1/2" = 1'-0"

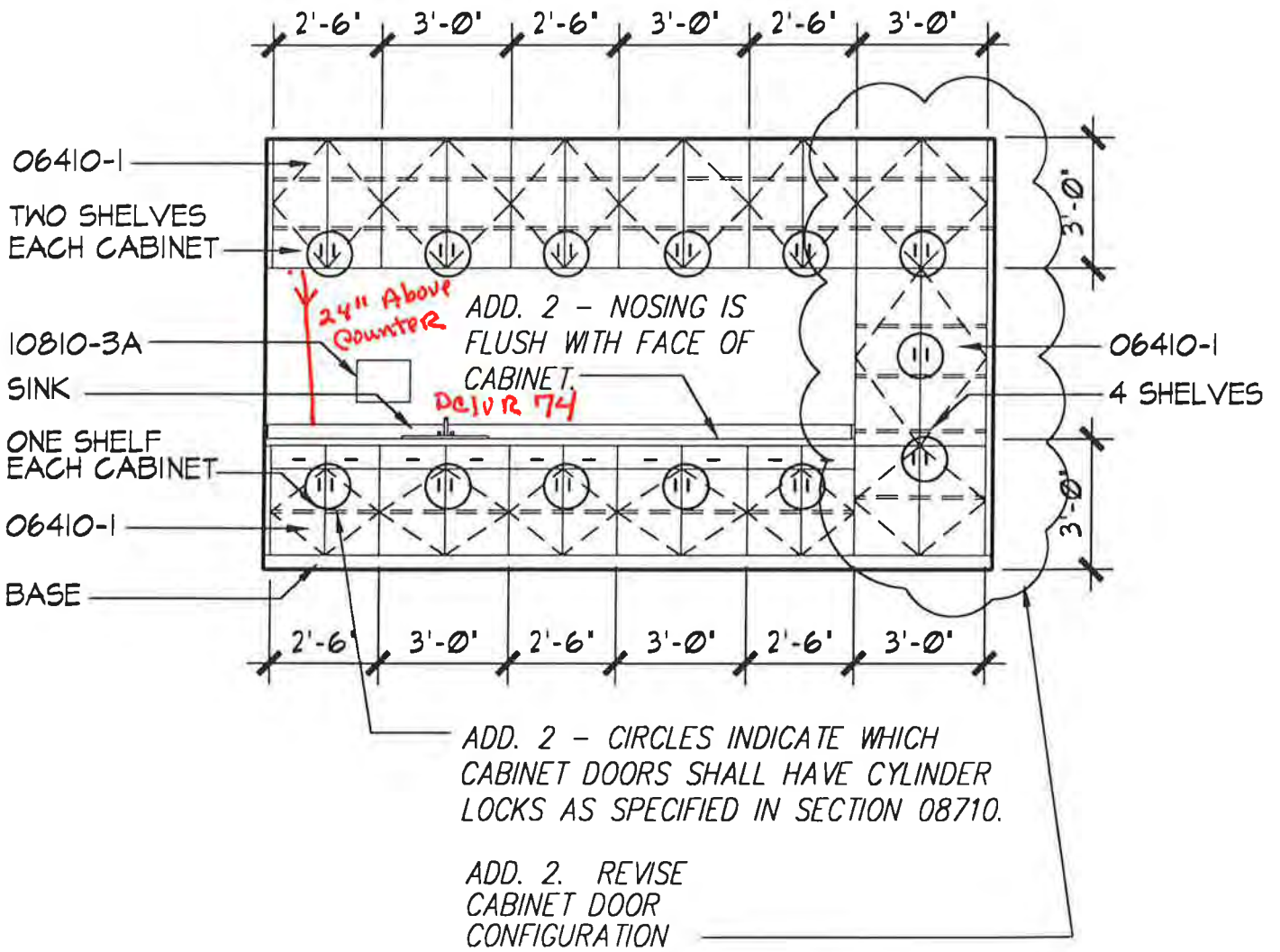
PROJECT NO.: 714.10
DRAWN BY: JB
CHECKED BY:
DATE: APRIL 10, 1998



Unalaska Library

CROSS REF: DETAIL NUMBER:

C1-300



REV. C1-302 - INTERIOR ELEVATION - MTG RM 107

SCALE: NONE

PROJECT NO.: 714.10
DRAWN BY: JB
CHECKED BY: JB
DATE: MAY 20, 1998

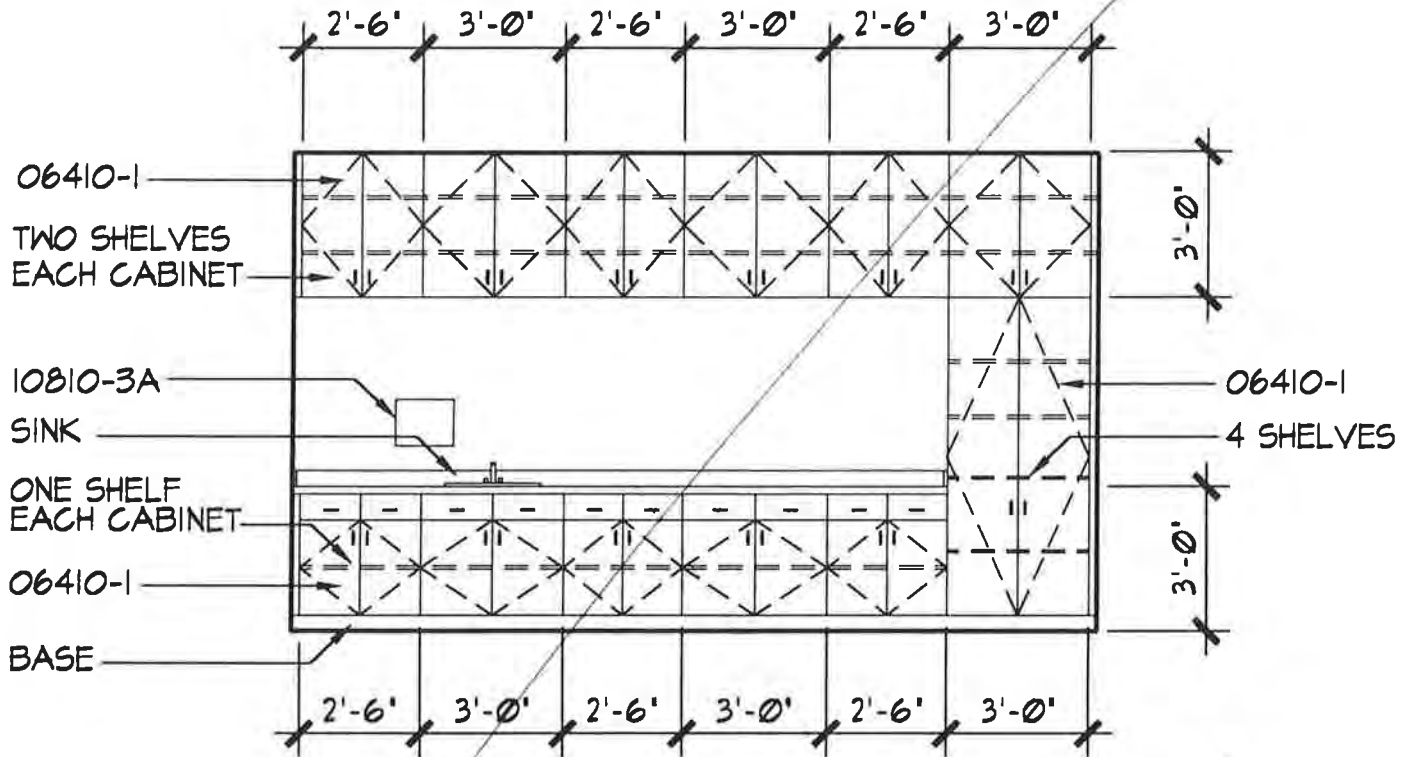


Unalaska Library

SKETCH NUMBER:
AS-01
ADDENDUM NUMBER:
ADD. 2

KEYNOTES

- 06410-1 CASEWORK TYPE I
- 10810-3A PAPER TOWEL DISPENSER-SURFACE MOUNTED



INTERIOR ELEVATION - MEETING ROOM 107

SCALE: 1/4"=1'-0"

PROJECT NO.: 714.10
 DRAWN BY: JB
 CHECKED BY:
 DATE: APRIL 10, 1998



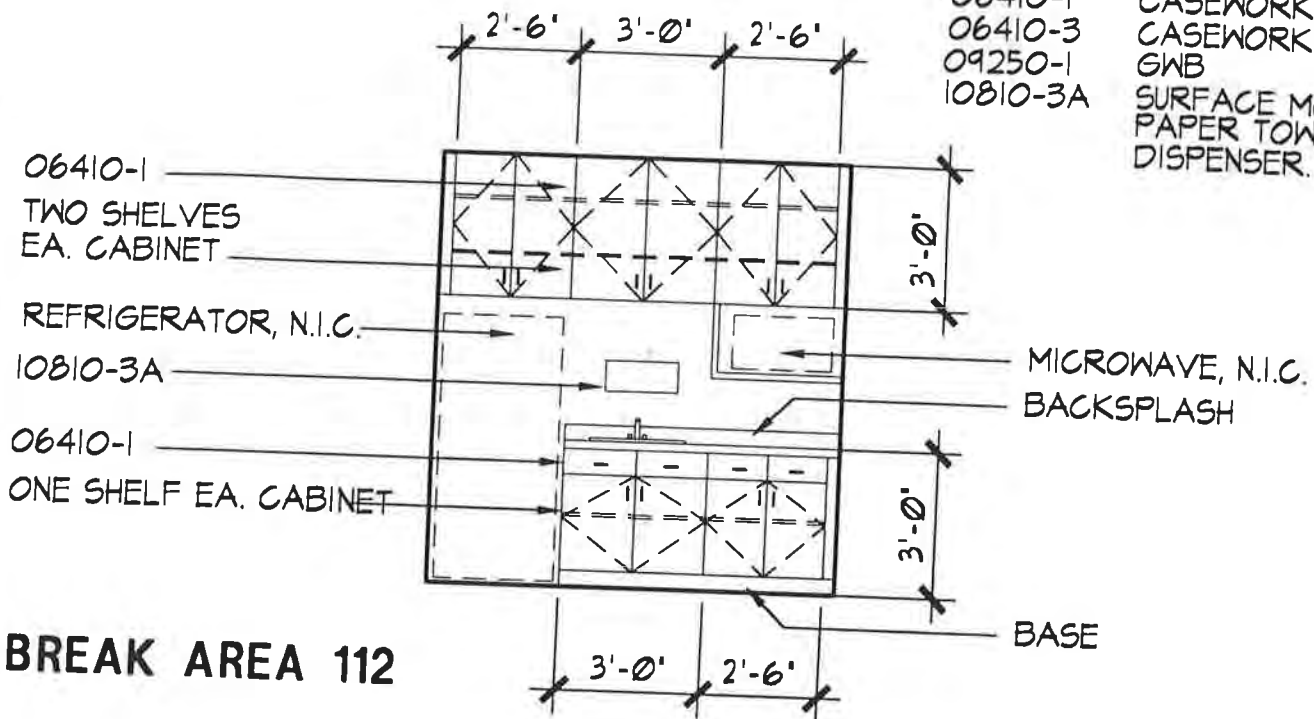
Unalaska Library

CROSS REF: DETAIL NUMBER:

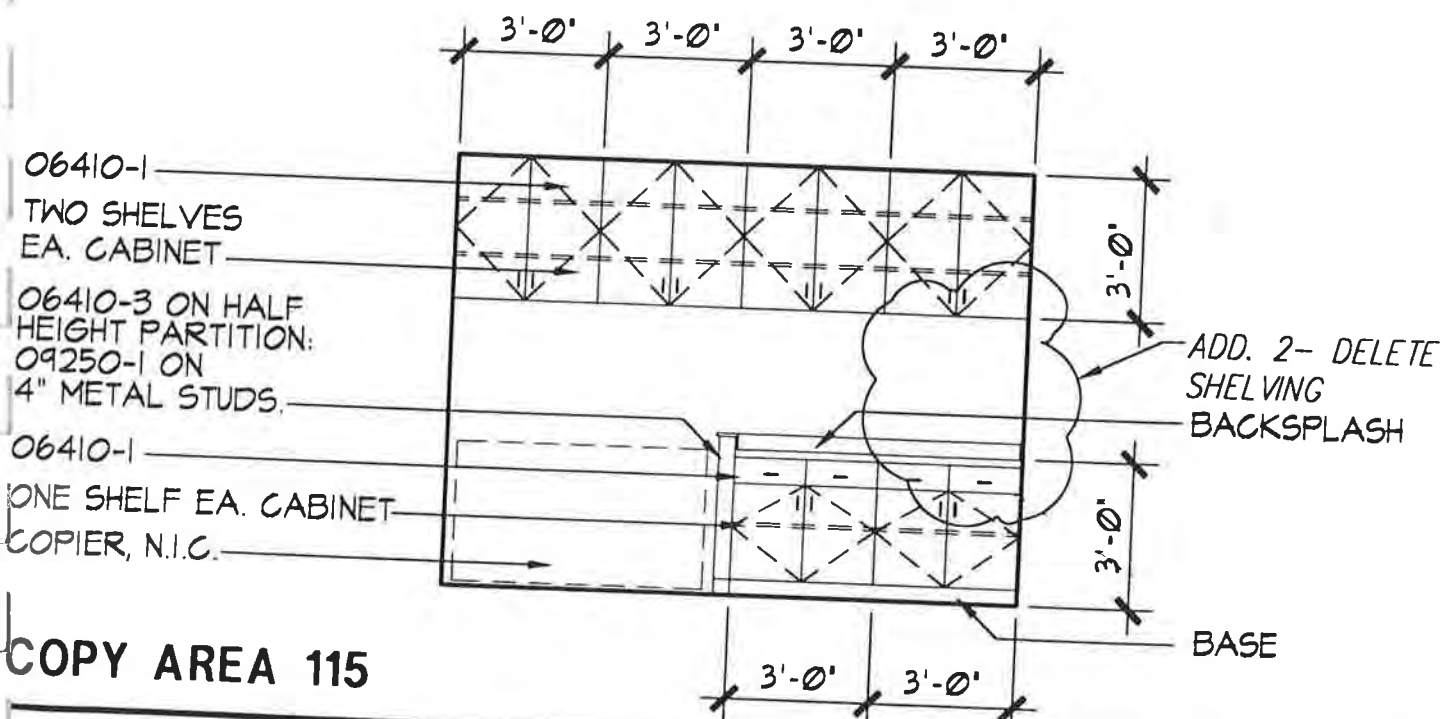
C1-302

KEYNOTES

- 06410-1 CASEWORK TYPE 1
- 06410-3 CASEWORK TYPE 3
- 09250-1 GWB
- 10810-3A SURFACE MOUNTED PAPER TOWEL DISPENSER.



BREAK AREA 112



COPY AREA 115

EV. C1-304 - BREAK AREA 112/COPY AREA 115

SCALE: NONE

PROJECT NO.: 714.10
 DRAWN BY: JB
 CHECKED BY: JB
 DATE: MAY 20, 1998

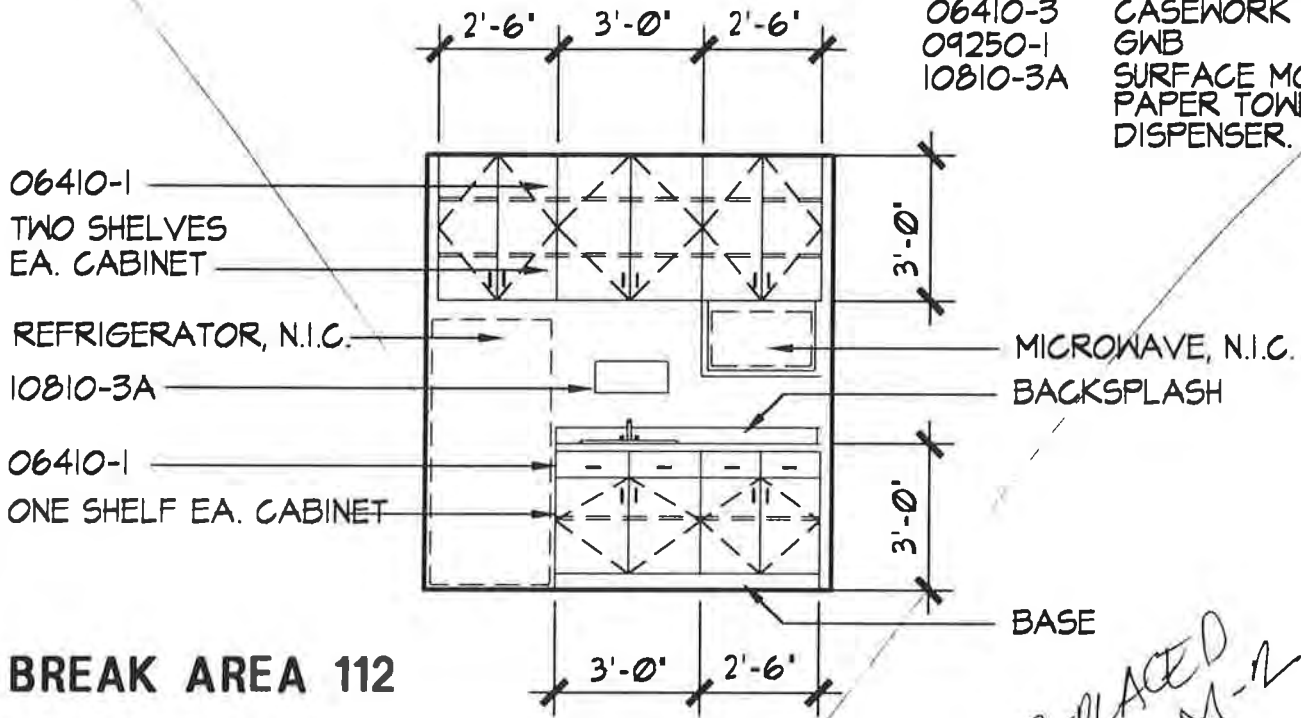


Unalaska Library

SKETCH NUMBER:
AS-02
 ADDENDUM NUMBER:
 ADD 2

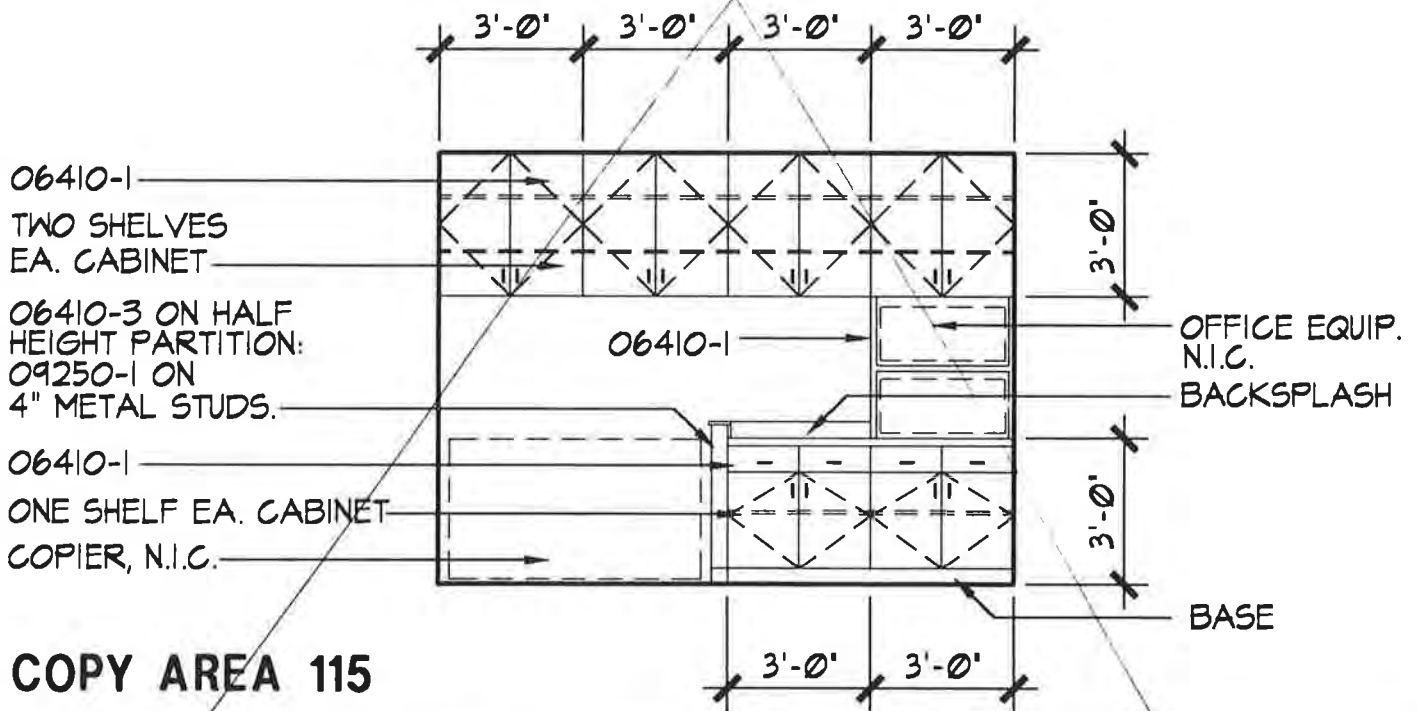
KEYNOTES

- 06410-1 CASEWORK TYPE 1
- 06410-3 CASEWORK TYPE 3
- 09250-1 GWB
- 10810-3A SURFACE MOUNTED PAPER TOWEL DISPENSER.



BREAK AREA 112

*REPLACED
ADM-12*



COPY AREA 115

ELEVATIONS - BREAK AREA 112/COPY AREA 115

SCALE: 1/4"=1'-0"

PROJECT NO.: 714.10
 DRAWN BY: JB
 CHECKED BY:
 DATE: APRIL 10, 1998



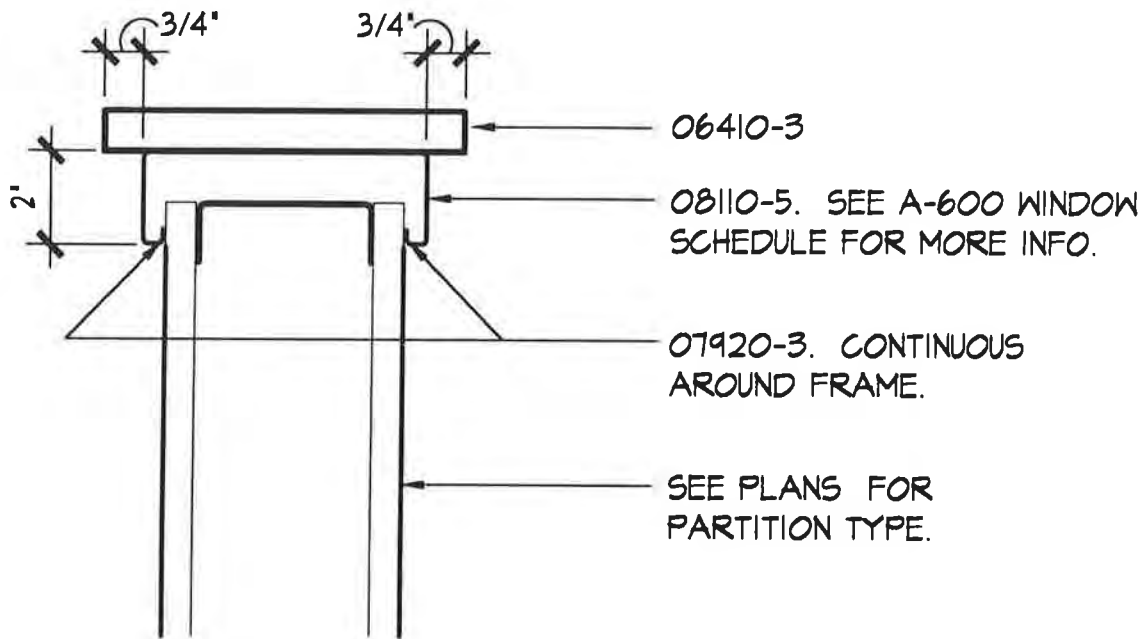
Unalaska Library

CROSS REF: DETAIL NUMBER:

C1-304

KEYNOTES

07920-3 SEALANT TYPE 3
08110-5 INTERIOR WINDOW



COPY 115 - PASS-THRU

SCALE: 3"=1'-0"

PROJECT NO.: 714.10
DRAWN BY: JB
CHECKED BY:
DATE: APRIL 10, 1998

LIVINGSTON
STONE
ARCHITECTURE
ENGINEERING
PLANNING
INTERIOR DESIGN

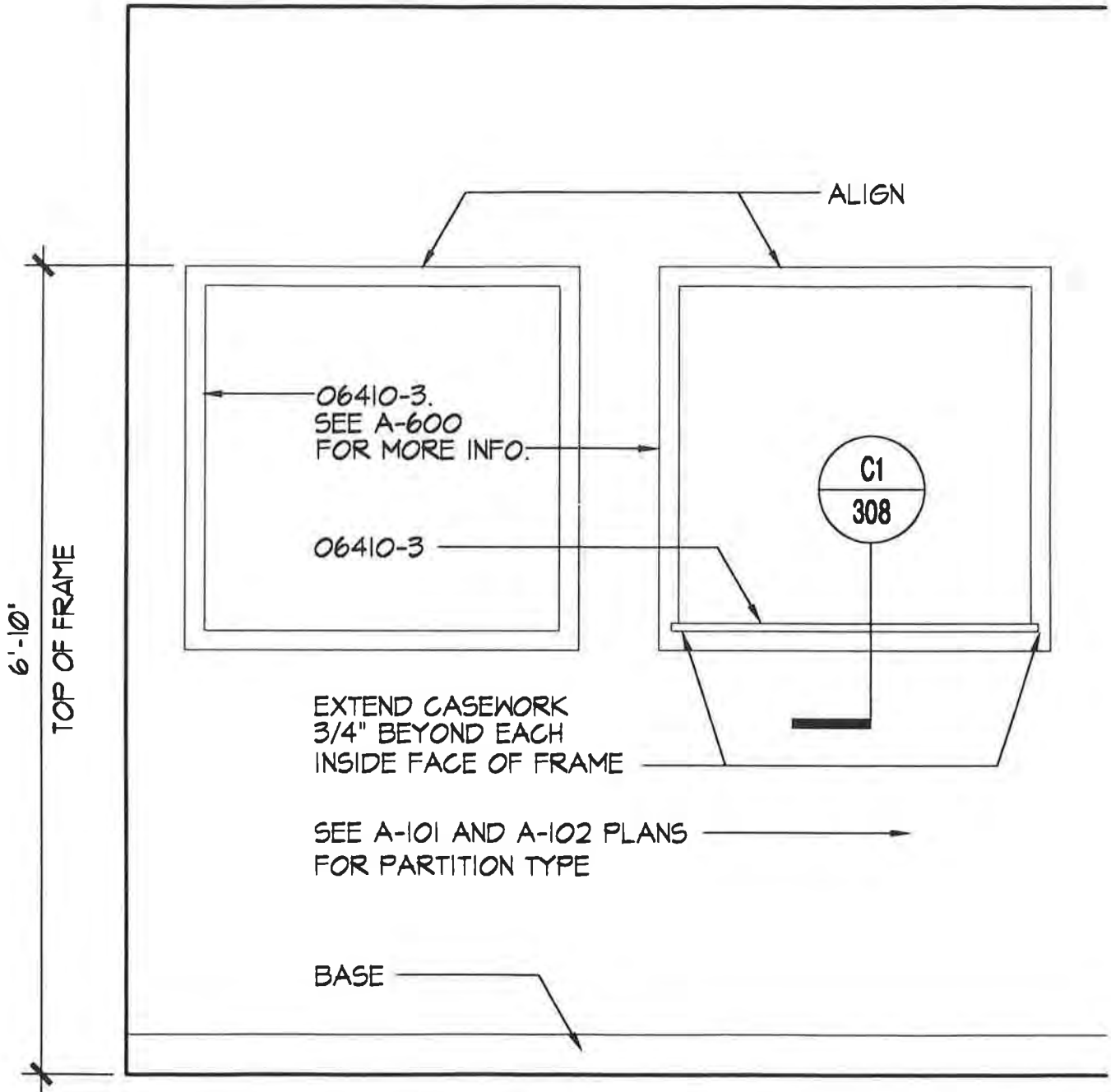
Unalaska Library

CROSS REF: DETAIL NUMBER:

C1-306

KEYNOTES

06410-3 CASEWORK TYPE 3
08110-5 INTERIOR WINDOW



COPY 115 - PASS-THRU ELEVATION

SCALE: 3/4"=1'-0"

PROJECT NO.: 714.10
DRAWN BY: JB
CHECKED BY:
DATE: APRIL 10, 1998

LIVINGSTON
STONE
ARCHITECTURE
ENGINEERING
PLANNING
INTERIOR DESIGN

Unalaska Library

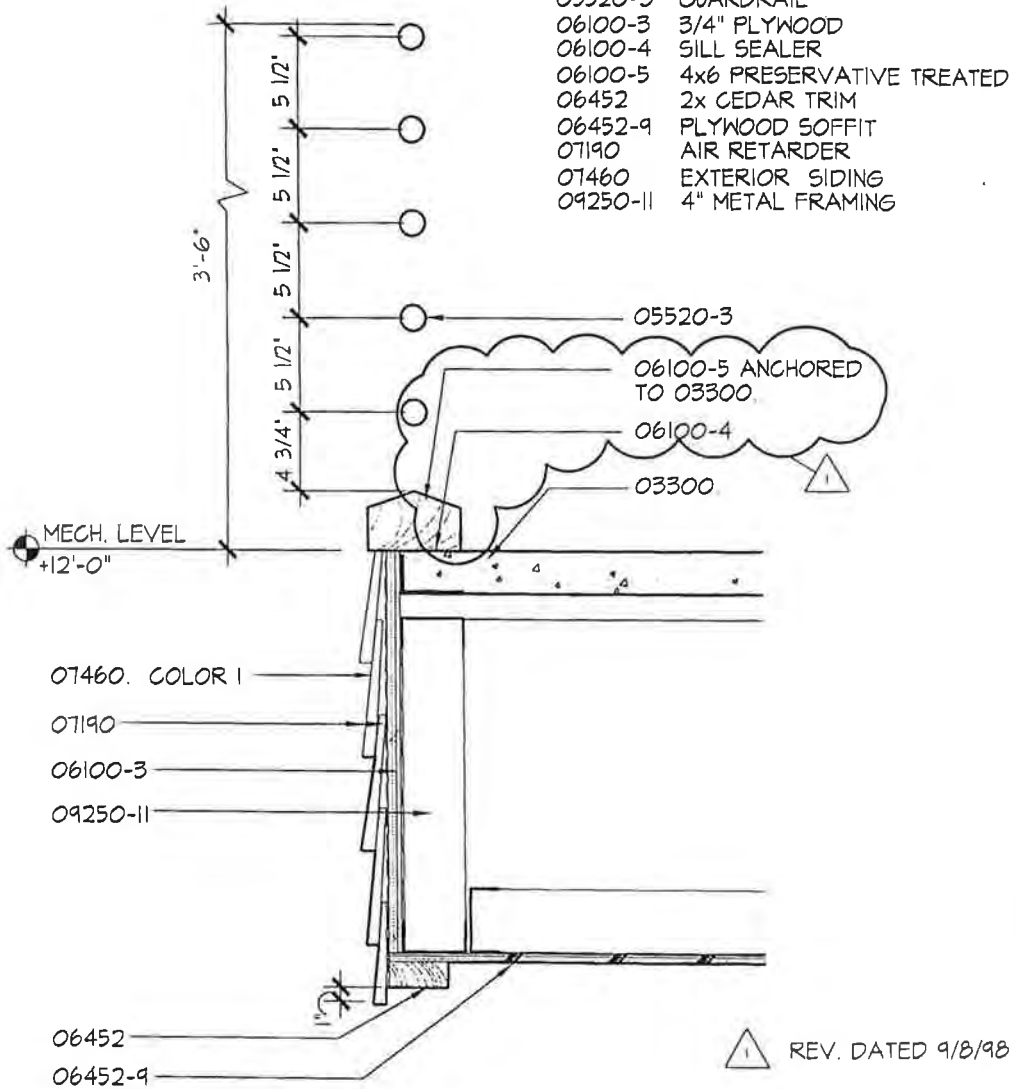
CROSS REF: DETAIL NUMBER:

C1-307

Copy from LSI for 09/09/98 WED 10:26

KEYNOTES

- 03300 CAST-IN-PLACE CONCRETE
- 05520-3 GUARDRAIL
- 06100-3 3/4" PLYWOOD
- 06100-4 SILL SEALER
- 06100-5 4x6 PRESERVATIVE TREATED
- 06452 2x CEDAR TRIM
- 06452-9 PLYWOOD SOFFIT
- 07190 AIR RETARDER
- 07460 EXTERIOR SIDING
- 09250-11 4" METAL FRAMING



FAN ROOM GUARDRAIL STAIR SECTION

SCALE: 1 1/2"=1'-0"

PROJECT NO.: 71410
 DRAWN BY: JB
 CHECKED BY:
 DATE: APRIL 10, 1998



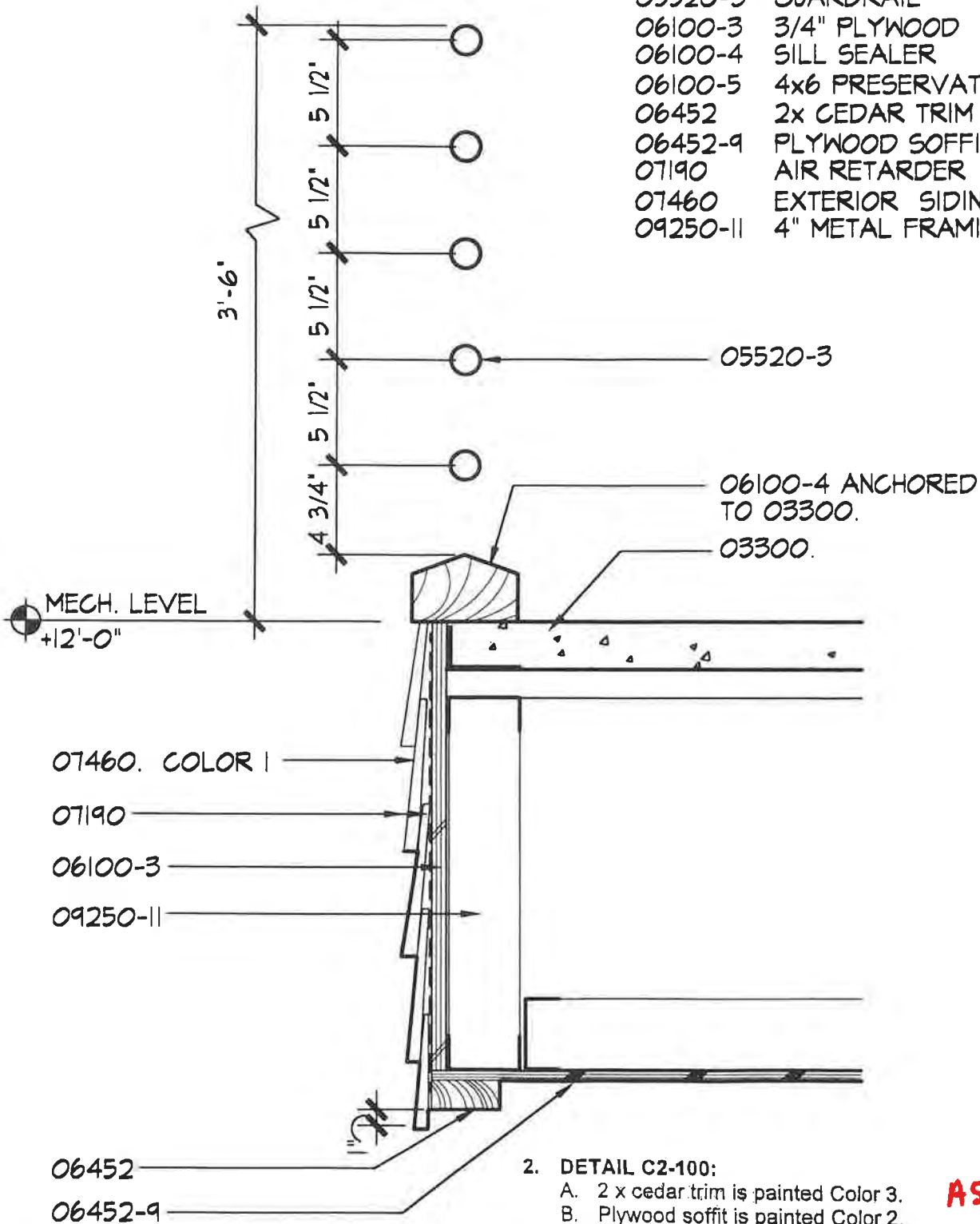
Unalaska Library

CROSS REF: DETAIL NUMBER:

C2-100

KEYNOTES

- 03300 CAST-IN-PLACE CONCRETE
- 05520-3 GUARDRAIL
- 06100-3 3/4" PLYWOOD
- 06100-4 SILL SEALER
- 06100-5 4x6 PRESERVATIVE TREATED
- 06452 2x CEDAR TRIM
- 06452-9 PLYWOOD SOFFIT
- 07190 AIR RETARDER
- 07460 EXTERIOR SIDING
- 09250-11 4" METAL FRAMING



2. DETAIL C2-100:
 A. 2 x cedar trim is painted Color 3.
 B. Plywood soffit is painted Color 2.
 C. Guardrail is painted Color 7.

ASI-005

FAN ROOM GUARDRAIL STAIR SECTION

SCALE: 1 1/2" = 1'-0"

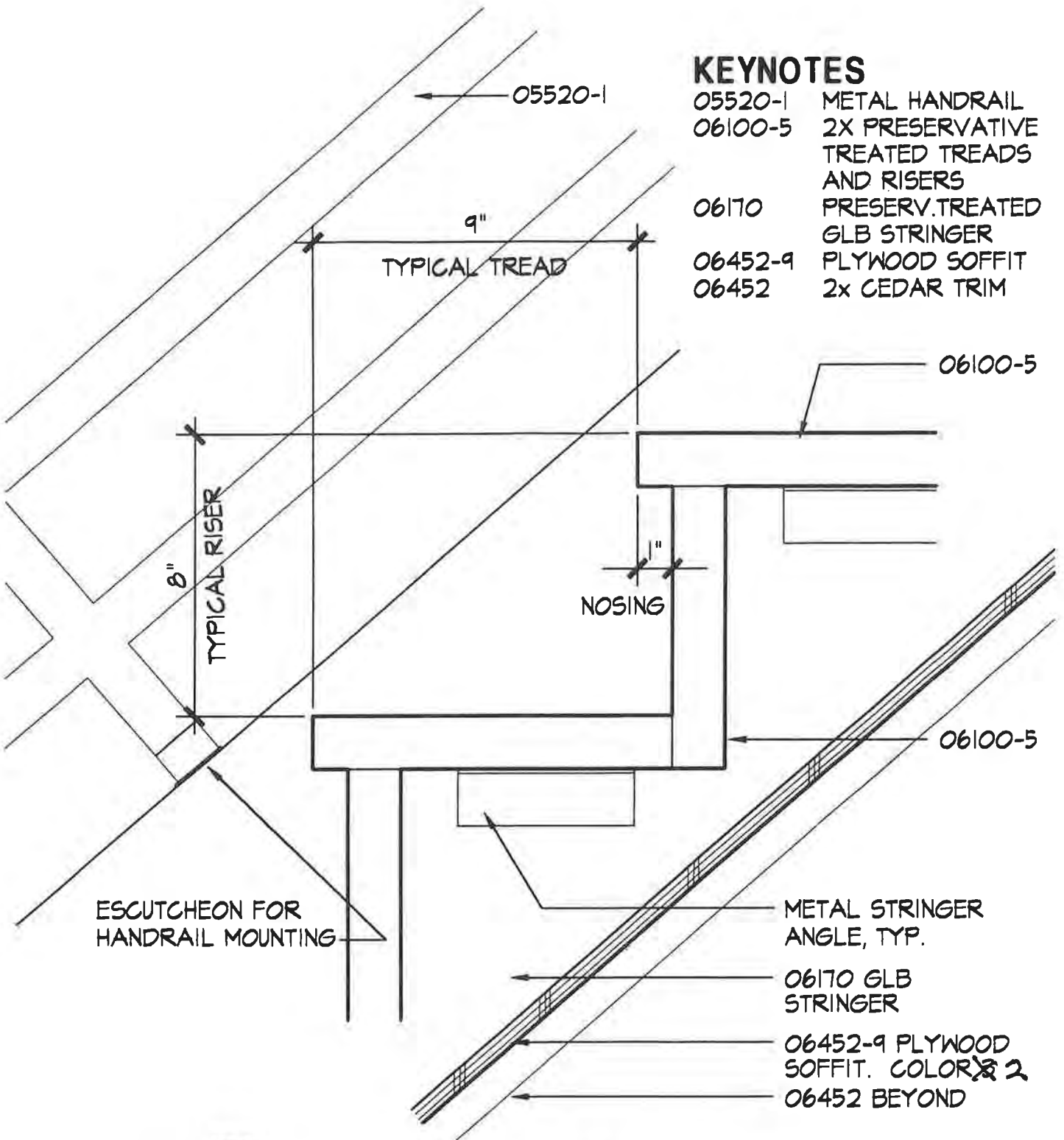
PROJECT NO.: 714.10
 DRAWN BY: JB
 CHECKED BY:
 DATE: APRIL 10, 1998



Unalaska Library

CROSS REF: DETAIL NUMBER:

C2-100



KEYNOTES

- 05520-1 METAL HANDRAIL
- 06100-5 2X PRESERVATIVE TREATED TREADS AND RISERS
- 06170 PRESERV.TREATED GLB STRINGER
- 06452-9 PLYWOOD SOFFIT
- 06452 2x CEDAR TRIM

ESCUTCHEON FOR HANDRAIL MOUNTING

- 06100-5
- 06100-5
- METAL STRINGER ANGLE, TYP.
- 06170 GLB STRINGER
- 06452-9 PLYWOOD SOFFIT. COLOR 2
- 06452 BEYOND

3. DETAIL C2-101:
- A. 2 x cedar trim is painted Color 3.
 - B. Wood stair stringer treads and risers are painted Color 3.
 - C. Plywood soffit is painted Color 2.
 - D. Handrail is painted Color 7.

RSI-005

TYPICAL FAN ROOM STAIR TREAD/RISER

SCALE: 3"=1'-0"

PROJECT NO.: 714.10
 DRAWN BY: JB
 CHECKED BY:
 DATE: APRIL 10, 1998



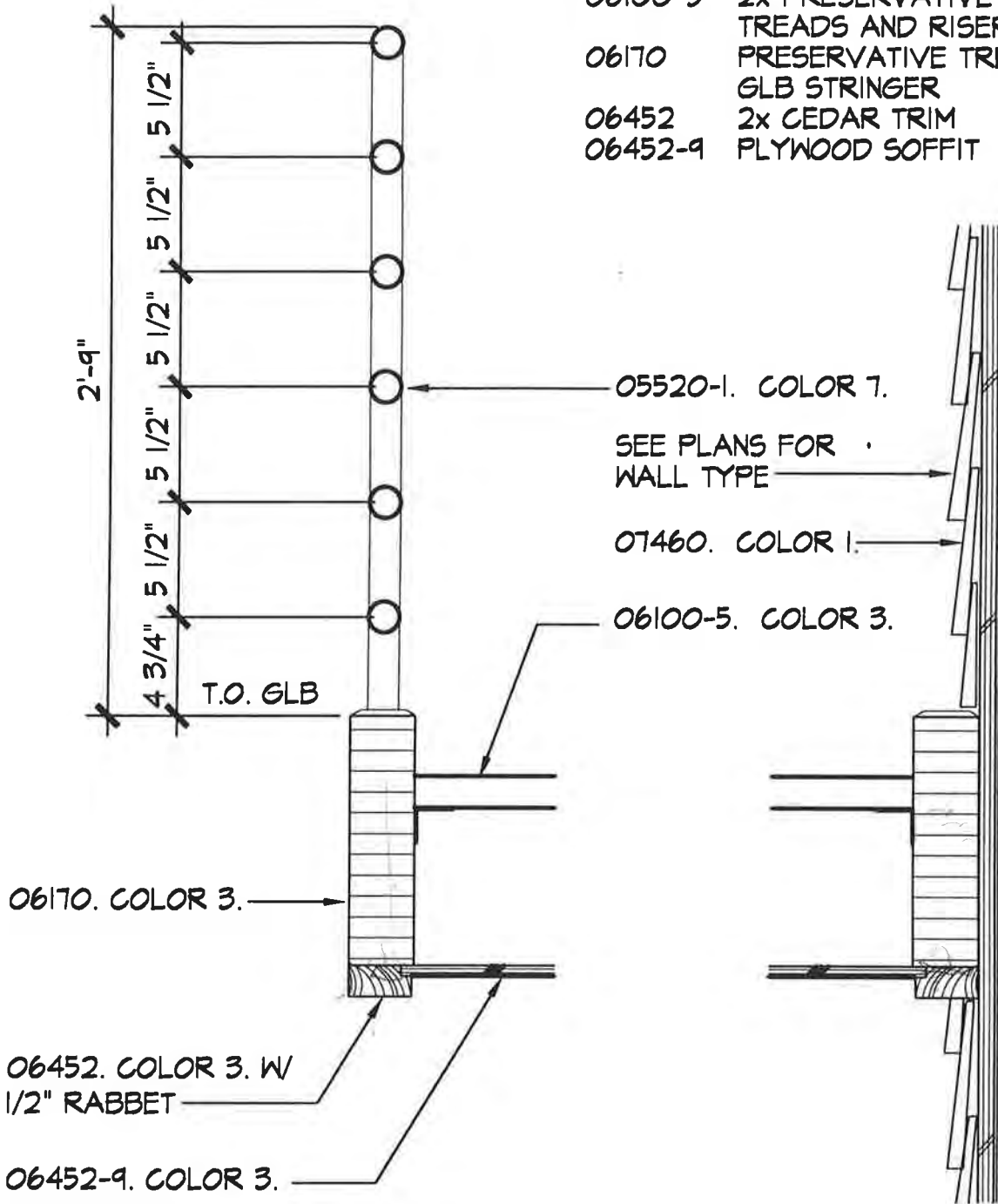
Unalaska Library

CROSS REF: DETAIL NUMBER:

C2-101

KEYNOTES

- 05520-1 METAL HANDRAIL
- 06100-5 2x PRESERVATIVE TREATED TREADS AND RISERS
- 06170 PRESERVATIVE TREATED GLB STRINGER
- 06452 2x CEDAR TRIM
- 06452-9 PLYWOOD SOFFIT



FAN ROOM HANDRAIL SECTION

SCALE: 1 1/2" = 1'-0"

PROJECT NO.: 714.10
 DRAWN BY: JB
 CHECKED BY:
 DATE: APRIL 10, 1998



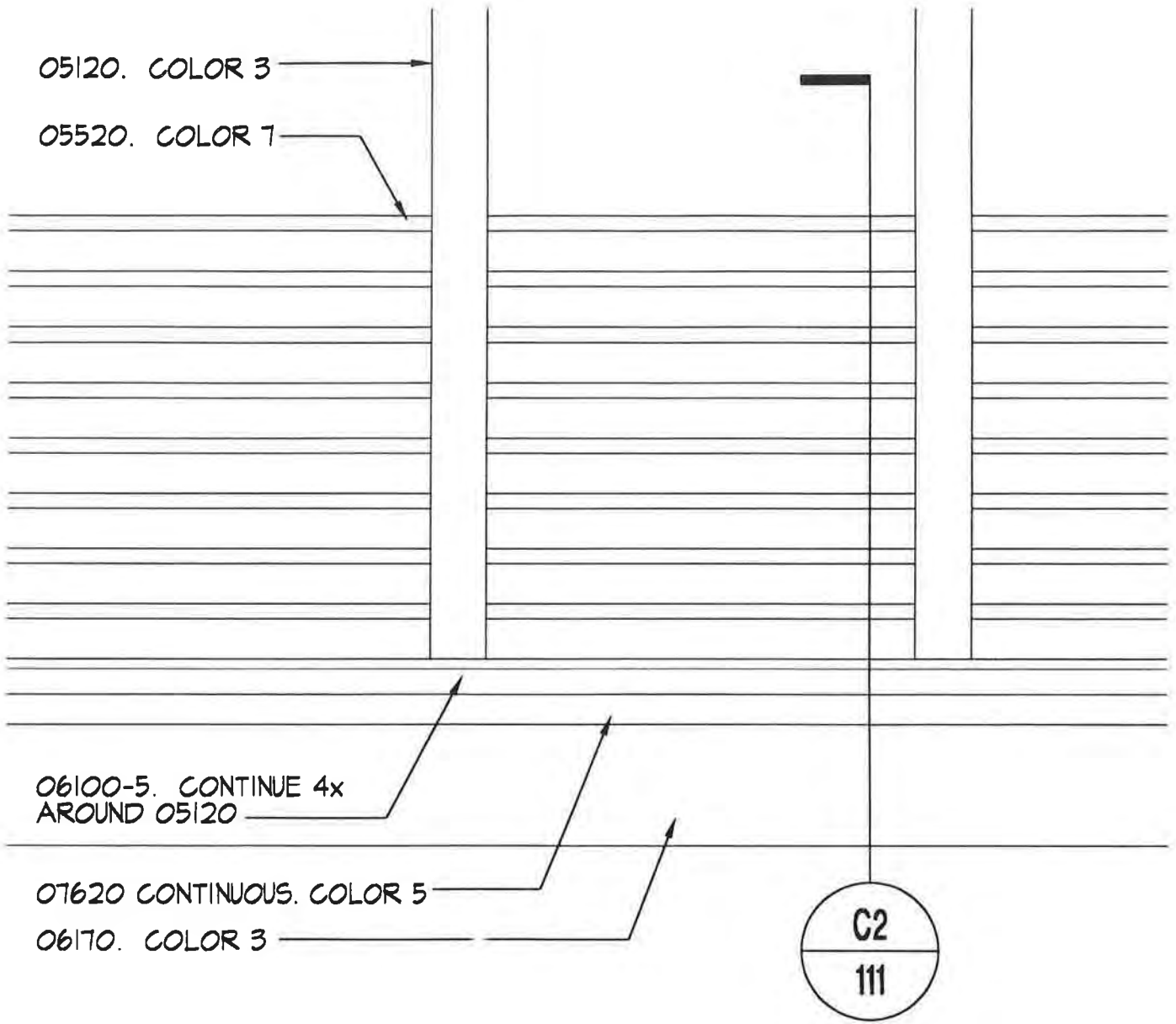
Unalaska Library

CROSS REF: DETAIL NUMBER:

C2-102

KEYNOTES

- 05120 SEE STRUCTURAL DWGS
- 05520-1 METAL HANDRAIL
- 05530 METAL GRATING
- 06100-5 4x8 PRESERVATIVE TREATED
- 06170 GLU-LAM BEAM
- 07620 METAL FLASHING



WALKWAY GUARDRAIL ELEVATION - ADD. ALT 1

SCALE: 3/4"=1'-0"

PROJECT NO.: 714.10
 DRAWN BY: JB
 CHECKED BY:
 DATE: APRIL 10, 1998



Unalaska Library

CROSS REF: DETAIL NUMBER:

C2-110

Response/Remarks:

The 4x6 and 4x8 preservative treated wood indicated in details C2-111 and B2-120 is correct. Other locations are as follows:

1. The sill plates at columns near grids A1 and A8. See detail B2-114.
2. The sill plates at the base of wall type W4 outside door 110 at the Break Area. See drawing A1/A-101 and detail B2-103.
3. There is 4x6 preservative treated wood at the guardrail around the stair landing at the Fan Room level. See attached detail C2-100 revised 9/8/98. Note that the guardrail is on the east and north side of the stair including a small return at the top the stair. See drawings A1/A-400.

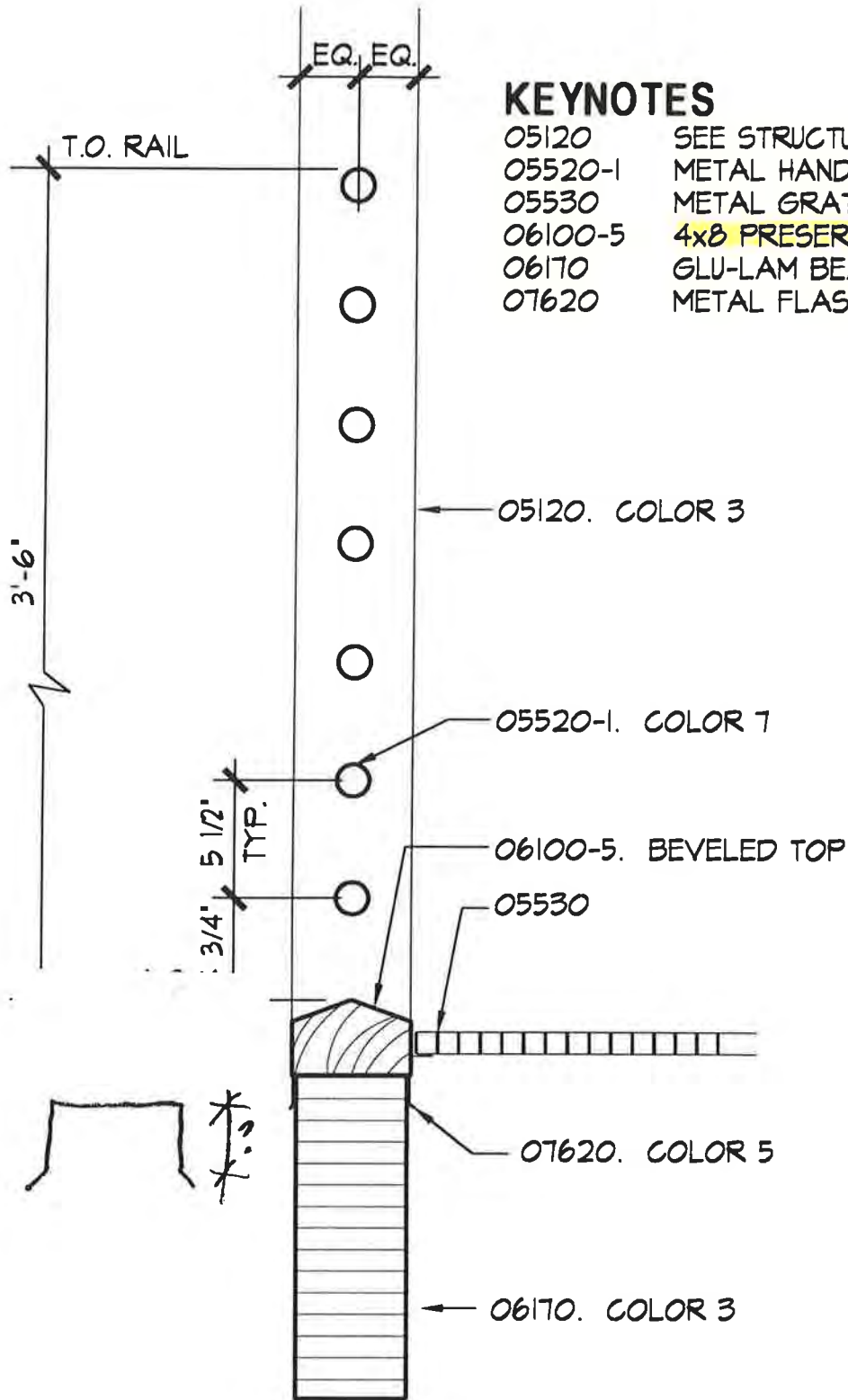
DCVR 23

By:

Dan Smith

Date:

9.9.98



KEYNOTES

- 05120 SEE STRUCTURAL DWGS
- 05520-1 METAL HANDRAIL
- 05530 METAL GRATING
- 06100-5 4x8 PRESERVATIVE TREATED
- 06170 GLU-LAM BEAM
- 07620 METAL FLASHING

05120. COLOR 3

05520-1. COLOR 7

06100-5. BEVELED TOP

05530

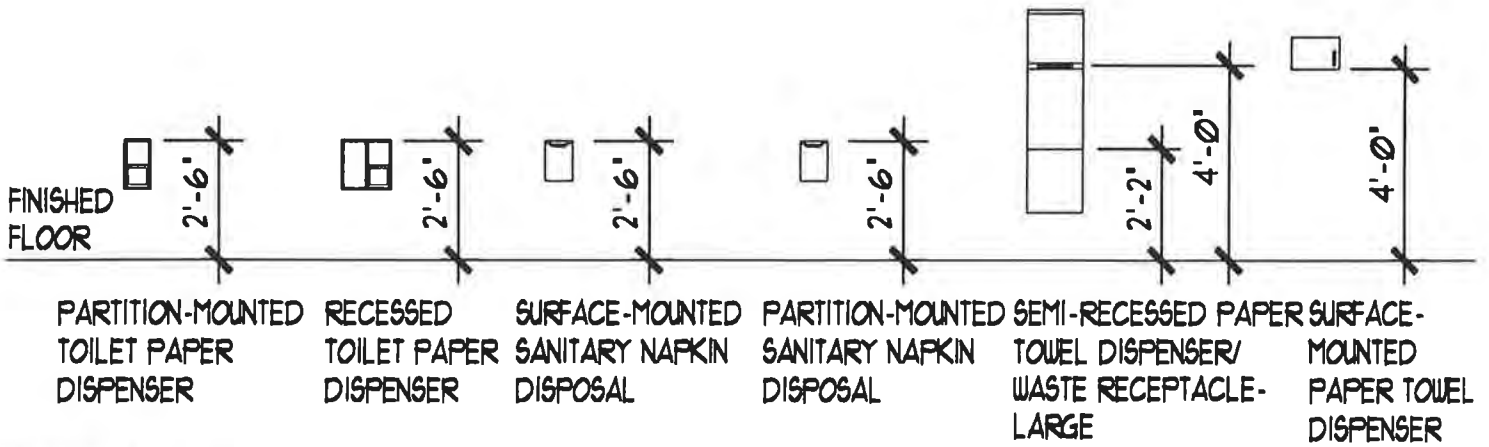
07620. COLOR 5

06170. COLOR 3

WALKWAY GUARDRAIL SECTION - ADD. ALT. 1

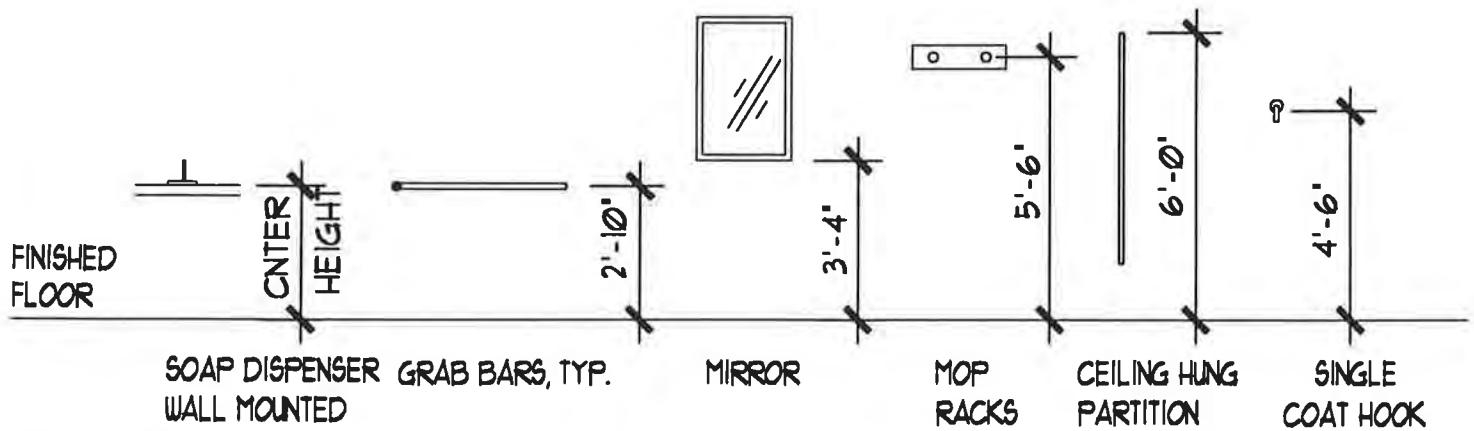
SCALE: 3"=1'-0"

PROJECT NO.: 714.10
 DRAWN BY: JB
 CHECKED BY:
 DATE: APRIL 10, 1998



KEYNOTE

10810-1A 10810-1B 10810-2A 10810-2B 10810-3B 10810-3A



KEYNOTE

10810-4 10810-5 10810-6 10810-7 10170 10810-8

TOILET ACCESSORY MOUNTING HEIGHTS

SCALE: 1/4"=1'-0"

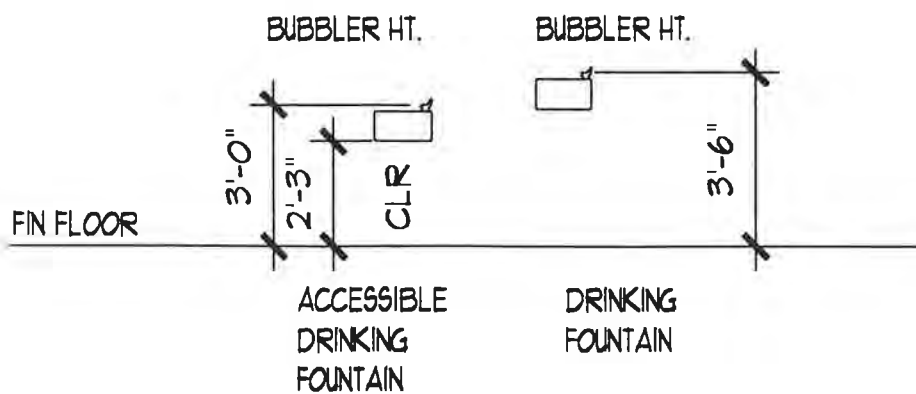
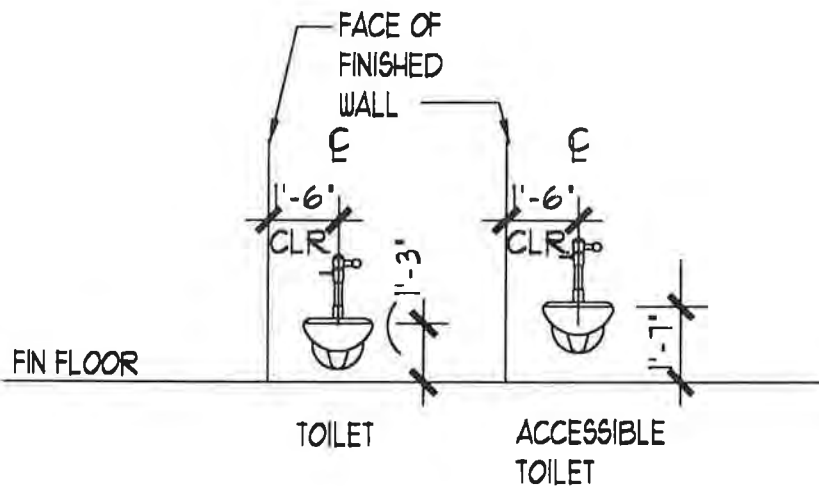
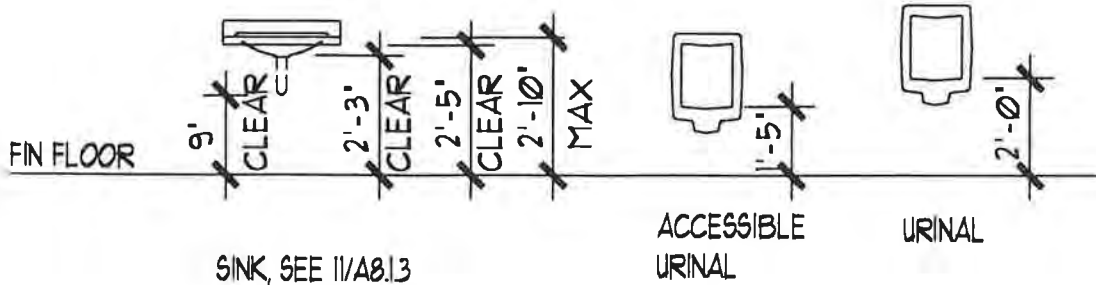
PROJECT NO.: 714.10
 DRAWN BY: JB
 CHECKED BY:
 DATE: APRIL 10, 1998



Unalaska Library

CROSS REF: DETAIL NUMBER:

C3-100



PLUMBING FIXTURE MOUNTING HEIGHTS

SCALE: 1/4"=1'-0"

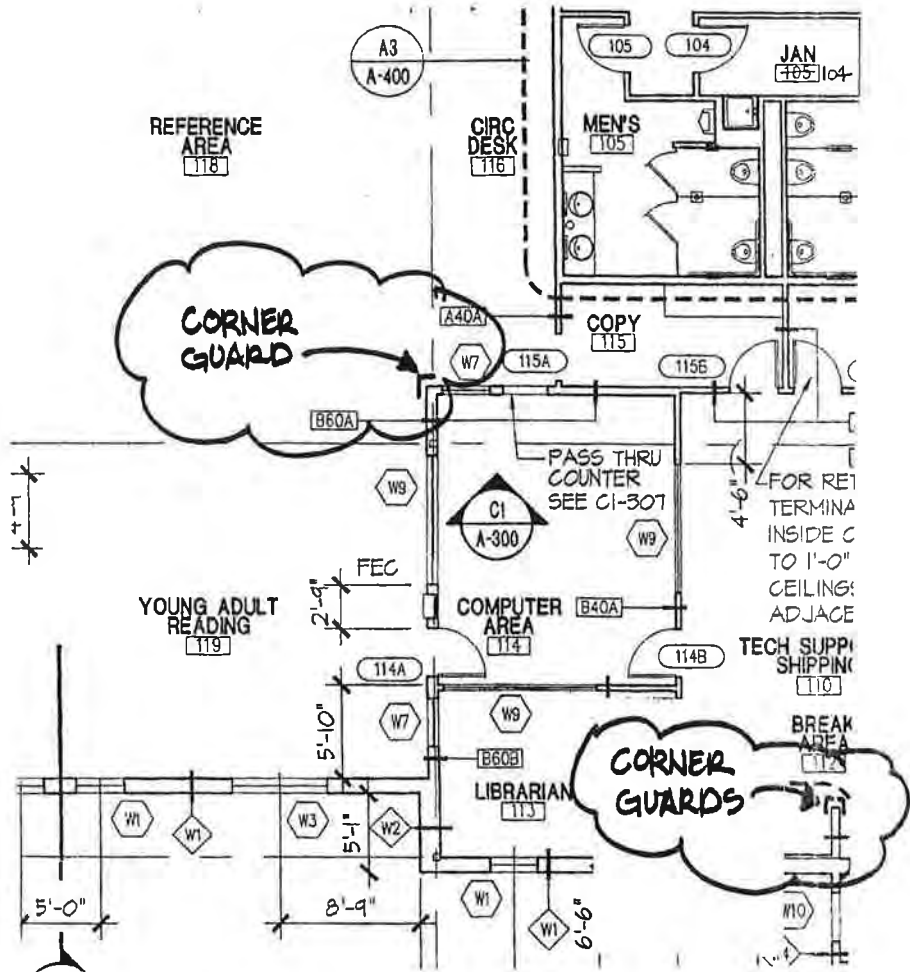
PROJECT NO.: 714.10
 DRAWN BY: JB
 CHECKED BY:
 DATE: APRIL 10, 1998



Unalaska Library

CROSS REF: DETAIL NUMBER:

C3-101



CORNER GUARD LOCATIONS

SCALE: NONE

PROJECT NO.: 714.1
DRAWN BY: JB
CHECKED BY:
DATE: MAY 25, 1999



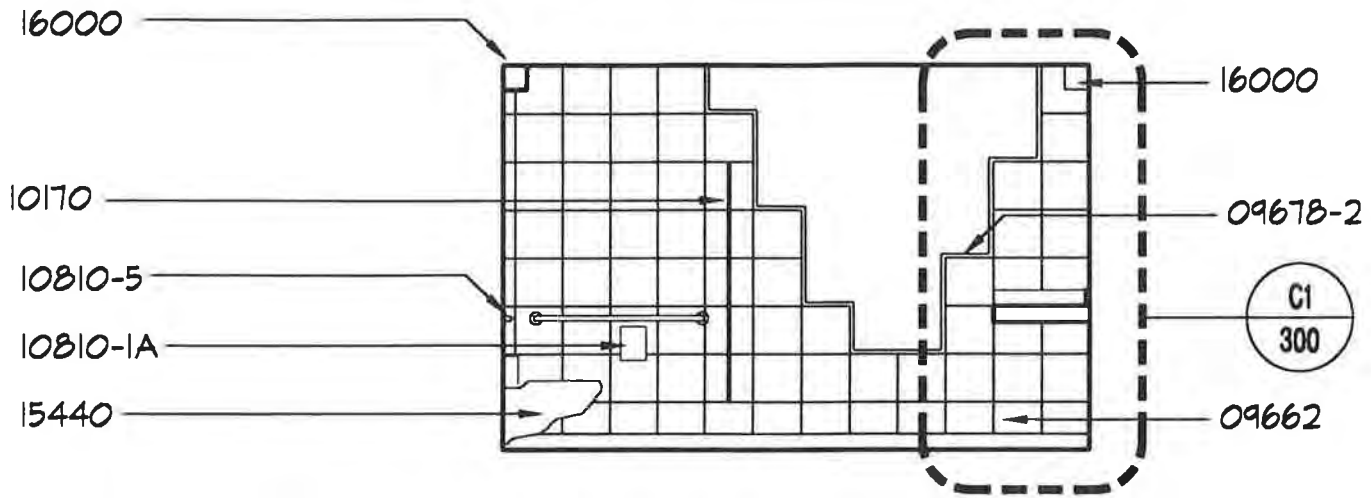
Unalaska Library

CROSS REF: DETAIL NUMBER:

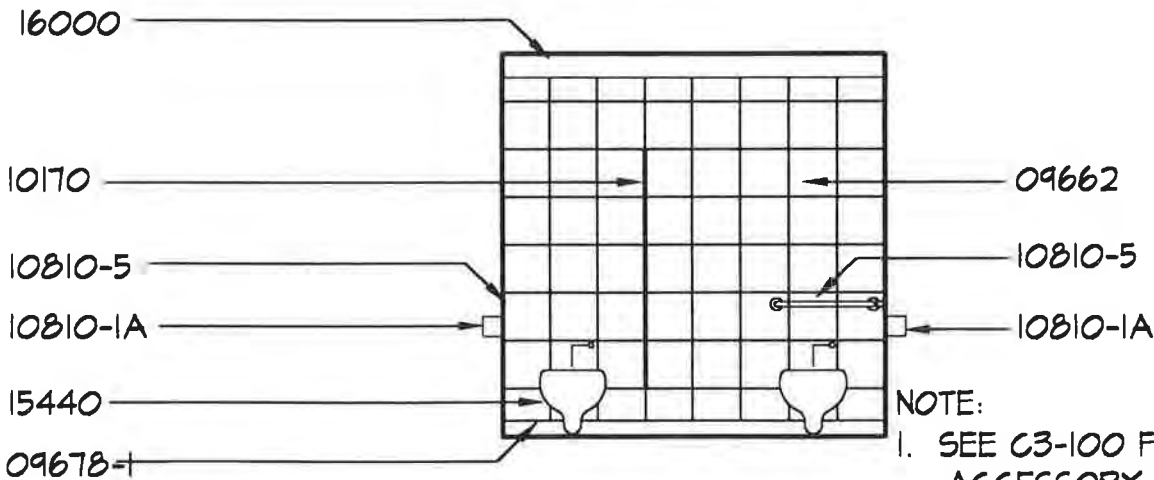
AS-045

KEYNOTES

- 09662 RESILIENT FLOOR TILE
- 09678-1 4" RUBBER BASE
- 09678-2 CAP STRIP
- 10170 TOILET PARTITION
- 10810-1A RECESSED TOILET PAPER HOLDER
- 10810-5 GRAB BARS
- 15440 FIXTURE. SEE PLUMBING DWGS
- 16000 LIGHTING. SEE ELECTRICAL DWGS



ELEVATION C



ELEVATION D

- NOTE:
1. SEE C3-100 FOR TOILET ACCESSORY MOUNTING HEIGHTS.
 2. SEE C3-101 FOR PLUMBING FIXTURE MOUNTING HEIGHTS.
 3. WALL AND FLOOR TILES ARE DIFFERENT COLORS. SEE SECTION 09660 FOR COLOR INFO.

INTERIOR ELEVATIONS - MEN'S 105

SCALE: 1/4" = 1'-0"

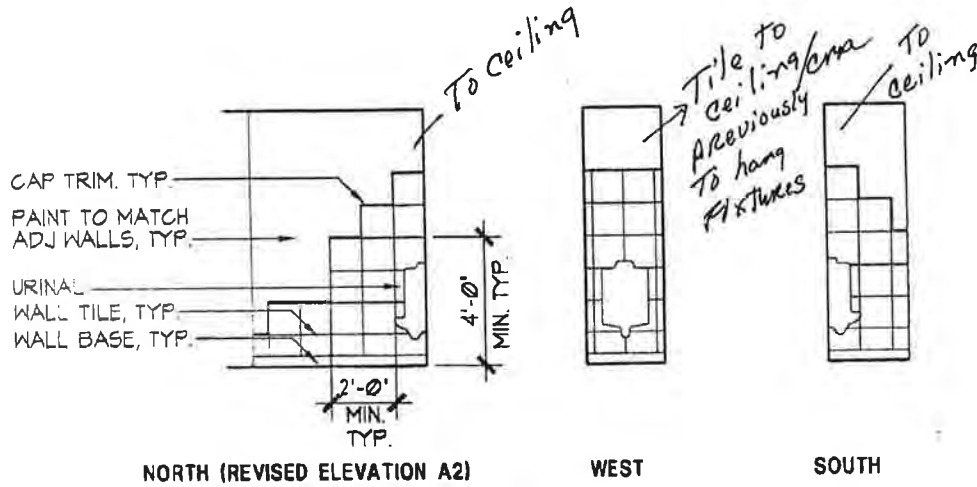
PROJECT NO.: 714.10
 DRAWN BY: JB
 CHECKED BY:
 DATE: APRIL 10, 1998



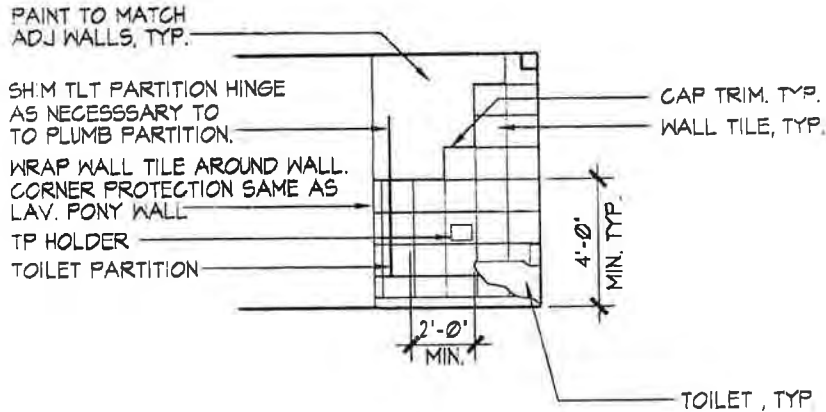
Unalaska Library

CROSS REF: DETAIL NUMBER:

C3-102



URNIAL ELEVATIONS



REVISED ELEVATION A1

C3-103 INTERIOR ELEVATIONS - MEN'S 105

SCALE: 1/4"=1'-0"

PROJECT NO.: 714.11
 DRAWN BY: JEB
 CHECKED BY:
 DATE: MAY 25, 1999



Unalaska Library

CROSS REF: DETAIL NUMBER:

AS-044

KEYNOTES

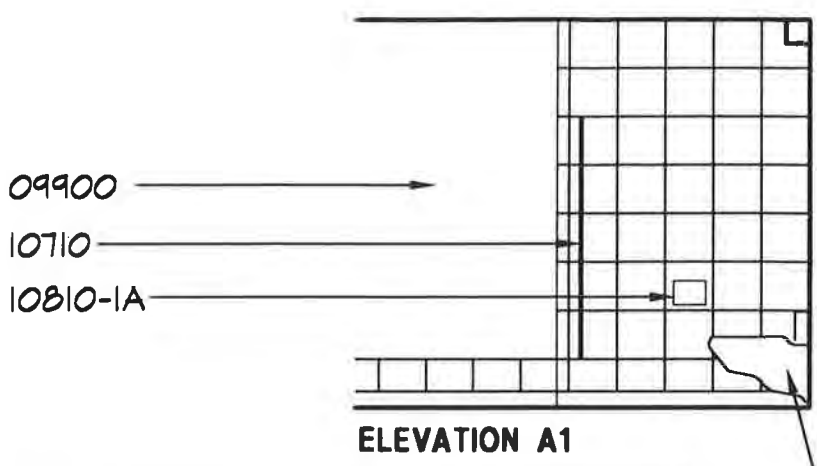
- 06410-2 CASEWORK TYPE 2
- 09678-1 4" RUBBER BASE
- 09678-2 RESILIENT TILE CAP STRIP
- 09662 RESILIENT TILE
- 09900 PAINT
- 10710 TOILET COMPARTMENT
- 10810-1A RECESSED TOILET PAPER HOLDER
- 10810-3B PAPER TOWEL DISPENSER AND DISPOSAL
- 10810-4 SOAP DISPENSER
- 10810-6 MIRROR
- 15440 PLUMBING FIXTURE. SEE PLUMBING DWGS
- 16000 LIGHTING. SEE ELECTRICAL DWGS

15440

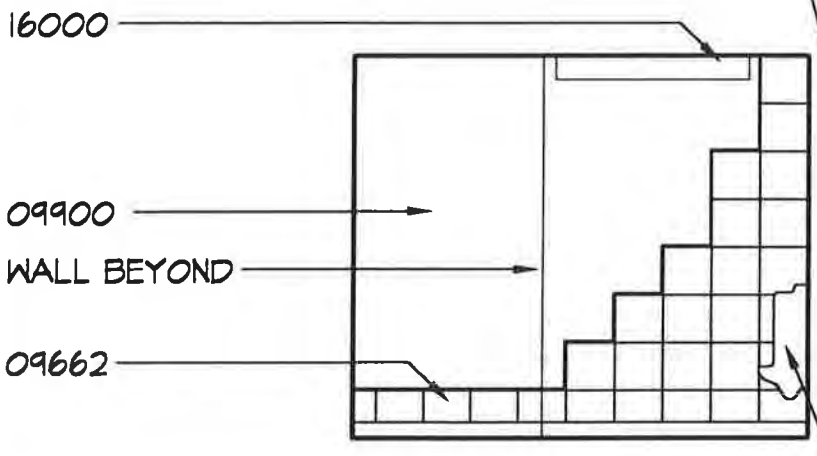
NOTE:

1. SEE C3-100 FOR TOILET ACCESSORY MOUNTING HEIGHTS.
2. SEE C3-101 FOR PLUMBING FIXTURE MOUNTING HEIGHTS.
3. WALL AND FLOOR TILES ARE DIFFERENT COLORS. SEE SECTION 09660 FOR MORE INFO.

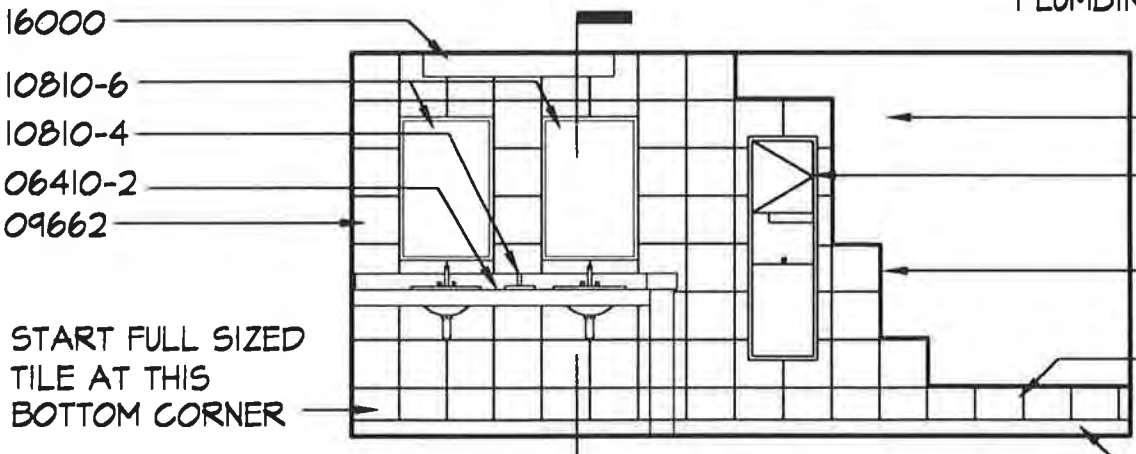
15440. SEE PLUMBING DWGS



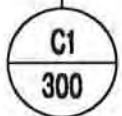
ELEVATION A1



ELEVATION A2



ELEVATION D



INTERIOR ELEVATIONS - MEN'S 105

SCALE: 1/4"=1'-0"

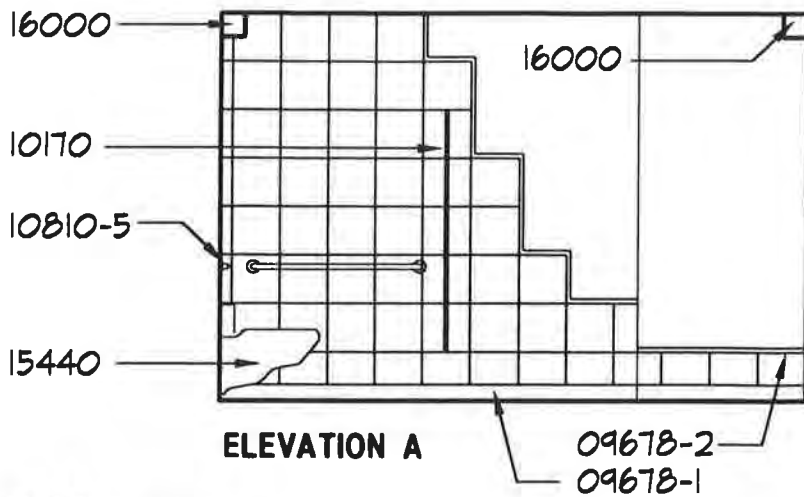
PROJECT NO.: 714.10
 DRAWN BY: JB
 CHECKED BY:
 DATE: APRIL 10, 1998



Unalaska Library

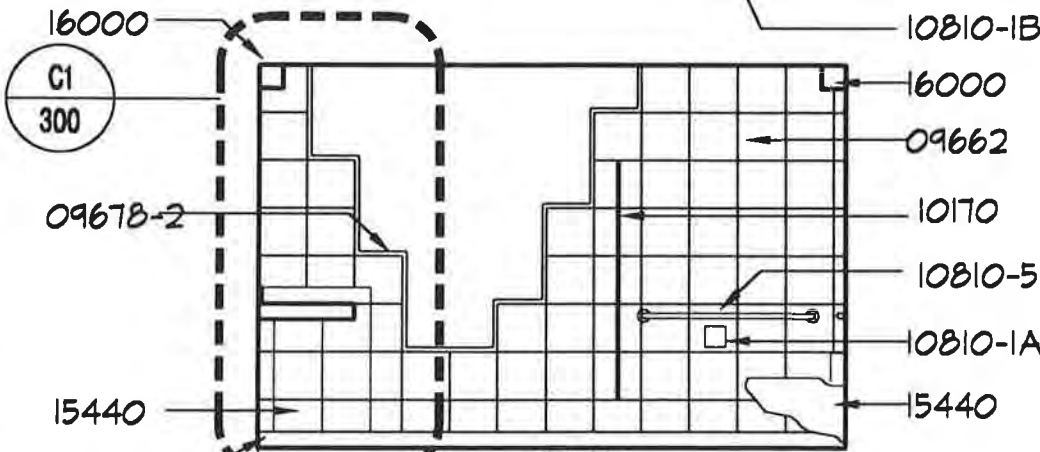
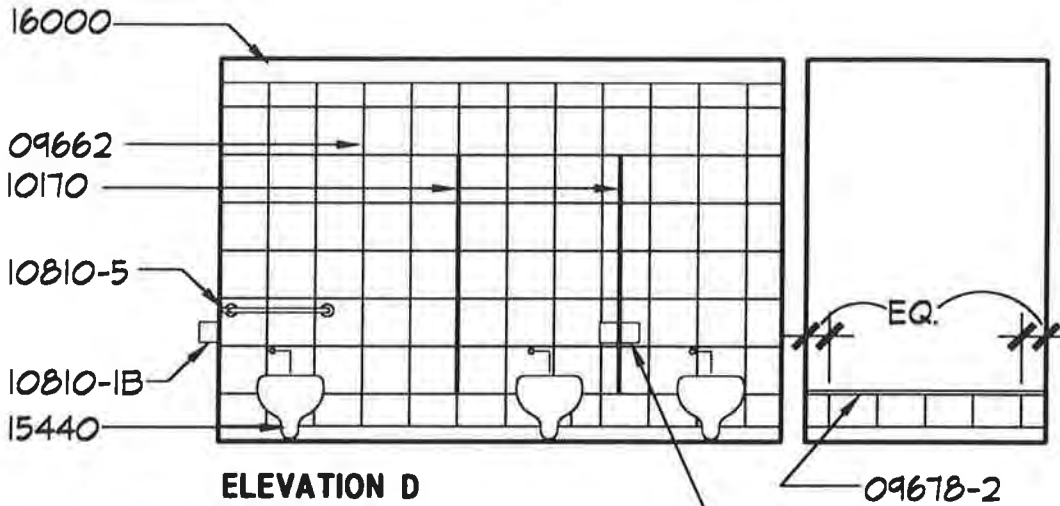
CROSS REF: DETAIL NUMBER:

C3-103



KEYNOTES

- 09662 RESILIENT FLOOR TILE
- 09678-1 4" RUBBER BASE
- 09678-2 CAP STRIP
- 10170 TOILET PARTITION
- 10810-1A RECESSED TOILET
- 10810-1B PAPER HOLDER
- 10810-5 GRAB BARS
- 15440 FIXTURE. SEE PLUMBING DWGS
- 16000 LIGHTING. SEE ELECTRICAL DWGS



NOTE:

1. SEE C3-100 FOR TOILET ACCESSORY MOUNTING HEIGHTS.
 2. SEE C3-101 FOR PLUMBING FIXTURE MOUNTING HEIGHTS.
 3. WALL AND FLOOR TILES ARE DIFFERENT COLORS.
- SEE SECTION 09660 FOR MORE COLOR INFO.

INTERIOR ELEVATIONS - WOMEN'S 106

SCALE: 1/4"=1'-0"

PROJECT NO.: 714.10
 DRAWN BY: JB
 CHECKED BY:
 DATE: APRIL 10, 1998



Unalaska Library

CROSS REF: DETAIL NUMBER:

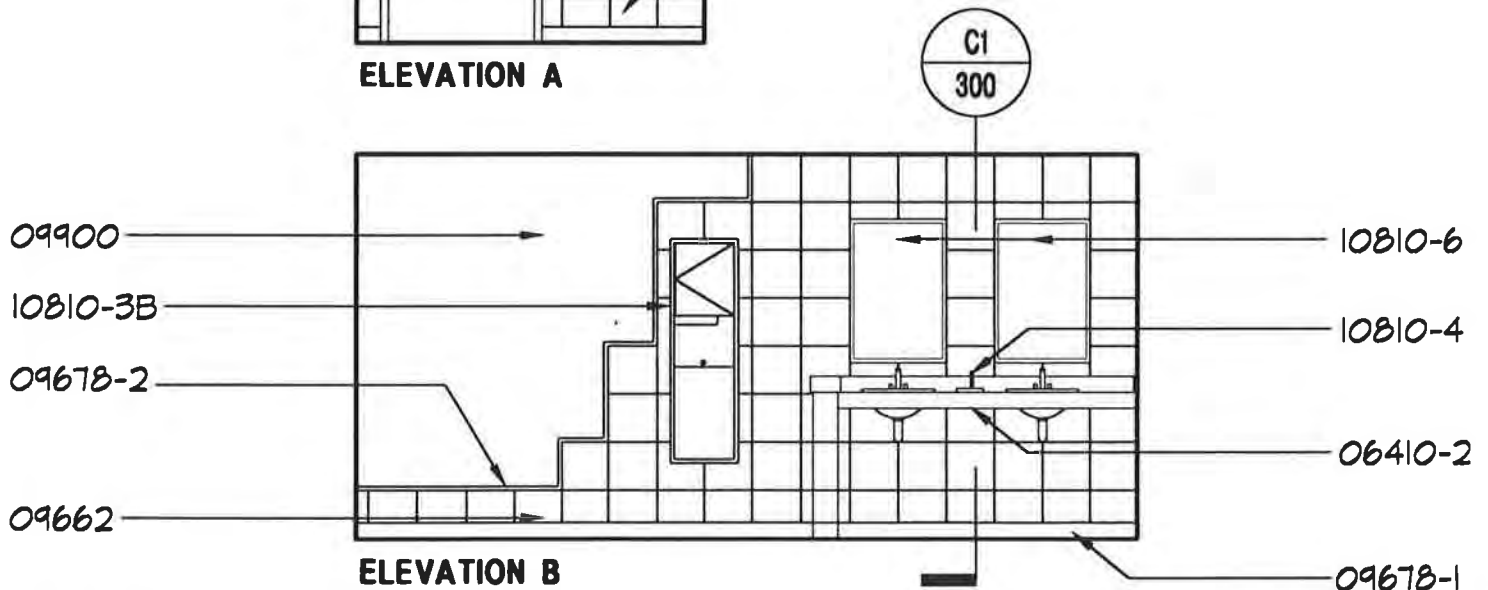
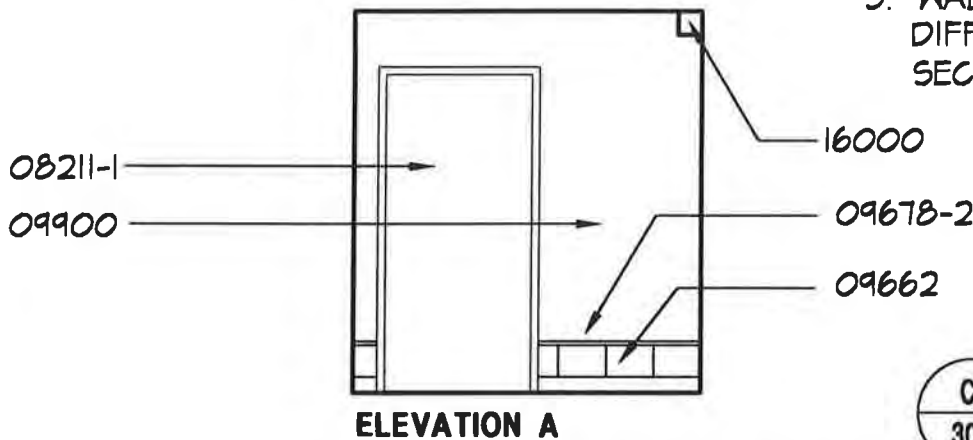
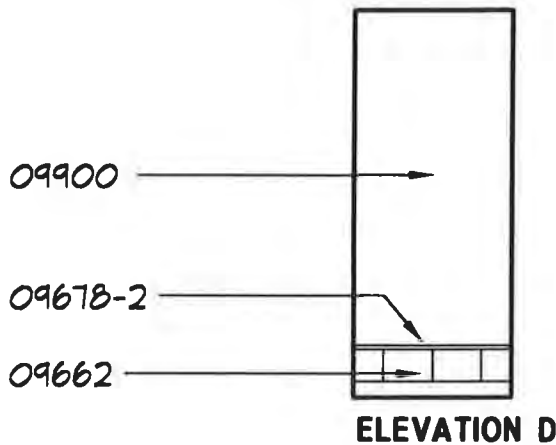
C3-104

KEYNOTES

- 06410-2 CASEWORK TYPE 2
- 08211-1 INTERIOR DOOR
- 09662 RESILIENT TILE
- 09678-1 4" RUBBER BASE
- 09678-2 RESILIENT TILE CAP STRIP
- 09900 PAINT
- 10710 TOILET COMPARTMENT
- 10810-3B PAPER TOWEL DISPENSER AND DISPOSAL
- 10810-4 SOAP DISPENSER
- 10810-6 MIRROR
- 16000 LIGHTING. SEE ELEC DWGS

NOTE:

1. SEE C3-100 FOR TOILET ACCESSORY MOUNTING HEIGHTS.
2. SEE C3-101 FOR PLUMBING FIXTURE MOUNTING HEIGHTS.
3. WALL AND FLOOR TILES ARE DIFFERENT COLORS. SEE SECTION 09660 FOR MORE INFO.



INTERIOR ELEVATIONS - WOMEN'S 106

SCALE: 1/4"=1'-0"

PROJECT NO.: 714.10
 DRAWN BY: JB
 CHECKED BY:
 DATE: APRIL 10, 1998



Unalaska Library

CROSS REF: DETAIL NUMBER:

C3-105

KEYNOTES

09510 CEILING SUSPENSION SYSTEM
SEE A-600 FOR CEILING SYSTEM TYPE

ACCESS TEE/ FLAT
SPLINE WHERE
OCCURS

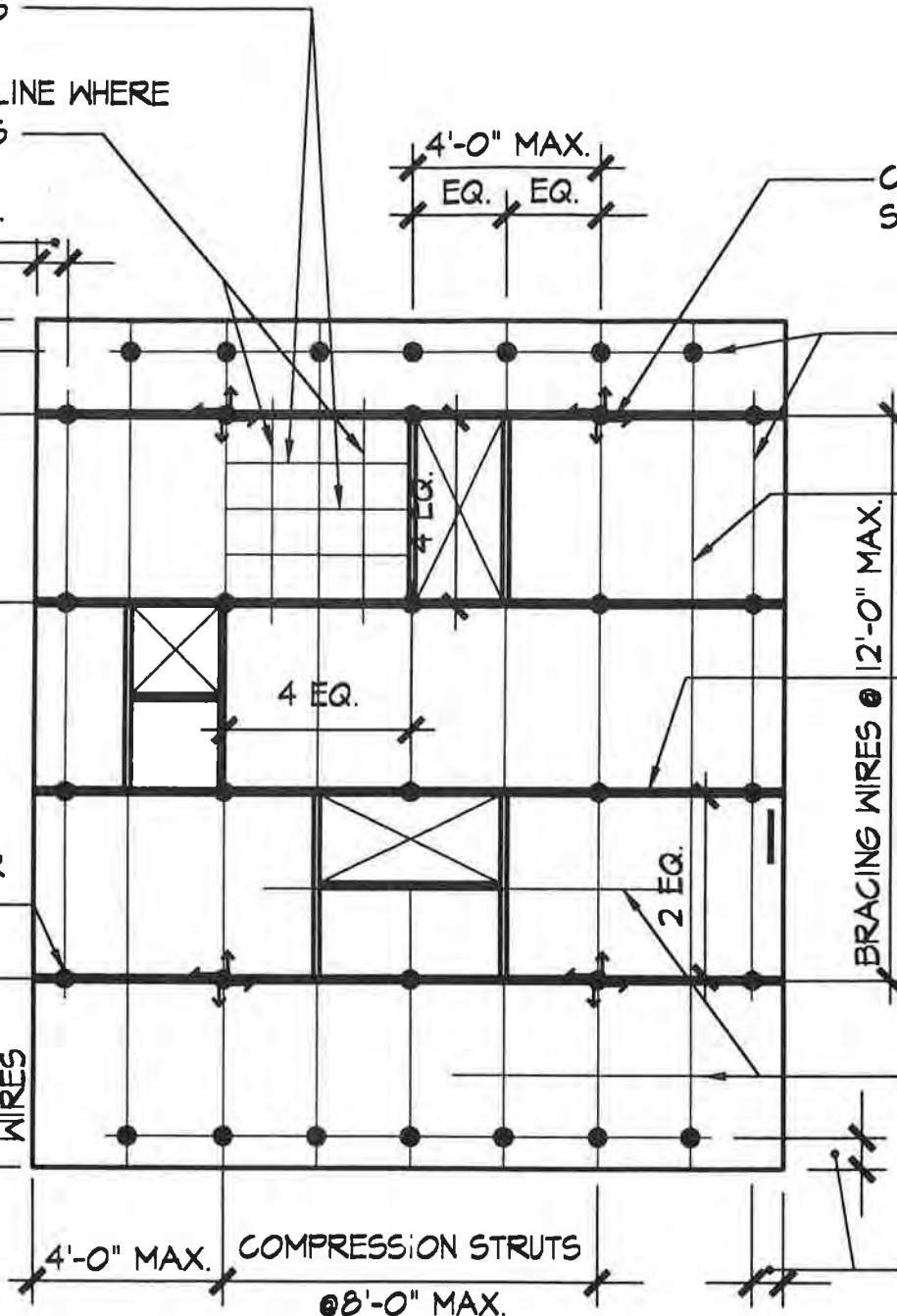
TEE SPLINE WHERE
OCCURS

8" MAX.
TYP.

4'-0" MAX.
TYP.

HANGER
WIRES

4'-0"
MAX. @
BRACING
WIRES



4'-0" MAX.
EQ. EQ.

COMPRESSION STRUT
SEE C3-304 AND C3-305

SPACER SLOTTED
ANGLES

09510-12

09510-12

BRACING WIRES @ 12'-0" MAX.

2'-0" X 2'-0" LAY-
IN- CROSS RUNNER
TEES TYP. W.O.

4'-0" MAX. COMPRESSION STRUTS
@ 8'-0" MAX.

8" MAX

NOTE:

2'-0" X 2'-0" AND
4'-0" X 4'-0" AT SIMILAR

DIAGRAMMATIC ACP CEILING FRAMING PLAN

SCALE: 1/4"=1'-0"

PROJECT NO.: 714.10
DRAWN BY: JB
CHECKED BY:
DATE: APRIL 10, 1998



Unalaska Library

CROSS REF: DETAIL NUMBER:

C3-302

Response/Remarks:

DCVR #10

- A. Delete Details C3-303, C3-304, and C3-305.
- B. Install Suspension system for gypsum board systems as required in Section 09250. See 1994 UBC Chapter 25 and UBC Standards 25.212 for additional installation requirements including requirements for compression struts and splay wires.

JOB NO. 9811

FR: TO:

DLVR

CC: RB

FF

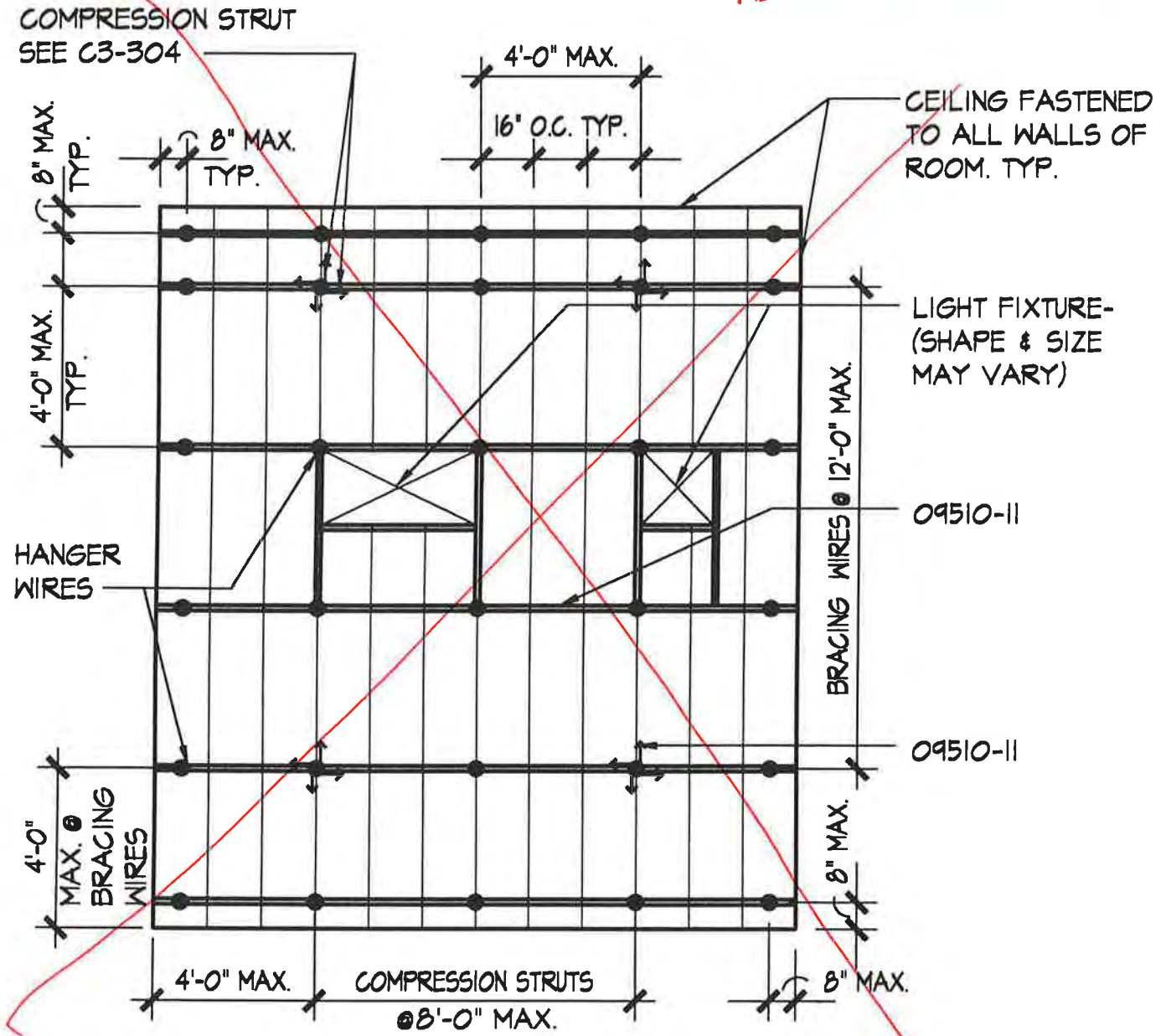
GB

By: Dan Smith Date: 7.29.98

KEYNOTES

09510-11 CEILING SUSPENSION SYSTEM TYPE 2

REFER TO DCVR # 10



DIAGRAMMATIC GWB CEILING FRAMING PLAN

SCALE: 1/4"=1'-0"

PROJECT NO.: 714.10
DRAWN BY: JB
CHECKED BY:
DATE: APRIL 10, 1998

**LIVINGSTON
STONE**
ARCHITECTURE
ENGINEERING
PLANNING
INTERIOR DESIGN

Unalaska Library

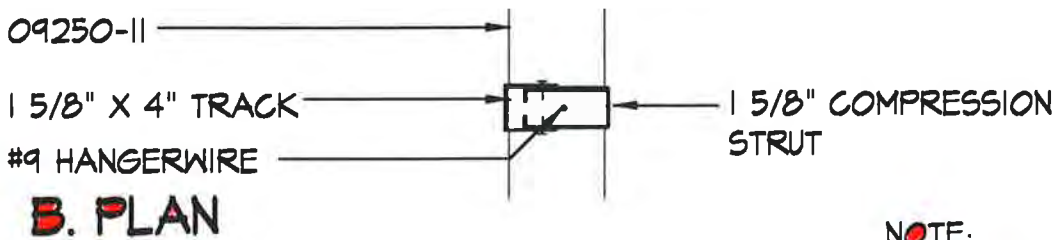
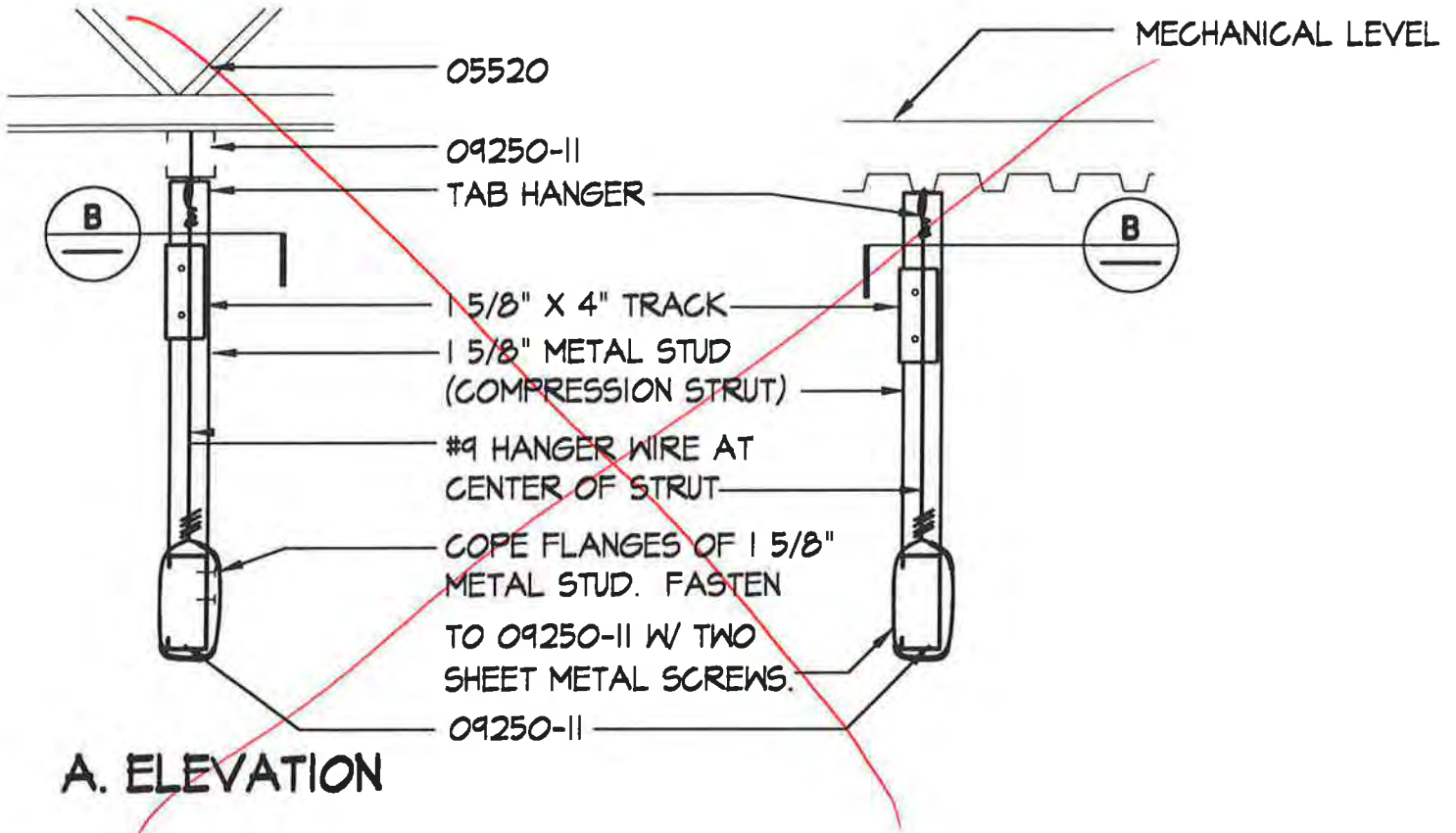
CROSS REF: DETAIL NUMBER:

C3-303

KEYNOTES

05520 SEE STRUCT. DWGS
09250-II 4" METAL STUD, 25 GA.

REFER to DCVR # 10



NOTE:
1. SEE C3-305 FOR MORE INFO.

COMPRESSION STRUT ELEVATION/PLAN

SCALE: 1 1/2" = 1'-0"

PROJECT NO.: 714.10
DRAWN BY: JB
CHECKED BY:
DATE: APRIL 10, 1998

LIVINGSTON
STONE
ARCHITECTURE
ENGINEERING
PLANNING
INTERIOR DESIGN

Unalaska Library

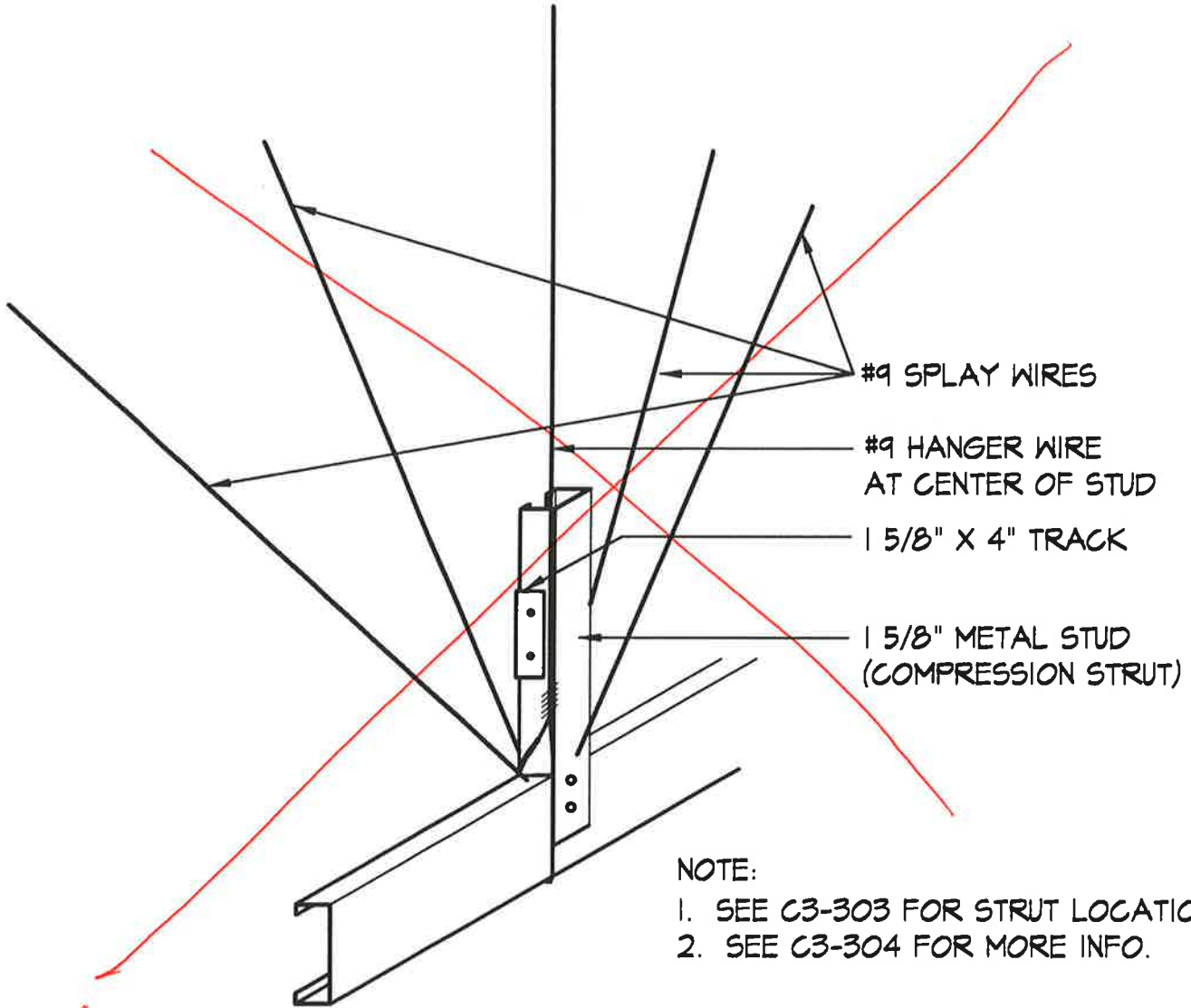
CROSS REF: DETAIL NUMBER:

C3-304

DC1VR 10

KEYNOTES

09250-II 4" METAL STUD, 25 GA.



- NOTE:
1. SEE C3-303 FOR STRUT LOCATIONS.
 2. SEE C3-304 FOR MORE INFO.

COMPRESSION STRUT DETAIL

SCALE: None

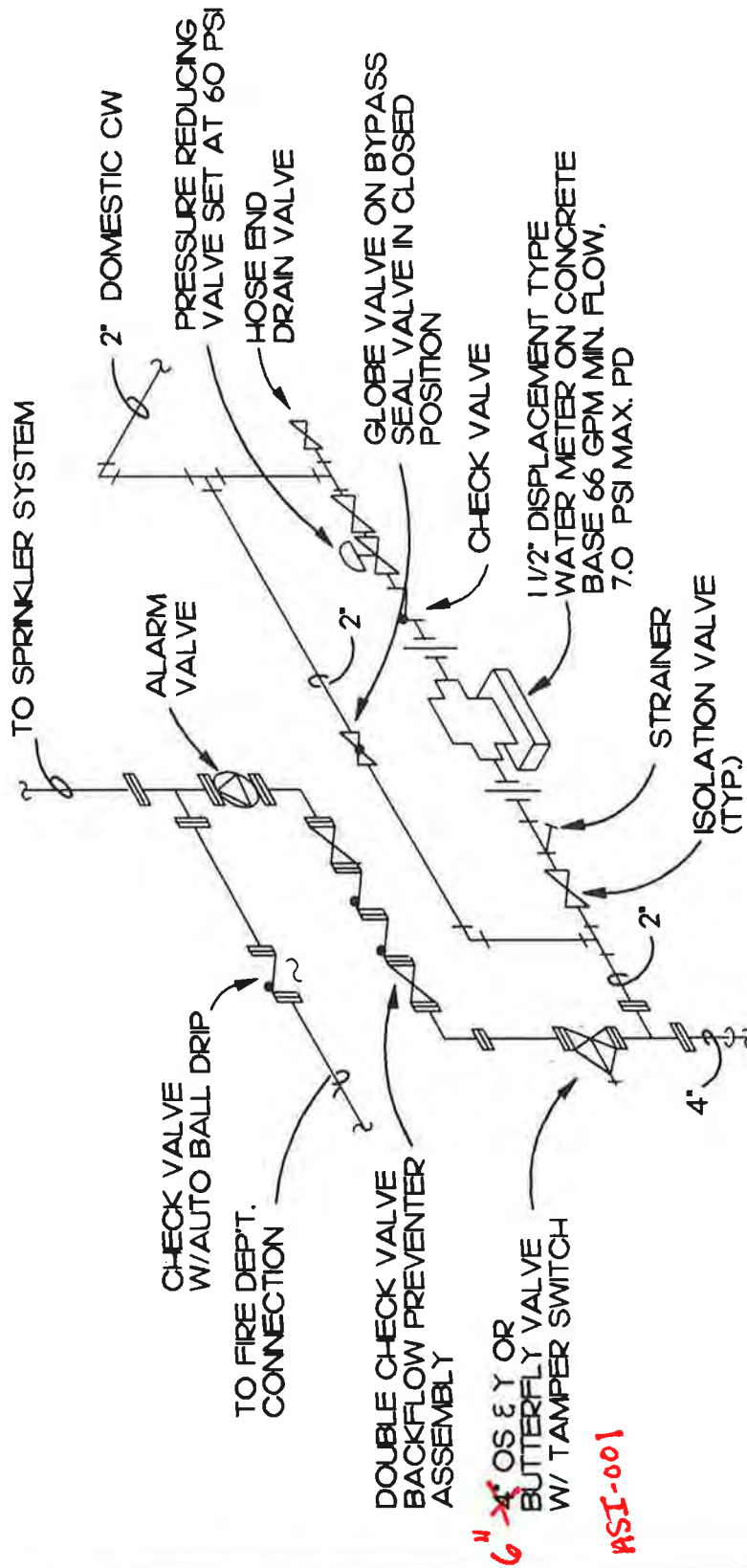
PROJECT NO.: 714.10
DRAWN BY: JB
CHECKED BY:
DATE: APRIL 10, 1998

LIVINGSTON
STONE
ARCHITECTURE
ENGINEERING
PLANNING
INTERIOR DESIGN

Unalaska Library

CROSS REF: DETAIL NUMBER:

C3-305



WATER SERVICE ENTRY DETAIL

SCALE: NONE

PROJECT NO.: 714.10
 DRAWN BY: JLM
 CHECKED BY: RLH
 DATE: 4/10/98

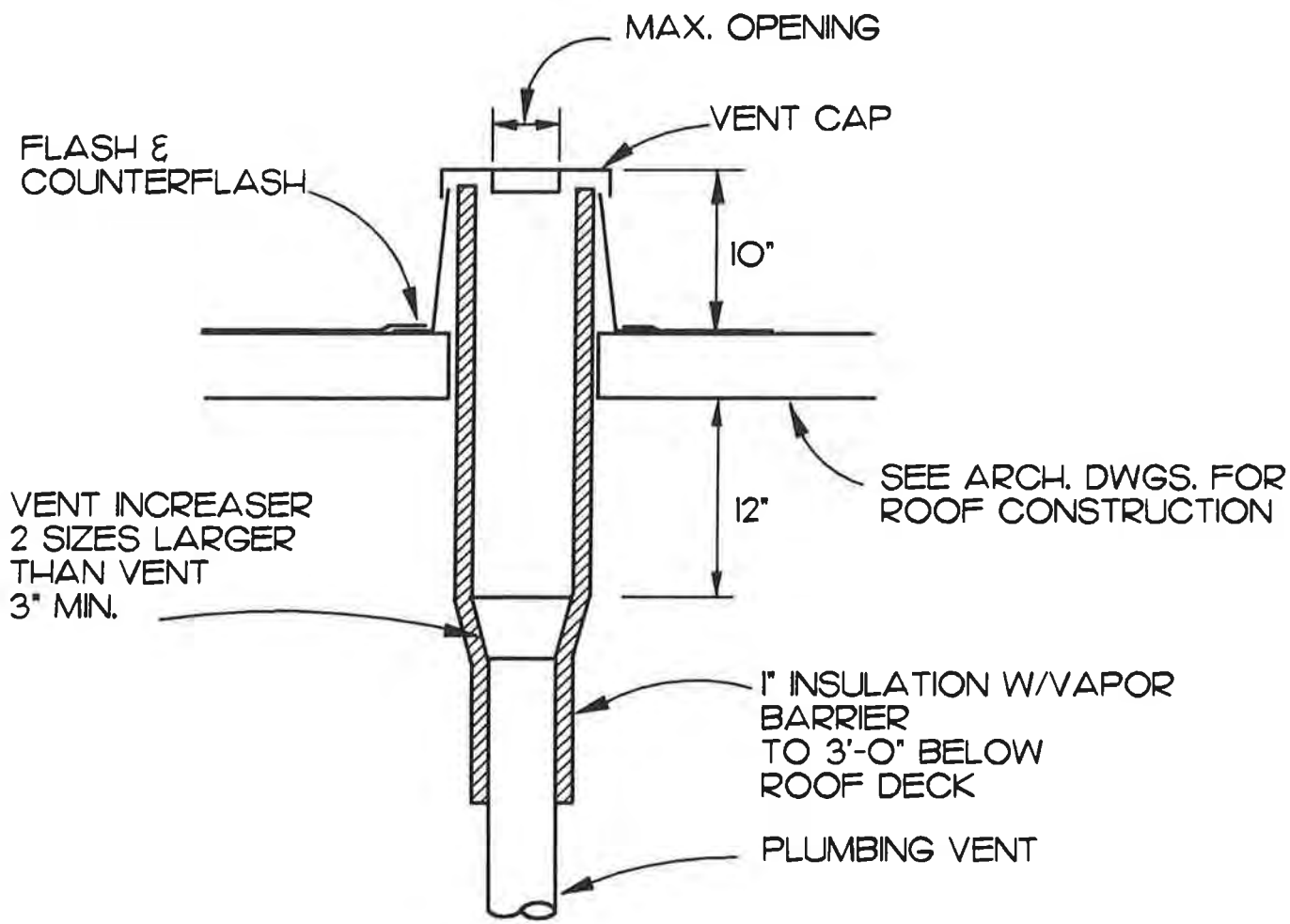


Unalaska Library

CROSS REF: NONE

DETAIL NUMBER:

D2-200



VENT THRU ROOF DETAIL

SCALE: NONE

PROJECT NO.: 714.10
 DRAWN BY: JLM
 CHECKED BY: RLH
 DATE: 4/10/98

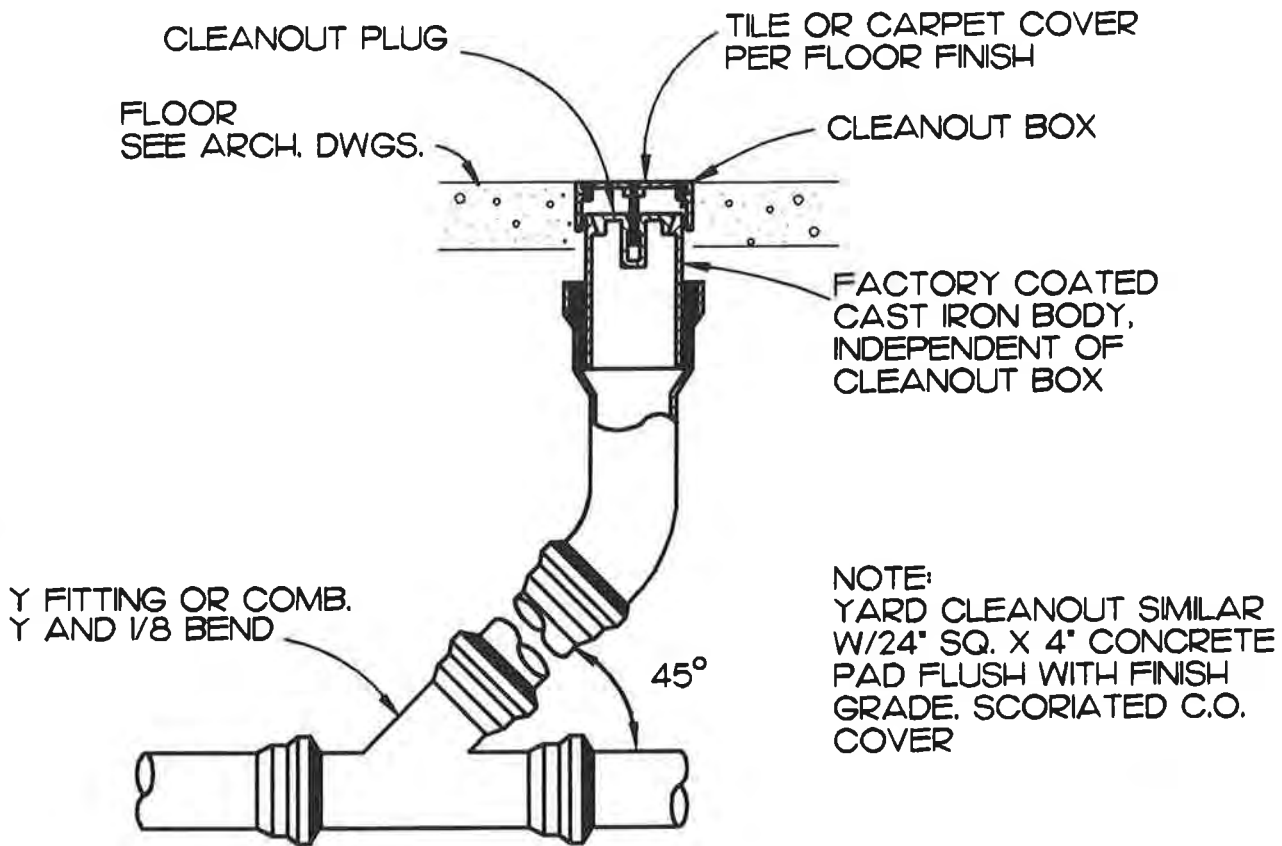


Unalaska Library

CROSS REF:
NONE

DETAIL NUMBER:

D2-300



CLEANOUT DETAIL

SCALE: NONE

PROJECT NO.: 714.10
DRAWN BY: JLM
CHECKED BY: RLH
DATE: 4/10/98

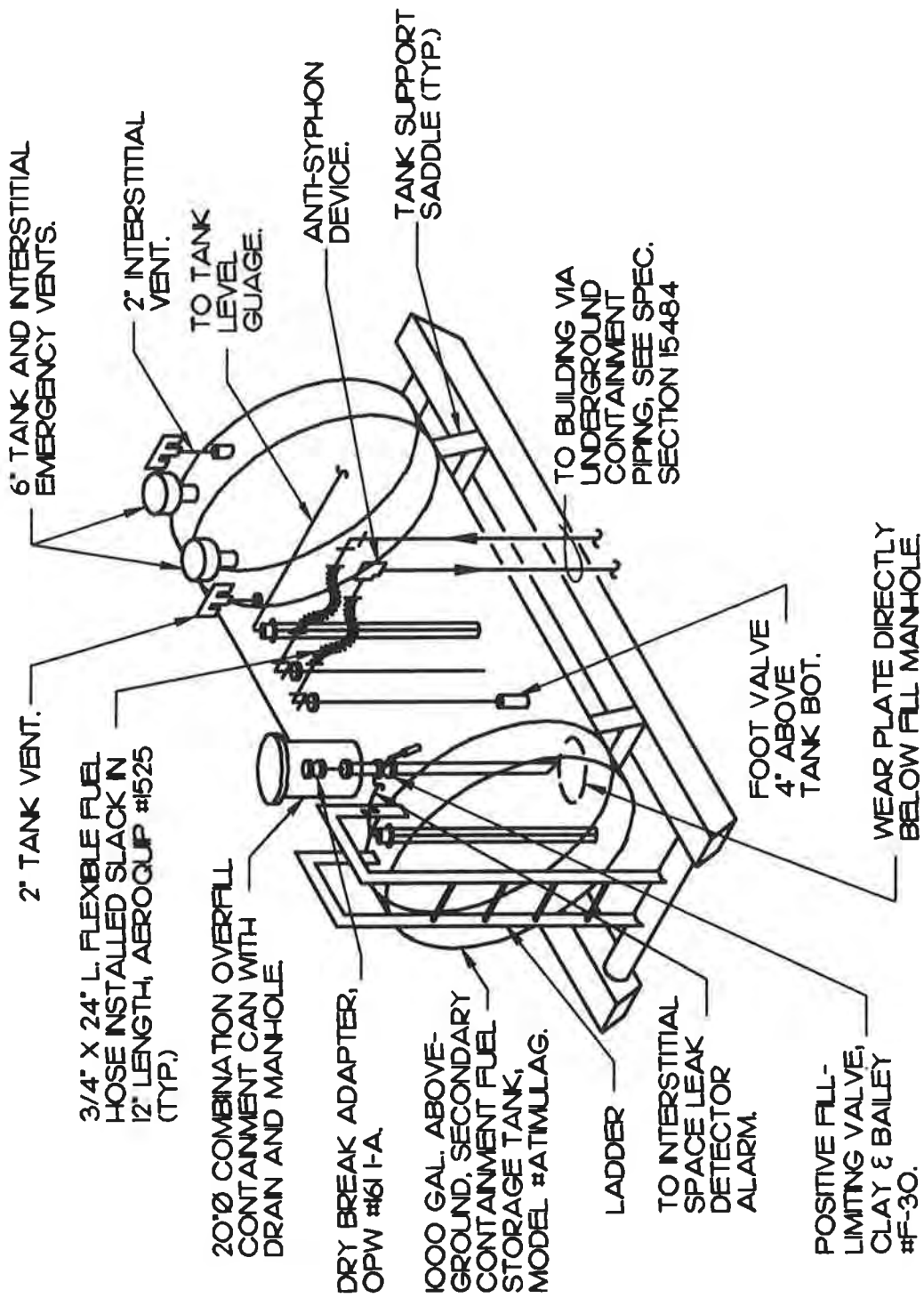
LIVINGSTON
STONE
ARCHITECTURE
ENGINEERING
PLANNING
INTERIOR DESIGN

Unalaska Library

CROSS REF:
NONE

DETAIL NUMBER:

D2-301



ABOVE GROUND FUEL TANK DETAIL

SCALE: NONE

PROJECT NO.: 714.10
 DRAWN BY: JLM
 CHECKED BY: RLH
 DATE: 4/10/98



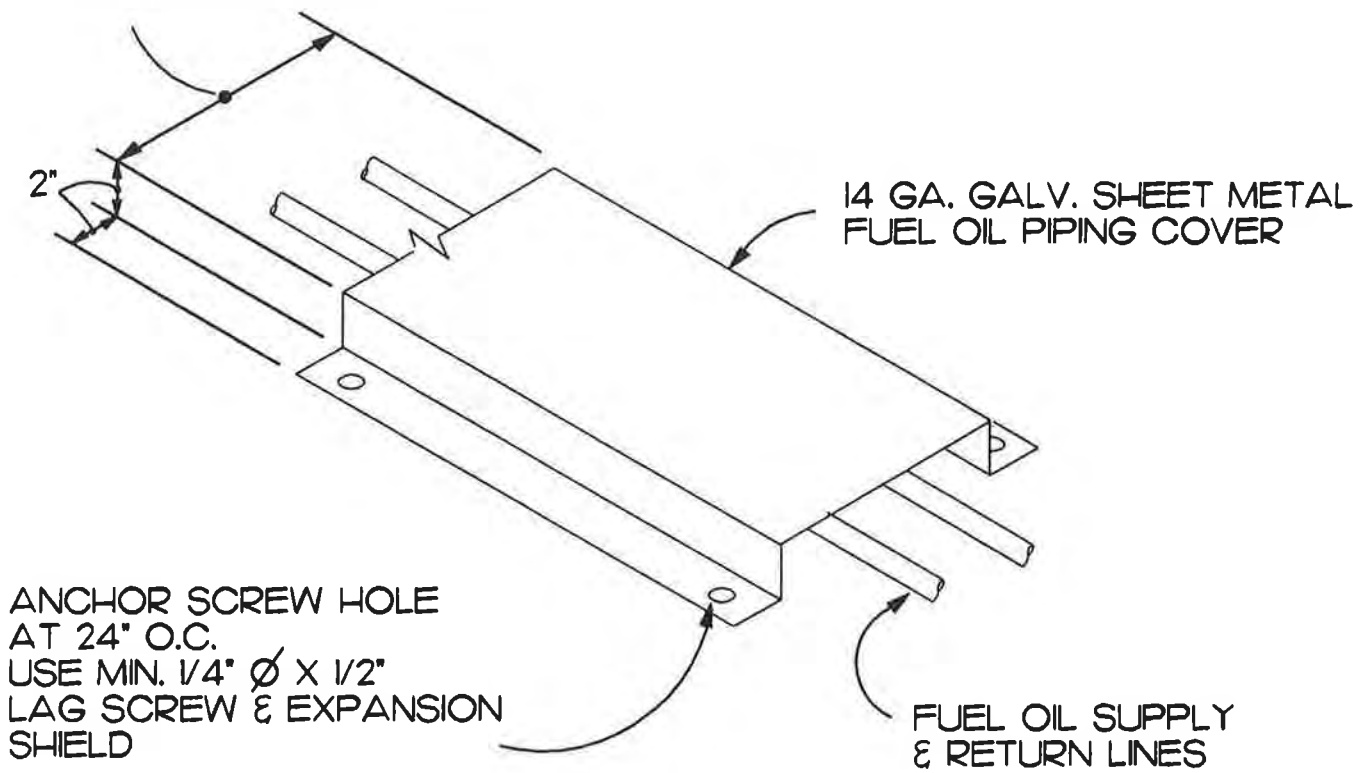
Unalaska Library

CROSS REF: NONE

DETAIL NUMBER:

D3-100

VARIES TO SUIT
NUMBER OF LINES



FUEL LINE COVER DETAIL

SCALE: NONE

PROJECT NO.: 714.10
DRAWN BY: JLM
CHECKED BY: RLH
DATE: 4/10/98

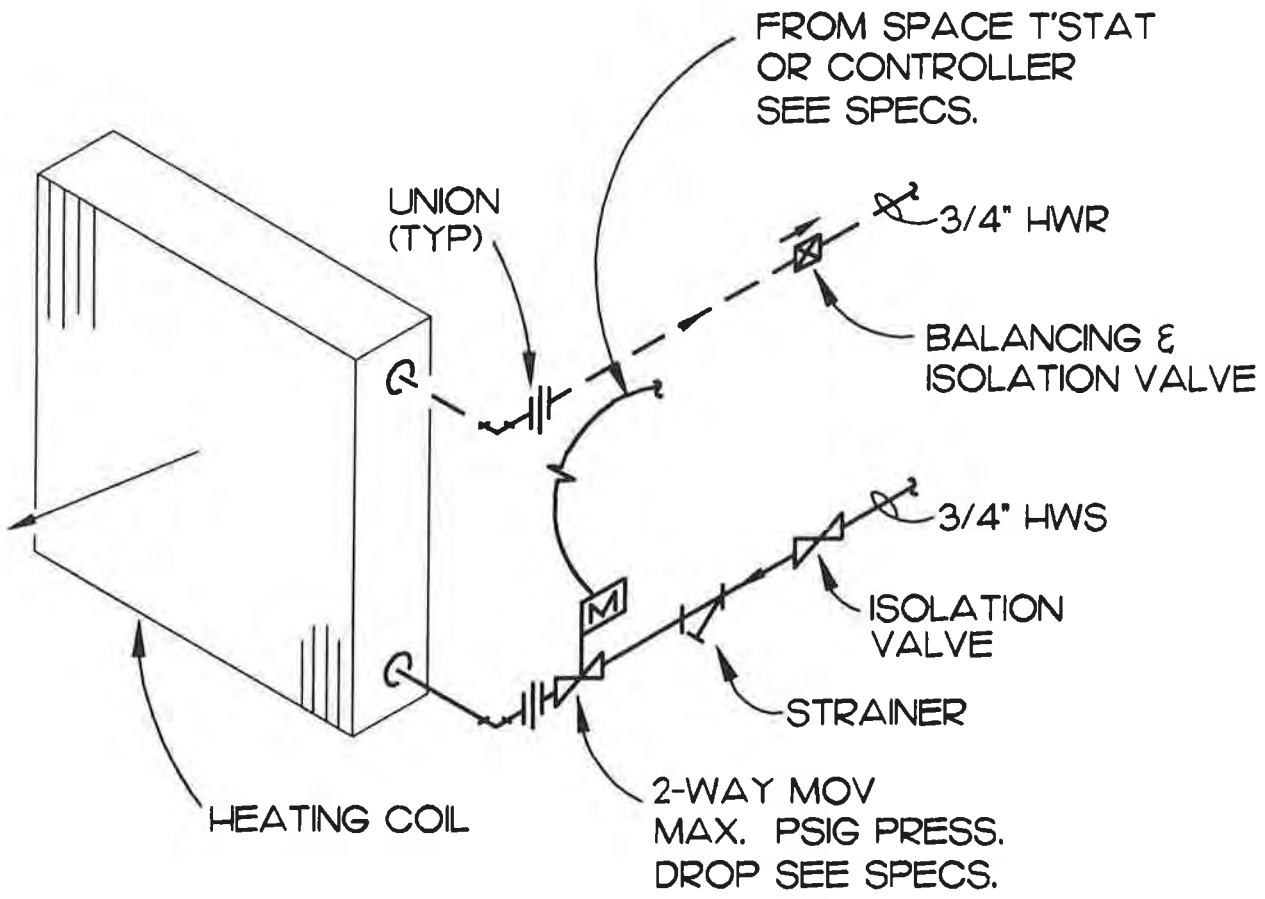
LIVINGSTON
STONE
ARCHITECTURE
ENGINEERING
PLANNING
INTERIOR DESIGN

Unalaska Library

CROSS REF:
NONE

DETAIL NUMBER:

D3-102



2-WAY VALVE COIL DETAIL

SCALE: NONE

PROJECT NO.: 714.10
 DRAWN BY: JLM
 CHECKED BY: RLH
 DATE: 4/10/98

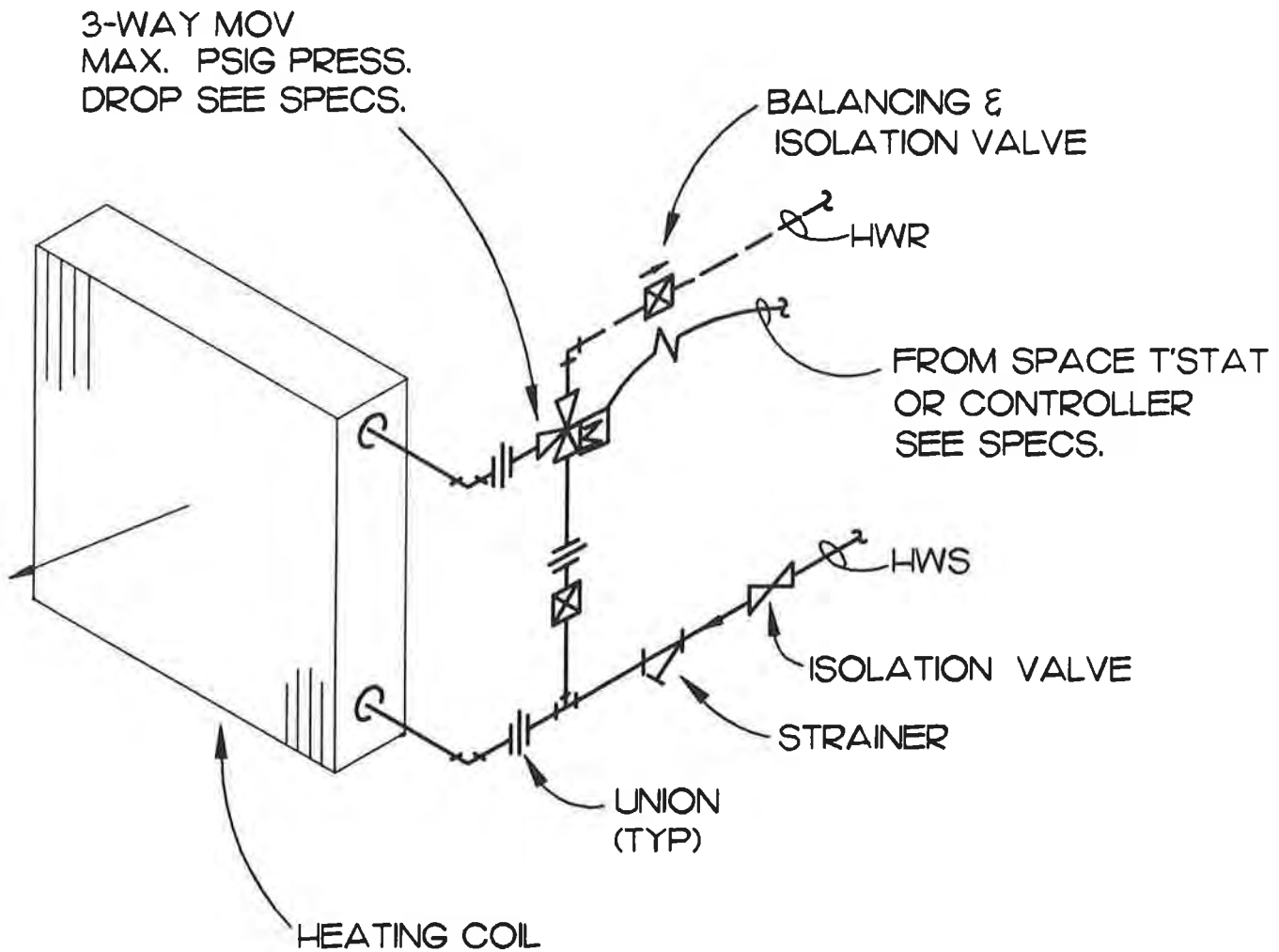


Unalaska Library

CROSS REF: NONE

DETAIL NUMBER:

D3-500



3-WAY VALVE COIL DETAIL

SCALE: NONE

PROJECT NO.: 714.10
DRAWN BY: JLM
CHECKED BY: RLH
DATE: 4/10/98

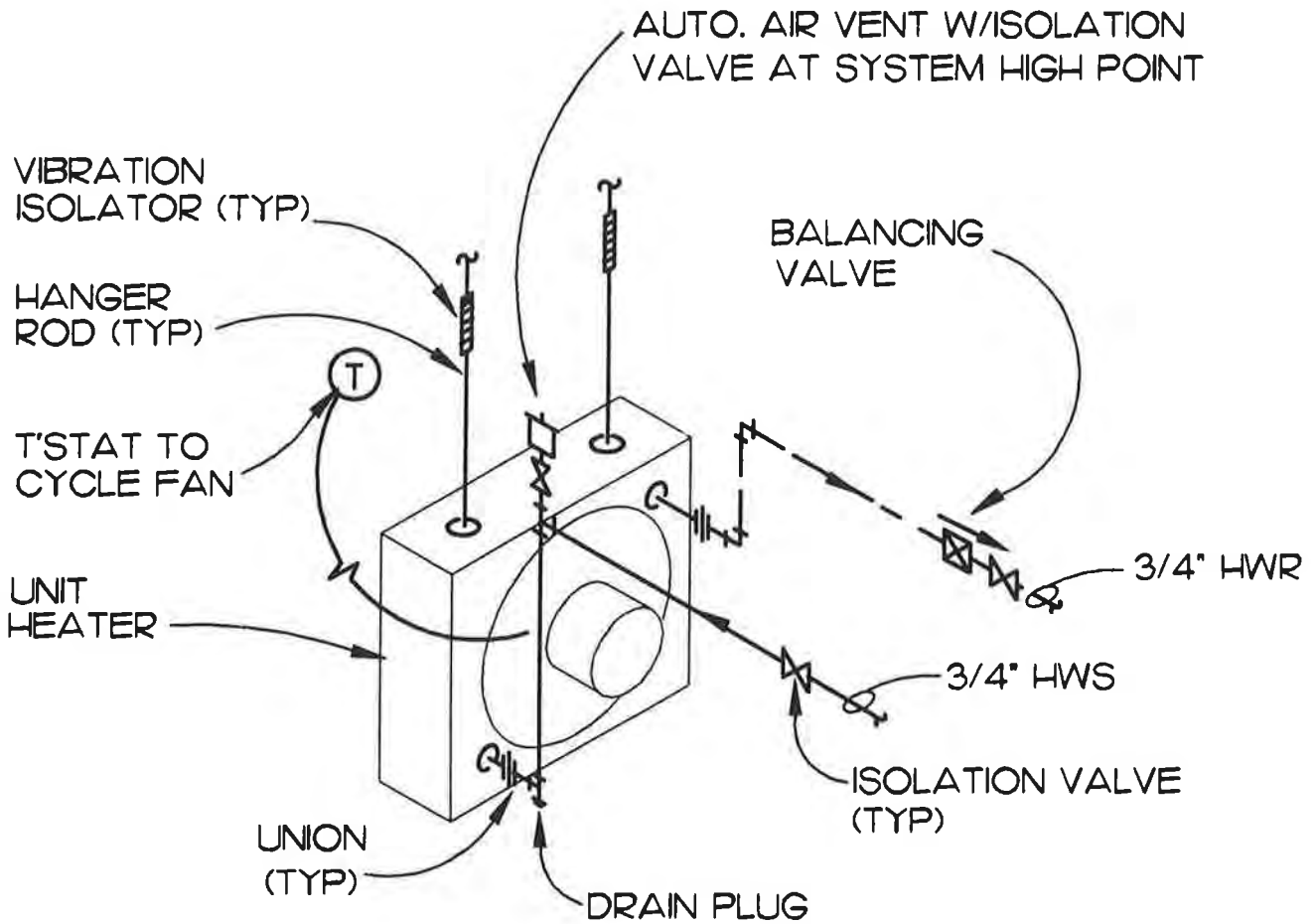
**LIVINGSTON
STONE**
ARCHITECTURE
ENGINEERING
PLANNING
INTERIOR DESIGN

Unalaska Library

CROSS REF:
NONE

DETAIL NUMBER:

D3-501



HORIZONTAL UNIT HEATER DETAIL

SCALE: NONE

PROJECT NO.: 714.10
 DRAWN BY: JLM
 CHECKED BY: RLH
 DATE: 4/10/98



Unalaska Library

CROSS REF: NONE

DETAIL NUMBER:

D3-502

VIBRATION ISOLATOR (TYP)

HANGER ROD (TYP)

T'STAT TO CYCLE FAN

T

UNION (TYP)

DRAIN PLUG

AUTO. AIR VENT W/ISOLATION VALVE AT SYSTEM HIGH POINT

BALANCING VALVE

3/4" HWR

3/4" HWS

ISOLATION VALVE (TYP.)

VERTICAL UNIT HEATER DETAIL

SCALE: NONE

PROJECT NO.: T14.10
DRAWN BY: JLM
CHECKED BY: RLH
DATE: 4/10/98

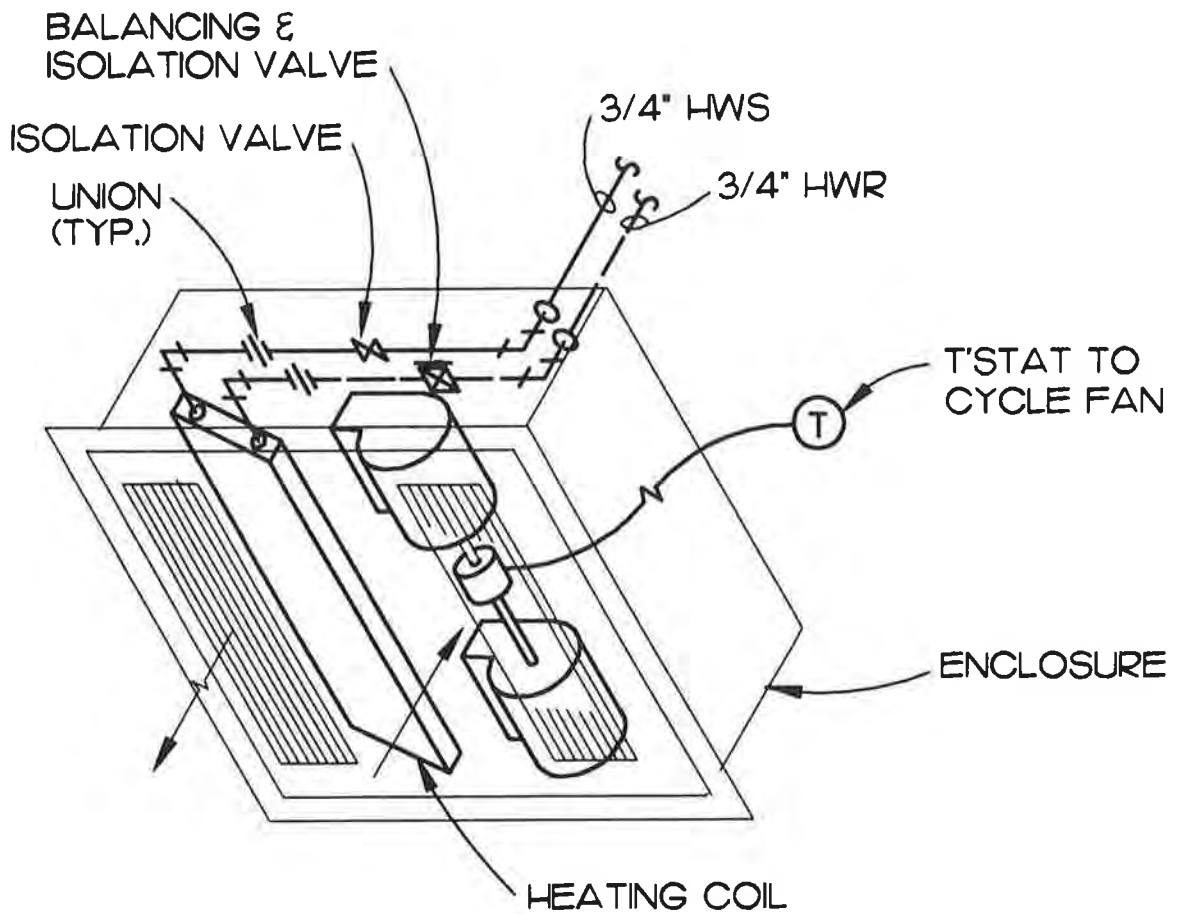


Unalaska Library

CROSS REF: NONE

DETAIL NUMBER:

D3-503



CABINET UNIT HEATER DETAIL

SCALE: NONE

PROJECT NO.: 714.10
 DRAWN BY: JLM
 CHECKED BY: RLH
 DATE: 4/10/98



Unalaska Library

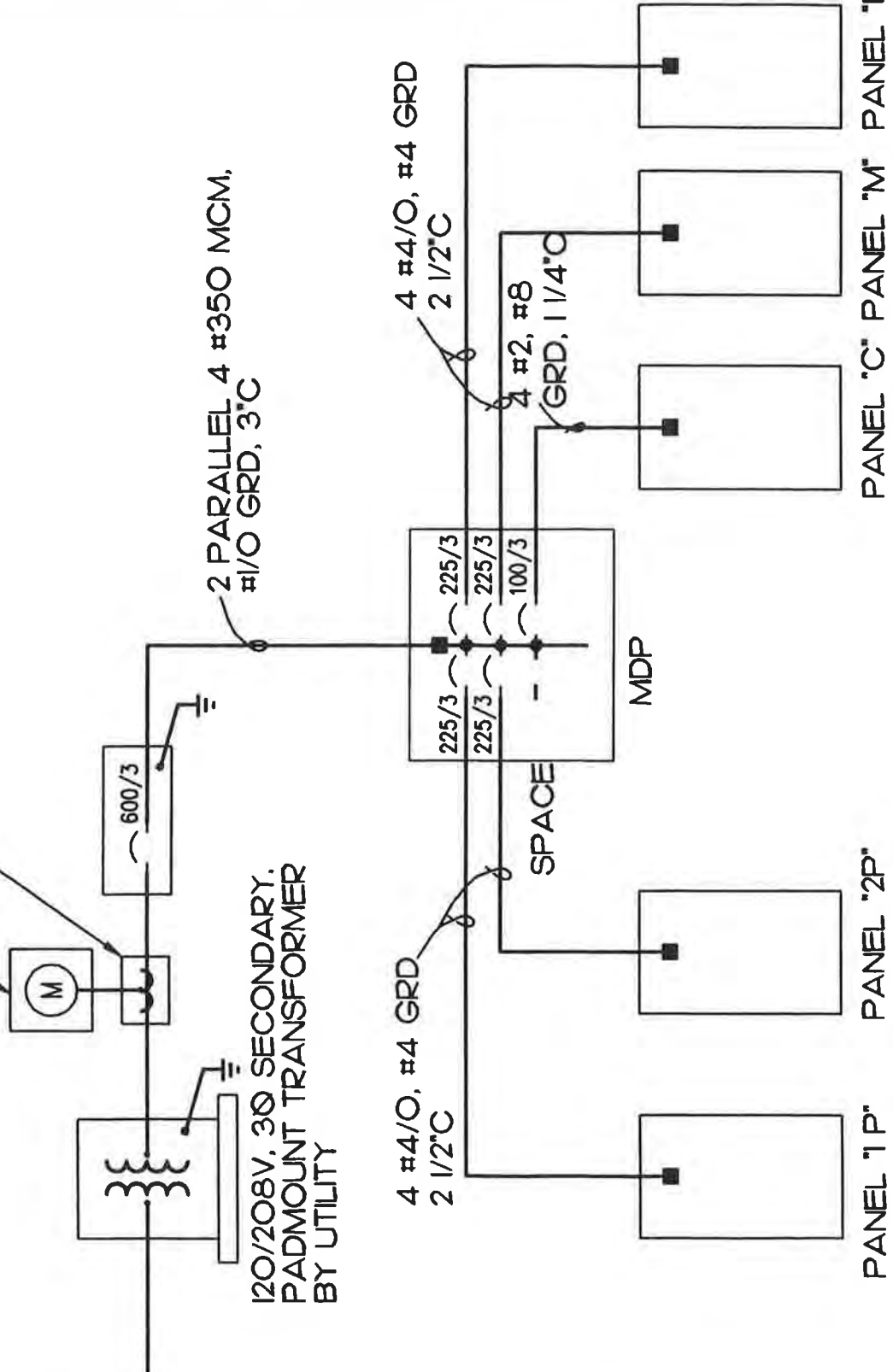
CROSS REF: NONE

DETAIL NUMBER:

D3-504

METER SOCKET PER UTILITY SPECIFICATIONS,
METER BY UTILITY

CT CAN PER UTILITY SPECIFICATIONS,
CTS BY UTILITY



ONE-LINE DIAGRAM

SCALE: 1" = 1'

PROJECT NO.: 71410
 DRAWN BY: TLC
 CHECKED BY: DJM
 DATE: 4/10/98

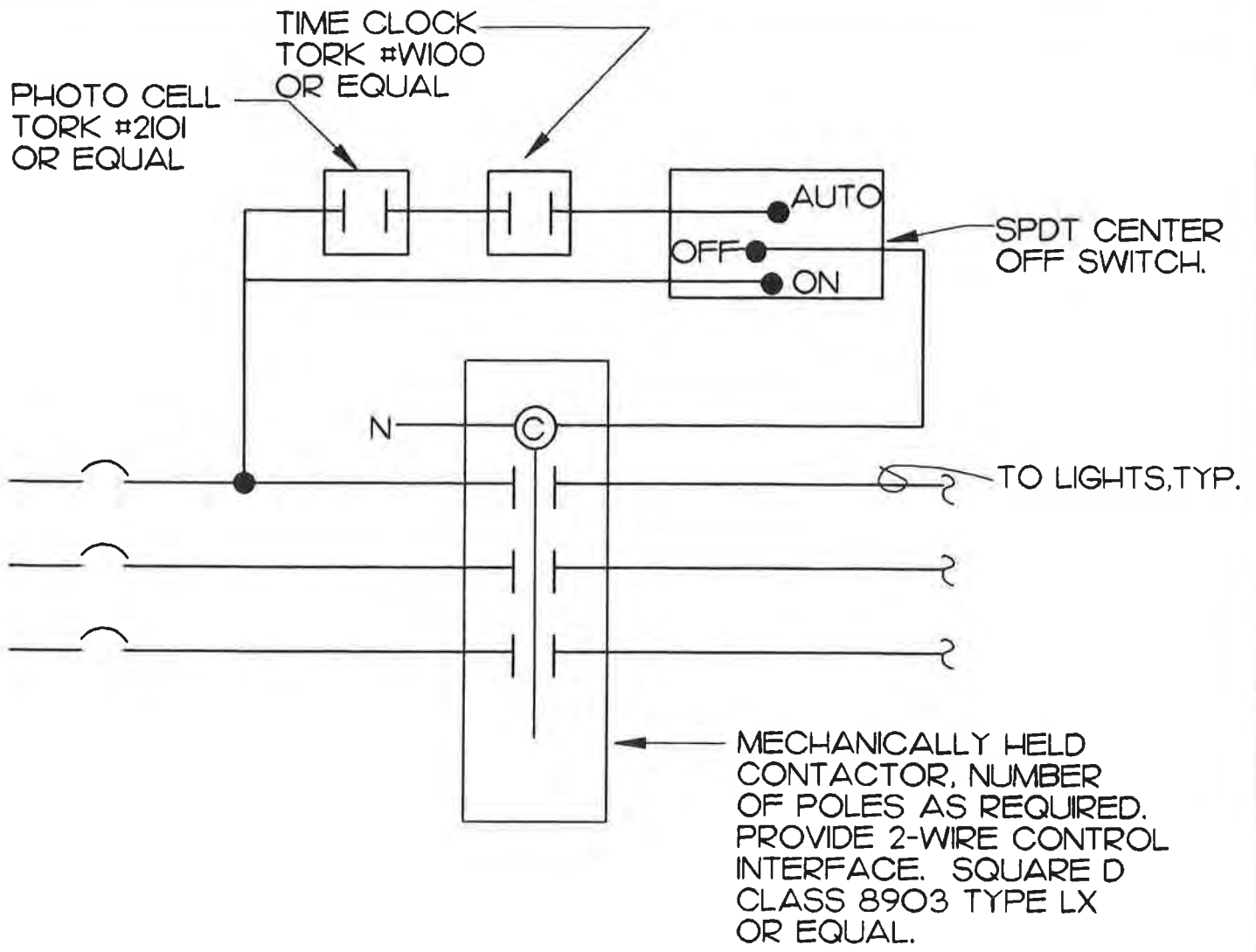


Unalaska Library

CROSS REF:
NONE

DETAIL NUMBER:

D5-100



EXTERIOR LIGHTING CONTROL DIAGRAM

SCALE: NONE

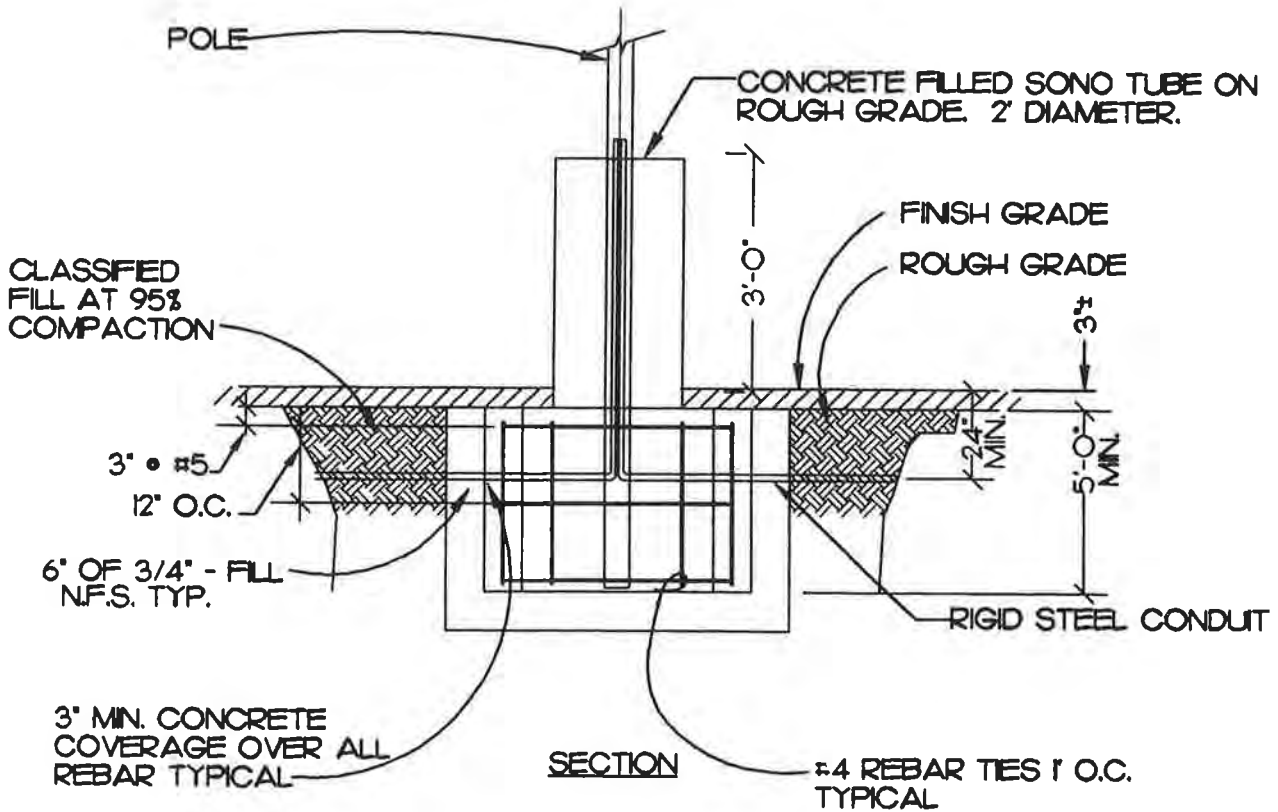
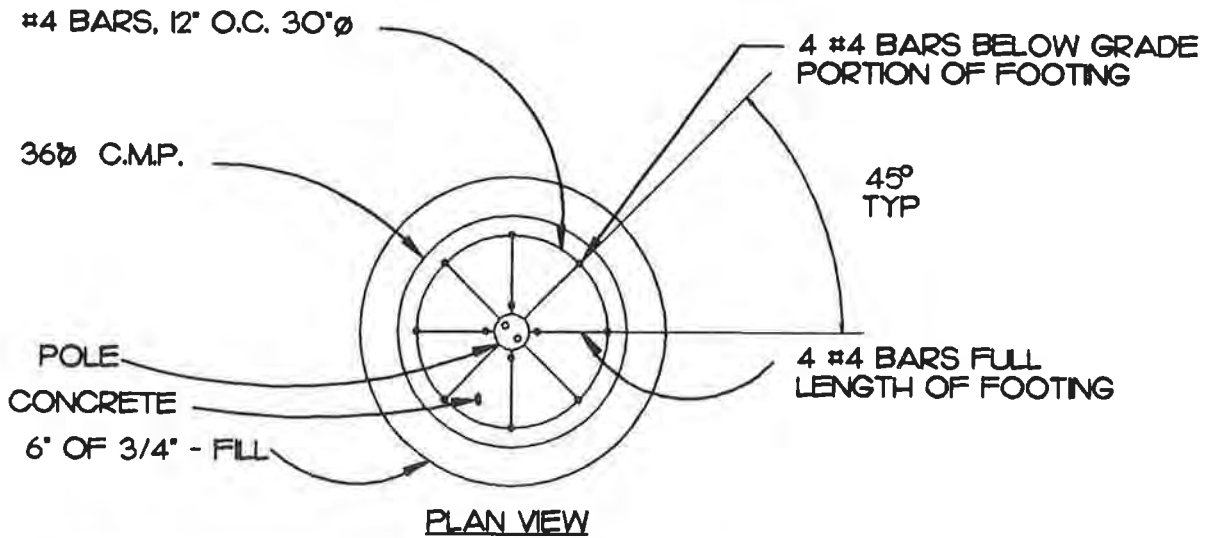
PROJECT NO.: 714.10
 DRAWN BY: DJM
 CHECKED BY: DJM
 DATE: 4/10/98



Unalaska Library

CROSS REF:
NONE

DETAIL NUMBER:
D5-200



POLE BASE DETAIL

SCALE: NONE

PROJECT NO.: 71410
 DRAWN BY: TLC
 CHECKED BY: DJM
 DATE: 4/10/98

LIVINGSTON
STONE
 ARCHITECTURE
 ENGINEERING
 PLANNING
 INTERIOR DESIGN

Unalaska Library

CROSS REF:
NONE

DETAIL NUMBER:

G5-300